

CIDRW SYSTEM

# V640 SERIES

USER'S MANUAL

AMPLIFIER UNITS

V640-HAM11-ETN-V2

V640-HAM11-L-ETN-V2

CIDRW HEADS

V640-HS61

V640-HS62

# Introduction

---

Thank you for purchasing the V640-series CIDRW System.

Please observe the following points when operating the V640-series CIDRW System:

- Allow the CIDRW System to be installed and operated only by qualified specialist with a sufficient knowledge of electrical systems.
- Please read and understand the contents of this manual before using the system.
- After reading this manual, store it in a convenient location for easy reference whenever necessary.

<b>Introduction</b>	Table of Contents/Precautions in Using the Products
<b>SECTION 1</b>	Product Outline
<b>SECTION 2</b>	Installation and Connections/Wiring
<b>SECTION 3</b>	Preparing for Communications
<b>SECTION 4</b>	Reading from/Writing to ID Tags
<b>SECTION 5</b>	Browser Interface
<b>SECTION 6</b>	Troubleshooting
<b>SECTION 7</b>	Appendix

## **CIDRW System**

V640-HAM11-ETN-V2	Amplifier Unit
V640-HAM11-L-ETN-V2	Amplifier Unit
V640-HS61	CIDRW Head
V640-HS62	CIDRW Head

## **User's Manual**

## **READ AND UNDERSTAND THIS DOCUMENT**

Please read and understand this document before using the products. Please consult your OMRON representative if you have any questions or comments.

## **WARRANTY**

OMRON's exclusive warranty is that the products are free from defects in materials and workmanship for a period of one year (or other period if specified) from date of sale by OMRON.

OMRON MAKES NO WARRANTY OR REPRESENTATION, EXPRESS OR IMPLIED, REGARDING NON-INFRINGEMENT, MERCHANTABILITY, OR FITNESS FOR PARTICULAR PURPOSE OF THE PRODUCTS. ANY BUYER OR USER ACKNOWLEDGES THAT THE BUYER OR USER ALONE HAS DETERMINED THAT THE PRODUCTS WILL SUITABLY MEET THE REQUIREMENTS OF THEIR INTENDED USE. OMRON DISCLAIMS ALL OTHER WARRANTIES, EXPRESS OR IMPLIED.

## **LIMITATIONS OF LIABILITY**

OMRON SHALL NOT BE RESPONSIBLE FOR SPECIAL, INDIRECT, OR CONSEQUENTIAL DAMAGES, LOSS OF PROFITS OR COMMERCIAL LOSS IN ANY WAY CONNECTED WITH THE PRODUCTS, WHETHER SUCH CLAIM IS BASED ON CONTRACT, WARRANTY, NEGLIGENCE, OR STRICT LIABILITY.

In no event shall responsibility of OMRON for any act exceed the individual price of the product on which liability is asserted.

IN NO EVENT SHALL OMRON BE RESPONSIBLE FOR WARRANTY, REPAIR, OR OTHER CLAIMS REGARDING THE PRODUCTS UNLESS OMRON'S ANALYSIS CONFIRMS THAT THE PRODUCTS WERE PROPERLY HANDLED, STORED, INSTALLED, AND MAINTAINED AND NOT SUBJECT TO CONTAMINATION, ABUSE, MISUSE, OR INAPPROPRIATE MODIFICATION OR REPAIR.

## **SUITABILITY FOR USE**

THE PRODUCTS CONTAINED IN THIS DOCUMENT ARE NOT SAFETY RATED. THEY ARE NOT DESIGNED OR RATED FOR ENSURING SAFETY OF PERSONS, AND SHOULD NOT BE RELIED UPON AS A SAFETY COMPONENT OR PROTECTIVE DEVICE FOR SUCH PURPOSES. Please refer to separate catalogs for OMRON's safety rated products.

OMRON shall not be responsible for conformity with any standards, codes, or regulations that apply to the combination of products in the customer's application or use of the product.

At the customer's request, OMRON will provide applicable third party certification documents identifying ratings and limitations of use that apply to the products. This information by itself is not sufficient for a complete determination of the suitability of the products in combination with the end product, machine, system, or other application or use.

The following are some examples of applications for which particular attention must be given. This is not intended to be an exhaustive list of all possible uses of the products, nor is it intended to imply that the uses listed may be suitable for the products:

- Outdoor use, uses involving potential chemical contamination or electrical interference, or conditions or uses not described in this document.
- Nuclear energy control systems, combustion systems, railroad systems, aviation systems, medical equipment, amusement machines, vehicles, safety equipment, and installations subject to separate industry or government regulations.
- Systems, machines, and equipment that could present a risk to life or property.

Please know and observe all prohibitions of use applicable to the products.

NEVER USE THE PRODUCTS FOR AN APPLICATION INVOLVING SERIOUS RISK TO LIFE OR PROPERTY WITHOUT ENSURING THAT THE SYSTEM AS A WHOLE HAS BEEN DESIGNED TO ADDRESS THE RISKS, AND THAT THE OMRON PRODUCT IS PROPERLY RATED AND INSTALLED FOR THE INTENDED USE WITHIN THE OVERALL EQUIPMENT OR SYSTEM.

## **PERFORMANCE DATA**

Performance data given in this document is provided as a guide for the user in determining suitability and does not constitute a warranty. It may represent the result of OMRON's test conditions, and the users must correlate it to actual application requirements. Actual performance is subject to the OMRON Warranty and Limitations of Liability.

## **CHANGE IN SPECIFICATIONS**

Product specifications and accessories may be changed at any time based on improvements and other reasons.

It is our practice to change model numbers when published ratings or features are changed, or when significant construction changes are made. However, some specifications of the product may be changed without any notice. When in doubt, special model numbers may be assigned to fix or establish key specifications for your application on your request. Please consult with your OMRON representative at any time to confirm actual specifications of purchased products.

## **DIMENSIONS AND WEIGHTS**

Dimensions and weights are nominal and are not to be used for manufacturing purposes, even when tolerances are shown.

## **ERRORS AND OMISSIONS**

The information in this document has been carefully checked and is believed to be accurate; however, no responsibility is assumed for clerical, typographical, or proofreading errors, or omissions.

## **PROGRAMMABLE PRODUCTS**

OMRON shall not be responsible for the user's programming of a programmable product, or any consequence thereof.

## **COPYRIGHT AND COPY PERMISSION**

This document shall not be copied for sales or promotions without permission.

This document is protected by copyright and is intended solely for use in conjunction with the product. Please notify us before copying or reproducing this document in any manner, for any other purpose. If copying or transmitting this document to another, please copy or transmit it in its entirety.

## Safety Precautions

- Definition of Precautionary Information

The following notation and alert symbols are used in this User's Manual to provide precautions required to ensure safe usage of a V640-series CIDRW System. The safety precautions that are provided are extremely important to safety. Always read and heed the information provided in all safety precautions.

The following signal words are used in this manual.



Indicates a potentially hazardous situation which, if not avoided, will result in minor or moderate injury, or may result in serious injury or death. Additionally there may be significant property damage.

- Meanings of Alert Symbols

	<p>Prohibition</p> <p>Indicates general prohibitions for which there is no specific symbol.</p>
	<p>Execute</p> <p>Indicates an action of a non-specific, general user.</p>

- WARNING



### Anti-virus protection

Install the latest commercial-quality antivirus software on the computer connected to the control system and maintain to keep the software up-to-date.



### Security measures to prevent unauthorized access

Take the following measures to prevent unauthorized access to our products.

- Install physical controls so that only authorized personnel can access control systems and equipment.
- Reduce connections to control systems and equipment via networks to prevent access from untrusted devices.
- Install firewalls to shut down unused communications ports and limit communications hosts and isolate control systems and equipment from the IT network.
- Use a virtual private network (VPN) for remote access to control systems and equipment.
- Adopt multifactor authentication to devices with remote access to control systems and equipment.
- Set strong passwords and change them frequently.
- Scan virus to ensure safety of USB drives or other external storages before connecting them to control systems and equipment.



**Data input and output protection**

Validate backups and ranges to cope with unintentional modification of input/output data to control systems and equipment.

- Checking the scope of data
- Checking validity of backups and preparing data for restore in case of falsification and abnormalities
- Safety design, such as emergency shutdown and fail-soft operation in case of data tampering and abnormalities

**Data recovery**

Backup data and keep the data up-to-date periodically to prepare for data loss.



When using an intranet environment through a global address, connecting to a SCADA or an unauthorized terminal such as an HMI or to an unauthorized server may result in network security issues such as spoofing and tampering. You must take sufficient measures such as restricting access to the terminal, using a terminal equipped with a secure function, and locking the installation area by yourself.



When constructing an intranet, communication failure may occur due to cable disconnection or the influence of unauthorized network equipment. Take adequate measures, such as restricting physical access to network devices, by means such as locking the installation area.



When using a device equipped with the SD Memory Card function, there is a security risk that a third party may acquire, alter, or replace the files and data in the removable media by removing the removable media or unmounting the removable media. Please take sufficient measures, such as restricting physical access to the Controller or taking appropriate management measures for removable media, by means of locking the installation area, entrance management, etc., by yourself.



## Precautions for Safe Use

Please observe the following precautions for safe use of the products.

- Never use the product in an environment where combustible or explosive gas is present.
- Please separate from a high-pressure equipment and the power equipment to secure the safety of the operation and maintenance.
- In the installation, please tighten the screw surely. (Recommended 1.2N·m)
- Please do not insert foreign bodies such as water and the wires from the space of the case.
- Please do not dismantle, repair or modify this product.
- Please process as industrial waste when you abandon this product.
- When you work on wiring and put on and take off cables, CIDRW head, please perform it after switching off this product.
- Provide enough space around this product for ventilation.
- Please avoid installing this product near the machinery (a heater, a transformer, large-capacity resistance) that has high the calorific value. When you felt abnormality to this product, and having switched it off.

---

Confirm the effects of radio waves on medical devices. The following guideline is from JAISA (Japan Automatic Identification Systems Association).

This product is a reader-writer that uses radio waves for RFID equipment. The application and location of this product may affect medical devices. The following precaution must be observed in the application of the product to minimize the effects on medical devices. Any person with an implanted medical device must keep the area where the device is implanted at least 22 cm away from the antenna of a stationary or modular RFID device.



## Precautions for Correct Use

Please observe the following precautions to prevent failure to operate, malfunctions, or undesirable effects on product performance.

### ■ About installation Site

Do not install this product in the locations subject to the following conditions.

- Place where direct sunshine strikes.
- Place with corroded gas, dust, metallic powder, and salinity.
- Place with condensation due to rapid temperature fluctuations.
- Place with condensation due to high humidity.
- Place where vibration and impact more than being provided by specification are transmitted directly to main body.
- Place with spray of water, oil, and chemical medicine.
- The working temperature is within the range stipulated in the specifications.

### ■ About depositoty Site

- Please follow the save ambient temperature / humidity, and keep this product.

### ■ About wiring

- Use the power supply voltage specified in this cocument.
- Ensure correct polarity when connecting to the +/- power supply terminals.
- Do not run high-voltage lines and power lines though the same conduit.
- To avoid static-induced failure, wear a wrist band or equivalent means to release a static charge before touching a terminal or a signal line within a connector.
- When you put on and take off a CIDRW head, please do not add excessive power to a connector.
- Please connect the correct CIDRW head to the amplifier unit.

### ■ About cleaning

- Use alcohol to clean this product.
- Never use an organic solvent such as thinner, benzene, acetone or kerosene, as it will attack resin components or case coating.

### ■ Power and Graound Cables

- Use an appropriate ground. An insufficient ground can affect this product operation or result in damage to this product.

### ■ About the communication range and time


- Do the communication test with Transponder in the installation environment because the metal, noise and ambient temperature around CIDRW head damage to the communication range and time.
- Install CIDRW head and ID tag in the appropriate distance because the communication range can change by the difference of ID tag specifications.

### ■ About mounting

- This product communicates with ID Tags using the 134 kHz frequency band. Some transceivers, motors, monitoring equipment, and power supplies (power supply ICs) generate electrical waves

(noise) that interfere with communications with ID Tags, If you are using the product in the vicinity of any of these devices, check the effect on communications in advance.

- In order to minimize the effects of noise, ground nearby metal bodies with a grounding resistance not exceeding 100 ohms.
- When mounting CIDRW Heads, tighten the screws tightly.(Recommended 0.6N·m)
- When multiple CIDRW Heads are mounted next to each other, communications performance could be impaired by mutual interference. Read and follow the information in this manual on mutual interference when installing multiple heads.

 Refer to page 121.

### ■ Screw Locking Adhesive

- Screw locking adhesive (screw lock) may cause deterioration and cracking of resin parts; do not use it for screws in resin parts or anywhere where resin washers are used.

### ■ Startup Precaution

Never turn OFF the power supply while the CIDRW Controller is starting, including when power is turned ON, when the mode is changed, or when the CIDRW Controller is being reset. Doing so may damage the CIDRW Controller.

### ■ Application Precaution

Never turn OFF the power supply while setting the IP address, subnet mask, or Web password. Doing so may damage the Amplifier Unit.

### ■ About Transponder and RF module made by Texas Instruments Co.

- (1) We can't warrant the specifications of the communication with Transponder and RF module.
- (2) When the RF module is at fault, we can't analyze the RF module.

### ■ The characteristics of the V640-HAM11(-L)-ETN / V640-HAM11(-L)-ETN-V2

It is a circuit, designed to communicate characteristics match, but because it is intended to carry out the communication with RF module and the transponder, can not be guaranteed.

# Reading this Manual

---

## Visual Aids



Indicates an explanation of a point that must be observed to ensure that the product is capable of its proper functions and performance. Read this information carefully and follow the cautions. If the product is used incorrectly, data or the equipment itself could be destroyed.



CHECK!

Indicates summaries of points of particular importance relating to product performance, e.g., points to note during operation and advice on how to use the product.



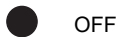
Indicates the number of a page where related information can be found.



Indicates information for reference when you encounter a problem.

## Indicator Status

The following symbols are used to show the status of the indicators on the CIDRW Controller and Amplifier Units.



OFF



Flashing



ON



# Table of Contents

## Introduction

Safety Precautions	4
Precautions for Safe Use	6
Precautions for Correct Use	7
Reading this Manual	9
Table of Contents	11

## SECTION 1 Product Outline 13

What Is a CIDRW System	14
Features	15
System Configuration	16
Component Names and Functions	17
Flowchart for Getting Started	22

## SECTION 2 Installation and Connections/Wiring 25

Installation	26
Connections and Wiring	29

## SECTION 3 Preparing for Communications 33

Set the IP address on the computer	34
Setting the Communications Conditions for Amplifier Units	35
Communications Test	39

## SECTION 4 Reading from/Writing to ID Tags 41

Command/Response Format	42
-------------------------	----

## SECTION 5 Browser Interface 59

Browser Operation Windows	60
Window Configuration	61

SECTION 6 Troubleshooting	75
Troubleshooting	76
Cannot Display the Web Browser Operation Window	82
SECTION 7 Appendix	91
Specifications and Dimensions	92
Connection Examples	96
Characteristic Data According to Conditions of Use	97
ID Tag Memory Maps	127
Regular Inspection	128
ASCII Code Table	129
Protective Construction	130
Index	132
Revision History	136

# SECTION 1

## Product Outline

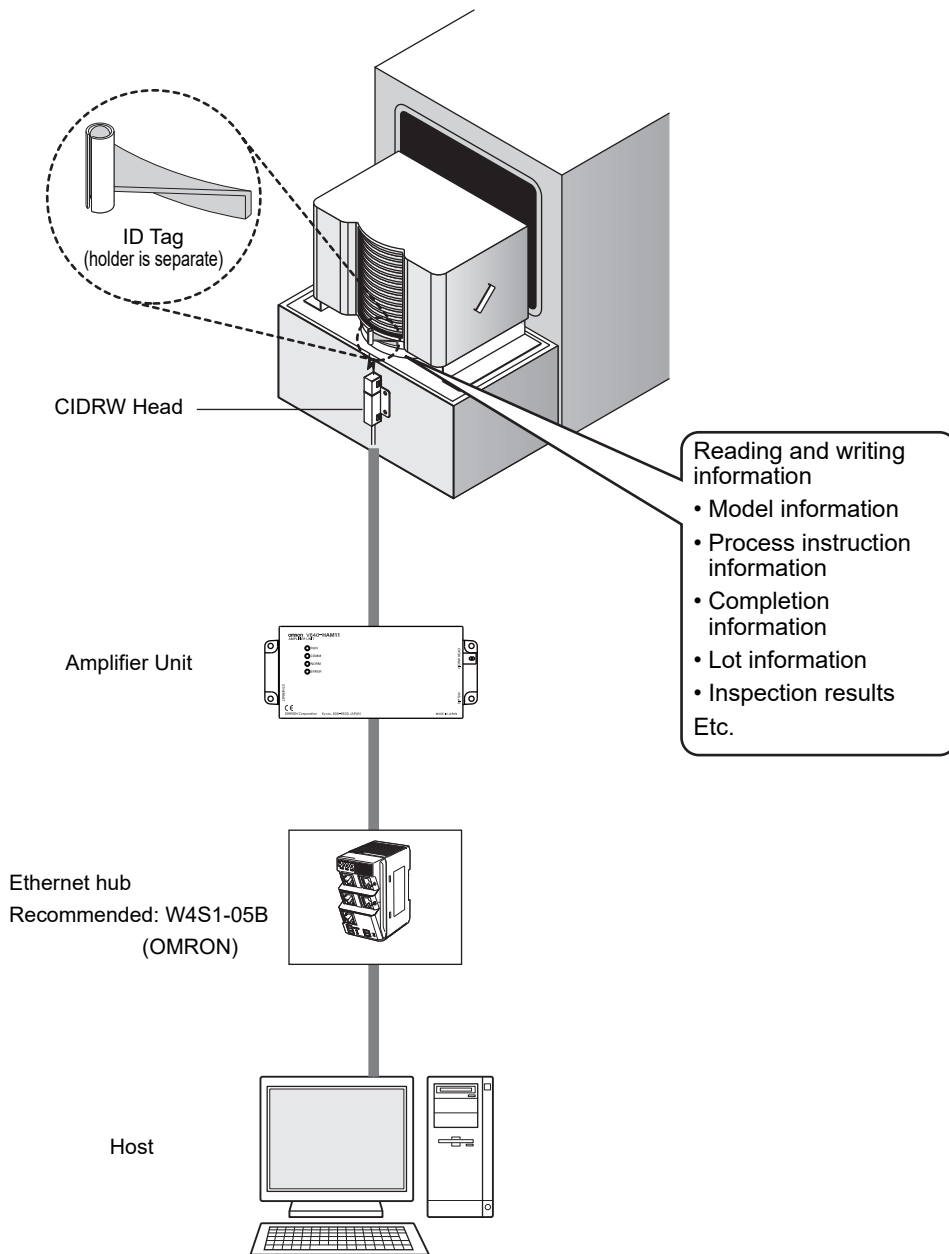
❖ What Is a CIDRW System	14
❖ Features	15
❖ System Configuration	16
❖ Component Names and Functions	17
❖ Flowchart for Getting Started	22

# What Is a CIDRW System

The CIDRW system writes data to, and reads data from, the carrier IDs (ID Tags) mounted on the carriers (FOUP) in semiconductor manufacturing processes without contacting these ID Tags. CIDRW is the abbreviation of Carrier ID Reader/Writer and this abbreviation is used throughout this manual.

Reading and writing information such as models, process instructions, lots, and inspection results to and from ID Tags makes it possible to manage work instruction information from a host device.

Example: Management of information in semiconductor and wafer manufacturing processes





# Features

---

A V640-series CIDRW Head can be connected to a V640-HAM11-ETN-V2 or V640-HAM11-L-ETN-V2 Amplifier Unit to read and write ID Tags manufactured by Texas Instruments (TI). Reading and writing is performed according to commands from the host device.

## ■ V640-HAM11-ETN-V2

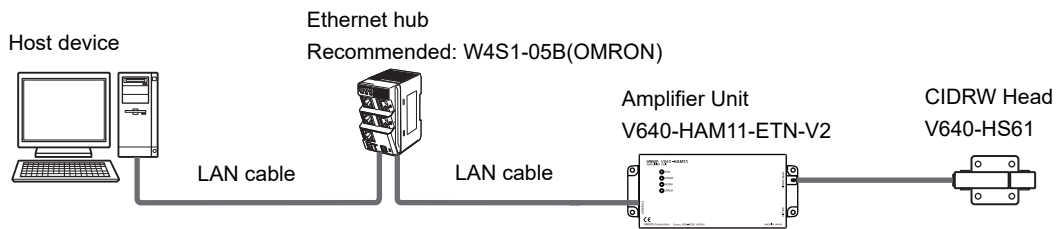
The V640-HAM11-ETN-V2 Amplifier Unit is equipped with Ethernet. The host device is connected through a LAN cable and controls the Amplifier Units using TCP/IP. The Amplifier Units provide a Web browser function that allows communications to be set and status to be managed using simple command communications.

## ■ V640-HAM11-L-ETN-V2

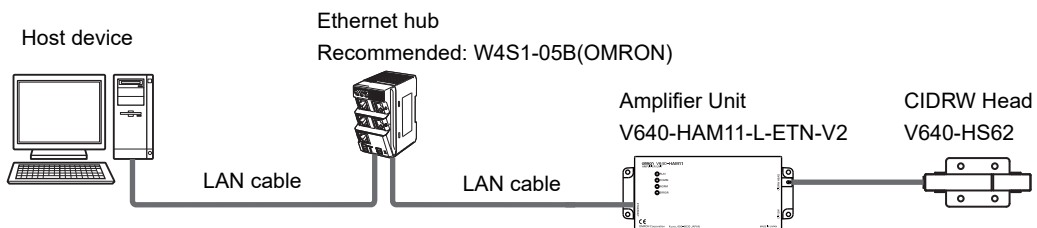
The V640-HAM11-L-ETN-V2 Amplifier Unit is equipped with Ethernet and can be connected to a V640-HS62 CIDRW Head to perform long-distance communications. The functions of the V640-HAM11-L-ETN-V2 Amplifier Unit are the same as those of the V640-HAM11-ETN-V2 Amplifier Unit.

# System Configuration

## V640-HAM11-ETN-V2



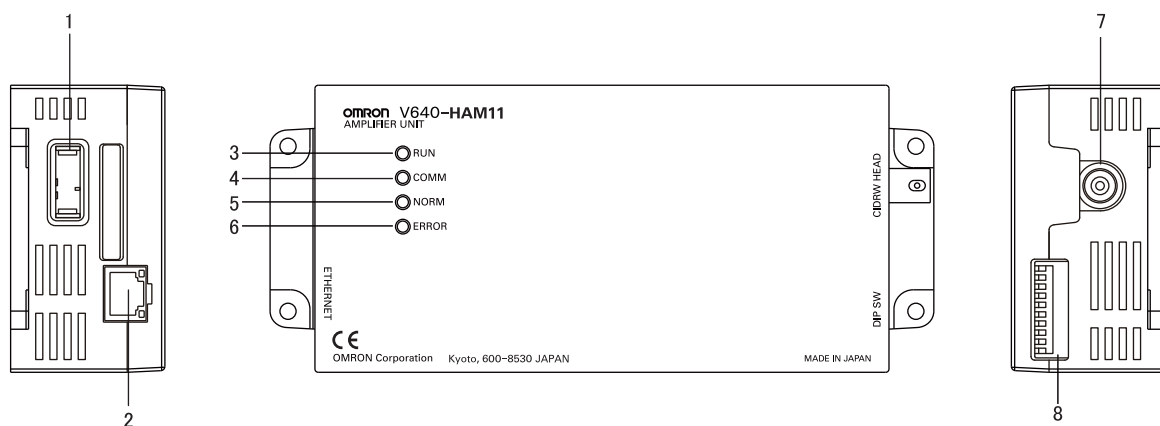
## V640-HAM11-L-ETN-V2



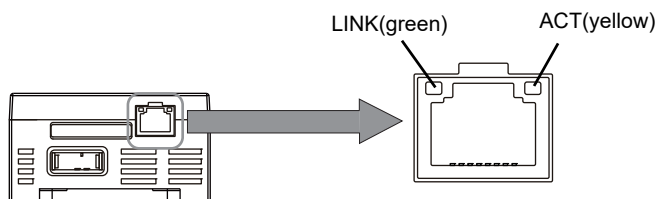
CHECK! If the IP address is set on the DIP switch, it will be in the form 192.168.1.□□□. The subnet mask is always 255.255.255.0. The IP address of the Amplifier Unit can be either set on this DIP switch or the desired IP address can be set in ROM. If pins 1 to 5 on the DIP switch are all turned OFF, the IP address that is set in ROM will be used.

# Component Names and Functions

## V640-HAM11-ETN-V2 and V640-HAM11-L-ETN-V2 Amplifier Units



No.	Name	Function
1	Dedicated power supply connector	Connect to the 24 VDC power supply.
2	Ethernet port	Connect to the host device through a LAN cable.
3	RUN indicator (green)	Turns ON when the Amplifier Unit is in normal operation.
4	COMM indicator (yellow)	Turns ON during communications with the host device or during communications with an ID Tag.
5	NORM indicator (green)	Turns ON when the communications finish with no error.
6	ERROR indicator (red)	Turns ON when an error occurs during communications with the host device, or during communications with an ID Tag.
7	CIDRW Head connection port	A CIDRW Head is connected here. The V640-HS61 CIDRW Head is used with the V640-HAM11-ETN-V2. The V640-HS62 CIDRW Head is used with the V640-HAM11-L-ETN-V2.
8	Setting DIP switches	Set the IP address and enable/disable the Test Mode with this DIP switch.




LINK---lights while linking normally.  
ACT---lights when detects a carrier.

■ Functions


• NOISE MEASUREMENT

The levels of noise in the vicinity of the CIDRW Head are measured and the noise level is expressed numerically in the range "00" to "99".

 Refer to page 55, page 126.

• Detecting for CIDRW Head status

You can confirm if the CIDRW Head is connected to the Amplifier Unit correctly.

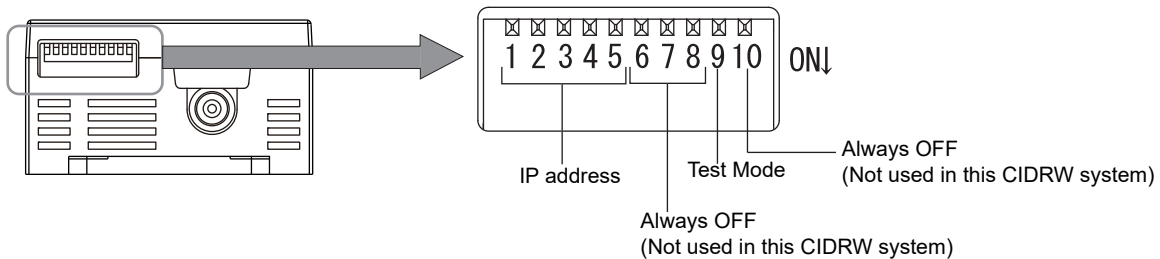
 Refer to page 53.

• Test Mode


Test Mode can be used to check communications between the ID Tags and Amplifier Units without connecting a host device. Communications with ID Tags are automatically performed every second and the communications results are displayed on the OPERATING indicator.

Set the Test Mode using the DIP switches on the side face of the Amplifier Unit.


After changing the DIP switch settings, restart the system. The new settings will not become effective until the system is restarted.




Test Mode	DIP-SW	Description
	9	
Enabled	ON	Set the Test Mode and then restart the Amplifier Unit to make the setting effective.
Disabled	OFF	

 Refer to *V640-HAM11-ETN-V2 and V640-HAM11-L-ETN-V2 Amplifier Units* for information on the OPERATING indicator for communications results.

CHECK!  Refer to page 17.

 Always connect the CIDRW Head before operating the Amplifier Unit in Test Mode. If Test Mode is used without connecting a CIDRW Head, the ERROR indicator will light and Amplifier Unit operation will stop.

CHECK!

 Commands from the host device are not accepted during operation in Test Mode. To end Test Mode, turn OFF the Test Mode pin on the DIP switch and restart the Amplifier Unit.

CHECK!

- **Browser Interface**

You can confirm the status of the Amplifier Unit or control the Amplifier Unit by using Browser Interface. You can...

- confirm the status of the Amplifier Unit
- set the Network Settings and Web Password
- communicate with ID tags
- measure the levels of noise

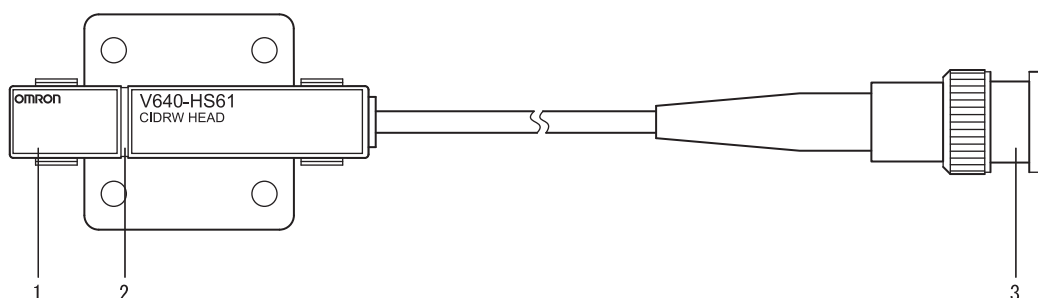


Refer to page 59.

MEMO

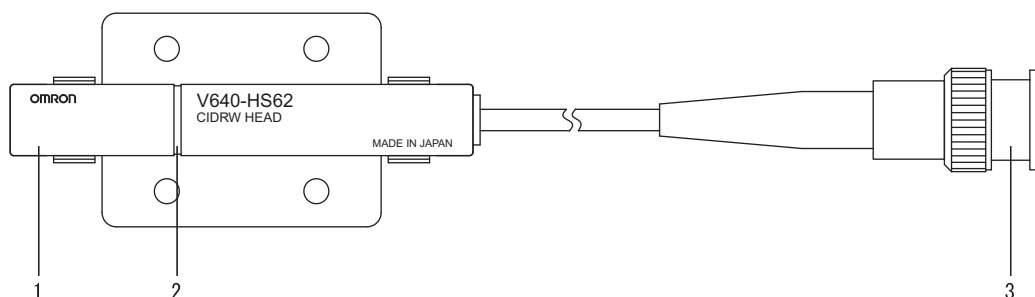
## V640-HS61 and V640-HS62 CIDRW Heads

### ■ V640-HS61



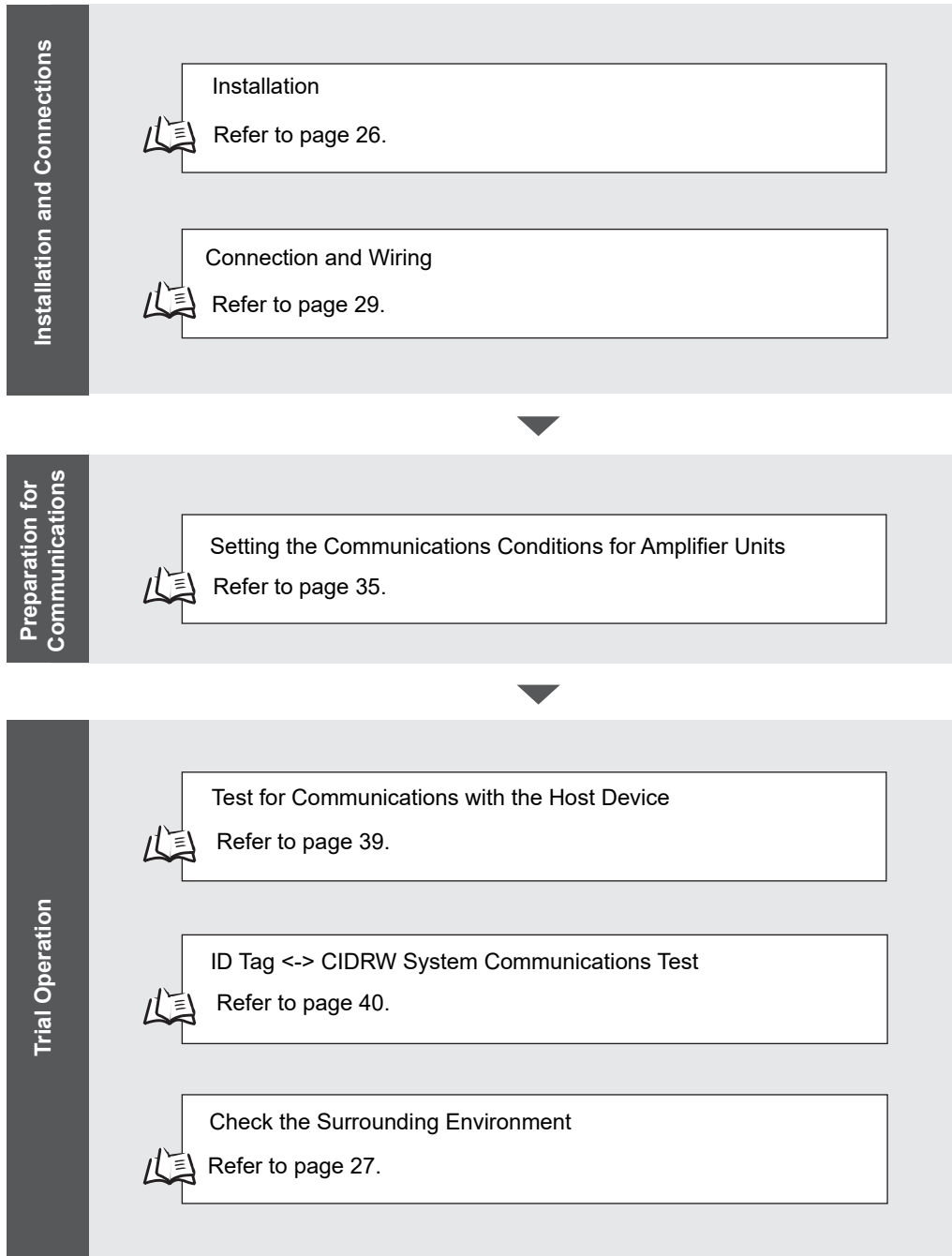
No.	Name	Function
1	Antenna	Used to communicate with ID Tags.
2	Antenna center	This is the center of the communications area.
3	Connector	Connect to an Amplifier Unit.

### ■ V640-HS62




No.	Name	Function
1	Antenna	Used to communicate with ID Tags.
2	Antenna center	This is the center of the communications area.
3	Connector	Connect to an Amplifier Unit.

# Flowchart for Getting Started





 Communications Test with Actual Commands  
Refer to page 42.



When you Encounter a Problem...

Troubleshooting



Refer to page 76. List of Error Messages



Refer to page 76. Amplifier Unit Indicators



Refer to page 77. Operation Check Flowchart

MEMO

# SECTION 2

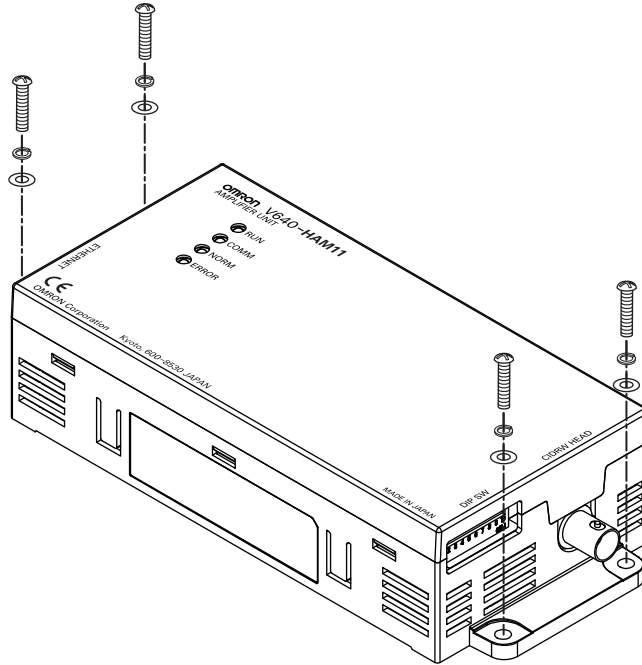
## Installation and Connections/Wiring

☒ Installation	26
Amplifier Unit	26
CIDRW Head	27
☒ Connections and Wiring	29
Amplifier Unit	29

# Installation

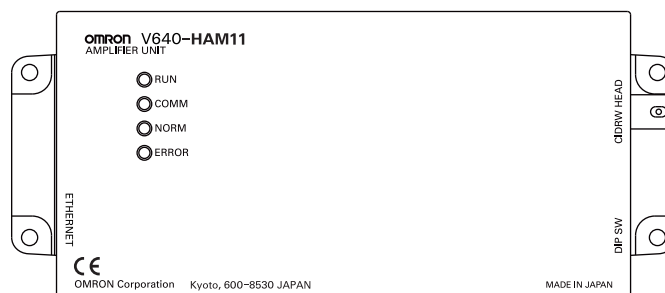
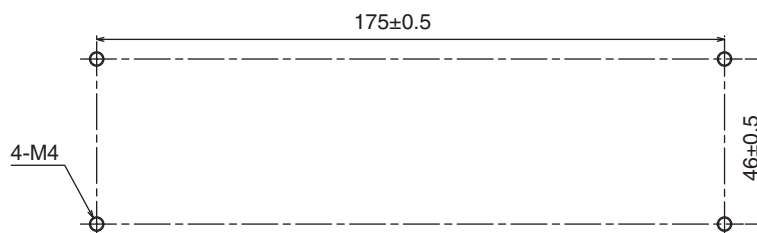
## Amplifier Unit

Use spring washers and flat washers with the four M4 screws when mounting the Amplifier Unit.



Mounting dimensions

(Unit: mm)



**NOTICE**

Tighten the M4 screws with a torque not exceeding 1.2 N·m.

## CIDRW Head

The area for communications with ID Tags varies substantially according to the installation orientations and the background conditions (metals, noise, etc.). Check the communications area before deciding the installation position.

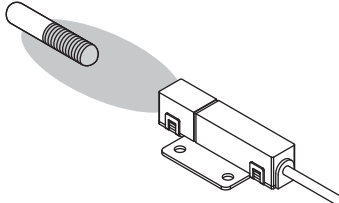
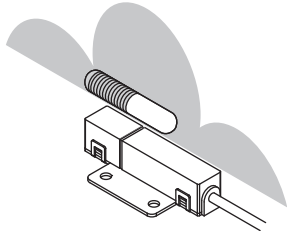
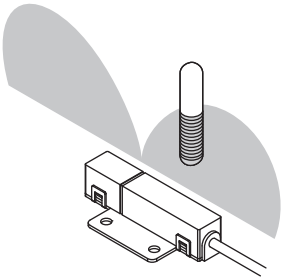
For details on actual communications distances, see *Characteristic Data depending on Conditions of Use* in *Appendix*.



Refer to page 97.

### Positional Relationship between the CIDRW Head and the ID Tag

The communications area differs according to the positional relationship during communications.

Mounting orientation	Communications area (purely illustrative)	Explanation
Coaxial		The maximum communications area is obtained when the center lines of the CIDRW Head and the ID Tag coincide.
Parallel		The maximum communications area is obtained when the center point of the antenna on the CIDRW Controller is aligned with the center line of the ID Tag.
Vertical		When the center point of the antenna on the CIDRW Head is aligned with the center line of the ID Tag, the communications area is substantially reduced.

### Data Reading and Writing

The communications distances for reading and writing are not the same; the distance is shorter for writing. Therefore, when data is to be both read and written, take the distance for writing as the reference distance when installing the CIDRW Head and the ID Tag.

### ■ Influence of Background Metal on ID Tag

Metals in the vicinity of the communications area will affect the range, making it smaller.



Refer to page 122.

### ■ Influence of Noise

This CIDRW system uses a frequency of 134 kHz for communications with ID Tags. Equipment such as switching power supplies, inverters, servomotors, or monitors in the surrounding area will adversely affect communications, restricting the communications area.

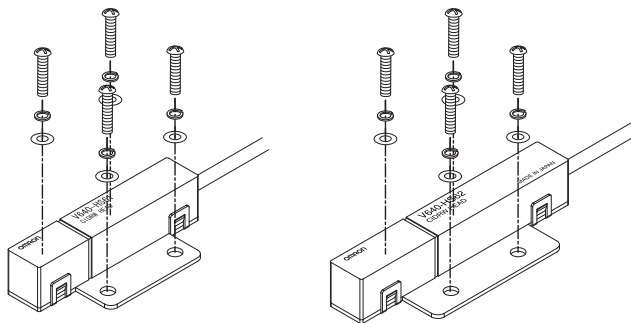


The noise levels in the vicinity of the CIDRW Head can be determined with the environmental NOISE MEASUREMENT command (applies only when SECS is not used) Refer to page 49.

For details on the relationship between noise and communications distance, see *Appendix* Refer to page 126.

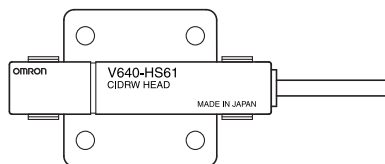
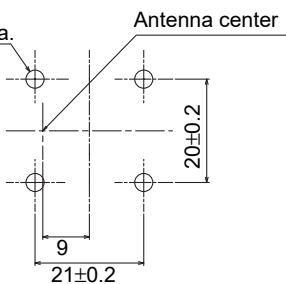
### ■ Mounting

Use spring washers and flat washers with the four M3 screws when mounting a CIDRW Head.



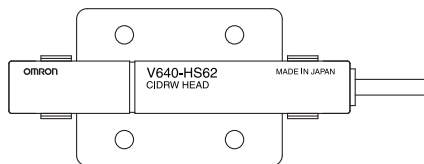
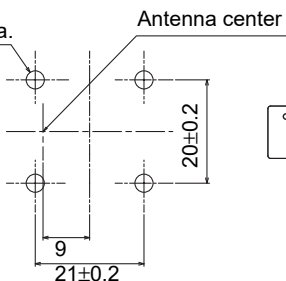
Mounting dimensions

4-M3 OR 3.5 dia.



(Unit: mm)

4-M3 OR 3.5 dia.



\*The mounting dimensions are same between V640-HS61 and V640-HS62.

**NOTICE**

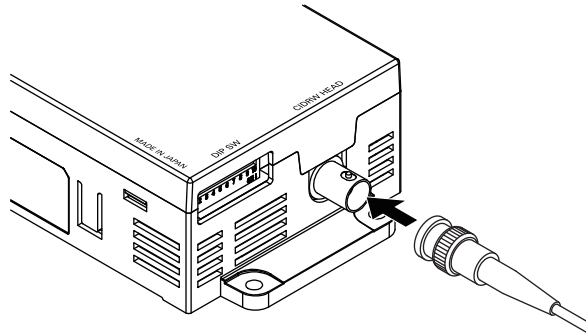
Tighten the M3 screws with a torque not exceeding 0.6 N·m.

# Connections and Wiring

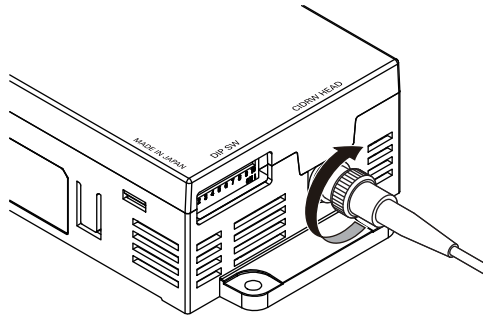
## Amplifier Unit

### ■ Connector for Connecting a CIDRW Head

1. Align the pin on the connector with the channel in the cable connector and insert the cable connector.  
Hold the fixed part of the connector while making this insertion.



2. After inserting the connector fully home, turn the fixed part clockwise to lock it.

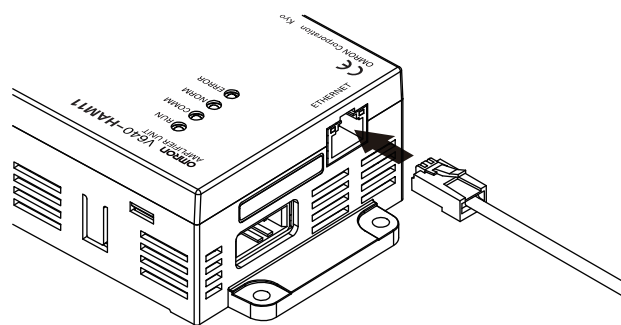


CHECK!

Disconnecting the CIDRW head.  
Please pull it straight out after turn a connector counterclockwise and removing a lock.  
If it is difficult to pull the connector out , press down on the Amplifier Unit while pulling on the connector.  
Please do not pull a cable forcibly.

■ Ethernet Connector

1. Hold the connector on the cable and insert it into the Ethernet connector on the Amplifier Unit.

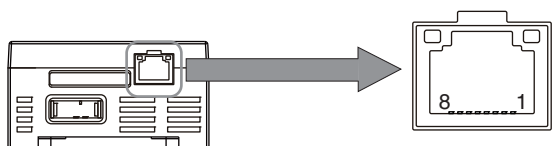


Press in the connector until it locks in place when connecting the Amplifier Unit to Ethernet, including when connecting it to a hub.

CHECK!

• Connector

The Amplifier Unit provides an auto-MDIX function that enables communications by connecting either a cross LAN cable or straight LAN cable.



Pin No.	Signal name	Description	I/O
1	TX_D+	Send data +	Output
2	TX_D-	Send data -	Output
3	RX_D+	Receive data +	Input
4	-	-	-
5	-	-	-
6	RX_D-	Receive data -	Input
7	-	-	-
8	-	-	-

**Recommended Ethernet HUB**

Manufacturer	Model	Type	Port
OMRON	W4S1-05B	switching hub	5



The shape and dimensions of plugs and jacks for Ethernet connectors are specified in ISO/IEC 8877:1992 (JIS X 5110:1996) To prevent faulty connections for connectors, the jack on the Amplifier Unit is designed so that non-standard plugs cannot be connected. If a commercially available plug cannot be connected, it may be non-standard.

CHECK!



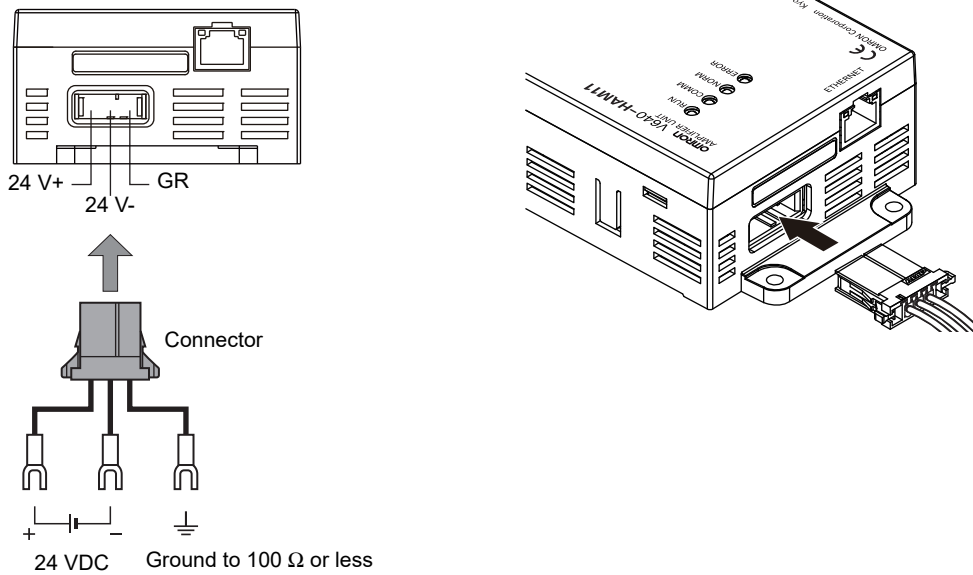
If you use a Hub in your network, please choose a Switching-type Hub (Recommended: W4S1-05B(OMRON)).

CHECK!



## ■ Power Supply and Grounding Wires

Connect the power supply and grounding wires to the dedicated power supply connector.



**NOTICE**

- The grounding wire should be connected to a ground exclusive to the Amplifier Unit. If the grounding wire is shared with another unit, or connected to a beam in a building, there may be adverse effects.
- Make the grounding point as close as possible and the length of the grounding wire used as short as possible.
- When using the Amplifier Unit in Europe, the connecting cable between the Amplifier Unit and the DC power supply must be 3 m or less.

### • Dedicated Power Supply Connector

Prepare a V640-A90 (can be purchased as an accessory).

#### Contents of the V640-A90 set (accessory)

Name	Quantity	When procured individually	
		Manufacturer	Model
Power supply connector	One	Tyco Electronics	1-178288-3
Pins for power supply connector	Three		175217-3
Connector for RS-485 port	One	Phoenix Contact	MSTB2.5/2-STF-5.08

\* "Connector for RS-485 port" is not able to use for the Amplifier Unit.

### • Dedicated Power Supply Cable

Use an AWG20 to AWG24 cable.

Use a dedicated tool for crimping the cable to the connector pins.

#### Recommended Crimping Tool

Manufacturer	Model
Tyco Electronics	919601-1

### • Power Supply

Use a power supply that satisfies the following conditions.

#### Recommended Product




Manufacturer	Model	Output current	Input voltage
OMRON	S8VS-01524	24 VDC, 650 mA	100 to 240 VAC

\*The maximum power consumption of the Amplifier Unit is 150 mA at 24 VDC(V640-HAM11-V3), 400 mA at 24 VDC(V640-HAM11-L). The inrush current, however, must be considered when selecting the power supply capacity. A power supply with an output of 650 mA min. at 24 VDC is recommended.

MEMO

# SECTION 3

## Preparing for Communications

 Set the IP address on the computer	34
 Setting the Communications Conditions for Amplifier Units	35
 Communications Test	39

## Set the IP address on the computer

The default IP addresses of the Amplifier Unit are given in the following table. Use these addresses to set the IP address on the computer.

This example changes the last part of the IP address to a value other than 200 (i.e., to 1 to 199 or 201 to 254). Values of 0 and 255 cannot be used.

### ■ Default IP Address Settings of the Amplifier Unit

Setting item	Default setting
IP address	192.168.1.200
Subnet mask	255.255.255.0

### ■ Setting the IP Address on the Computer with Windows 7/Windows 10

1. Open the Control Panel, and select **Network and Internet** and then **Network and Sharing Center**.
2. Select **Change adapter settings** and then right-click **Local Area Connection**.
3. Right-click **Local Area Connection** and select **Properties**.
4. Select **Internet Protocol Version 4(TCP/IPv4)** and then click the **Properties** Button.
5. Select the Use the following IP address Option, make the following settings, and then click the **OK** Button.  
Change the last part of the IP address to a value other than 200 (i.e., to 1 to 199 or 201 to 254).  
Values of 0 and 255 cannot be used.
6. Click the **OK** Button to close the Internet Protocol Version 4(TCP/IPv4) Properties Dialog Box.

# Setting the Communications Conditions for Amplifier Units

## Default network settings(IP Address and Subnet mask)

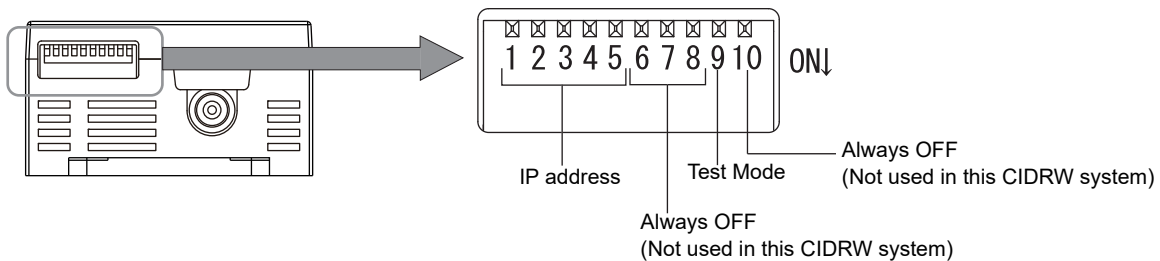
IP Address: 192.168.1.200

Subnet mask: 255.255.255.0 (Port: 7090)

- If the IP address is set on the DIP switch, it will be in the form 192.168.1.□□□. The subnet mask is always 255.255.255.0
- The IP address of the Amplifier Unit can be either set on this DIP switch or the desired IP address can be set in ROM. If pins 1 to 5 on the DIP switch are all turned OFF, the IP address that is set in ROM will be used.

## Setting the IP Address of the Amplifier Units using the DIP switches

Set the communications conditions using the DIP switches on the side face of the Amplifier Unit. After changing the DIP switch settings, restart the system. The new settings will not become effective until the system is restarted.



### IP Address

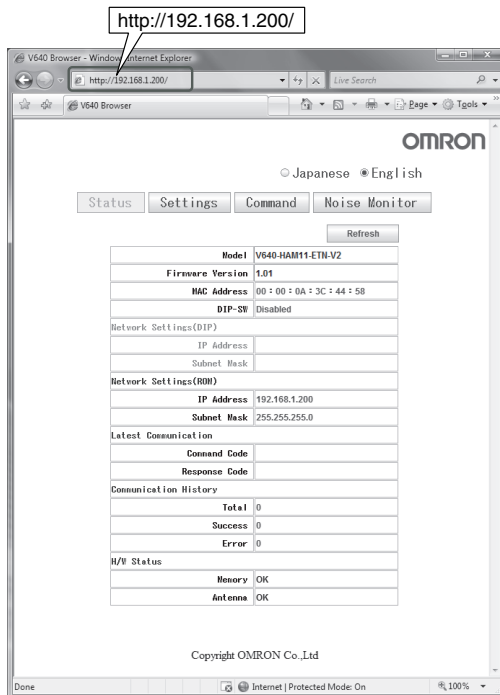
IP address	DIP switch				
	1	2	3	4	5
Setting in ROM	OFF	OFF	OFF	OFF	OFF
192.168.1.1	ON	OFF	OFF	OFF	OFF
192.168.1.2	OFF	ON	OFF	OFF	OFF
192.168.1.3	ON	ON	OFF	OFF	OFF
192.168.1.4	OFF	OFF	ON	OFF	OFF
192.168.1.5	ON	OFF	ON	OFF	OFF
192.168.1.6	OFF	ON	ON	OFF	OFF
192.168.1.7	ON	ON	ON	OFF	OFF
192.168.1.8	OFF	OFF	OFF	ON	OFF
192.168.1.9	ON	OFF	OFF	ON	OFF
192.168.1.10	OFF	ON	OFF	ON	OFF
192.168.1.11	ON	ON	OFF	ON	OFF
192.168.1.12	OFF	OFF	ON	ON	OFF
192.168.1.13	ON	OFF	ON	ON	OFF
192.168.1.14	OFF	ON	ON	ON	OFF
192.168.1.15	ON	ON	ON	ON	OFF

IP address	DIP switch				
	1	2	3	4	5
192.168.1.16	OFF	OFF	OFF	OFF	ON
192.168.1.17	ON	OFF	OFF	OFF	ON
192.168.1.18	OFF	ON	OFF	OFF	ON
192.168.1.19	ON	ON	OFF	OFF	ON
192.168.1.20	OFF	OFF	ON	OFF	ON
192.168.1.21	ON	OFF	ON	OFF	ON
192.168.1.22	OFF	ON	ON	OFF	ON
192.168.1.23	ON	ON	ON	OFF	ON
192.168.1.24	OFF	OFF	OFF	ON	ON
192.168.1.25	ON	OFF	OFF	ON	ON
192.168.1.26	OFF	ON	OFF	ON	ON
192.168.1.27	ON	ON	OFF	ON	ON
192.168.1.28	OFF	OFF	ON	ON	ON
192.168.1.29	ON	OFF	ON	ON	ON
192.168.1.30	OFF	ON	ON	ON	ON
192.168.1.31	ON	ON	ON	ON	ON

## Setting the Communications Conditions of the Amplifier Units from a Web Browser

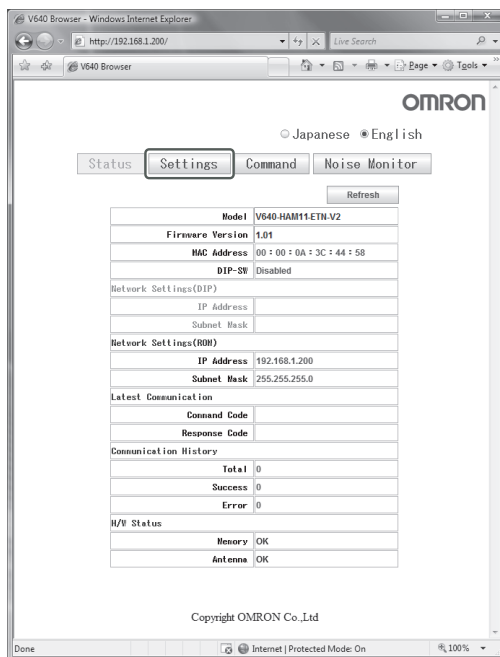
### 1. Start the Web browser.

Enter the IP address of the Amplifier Units in the address field of the Web browser to display the Browser Operation Window. Enter `http://192.168.1.200/` if you are using the default IP address.



### 2. Displays the Network Setting View.

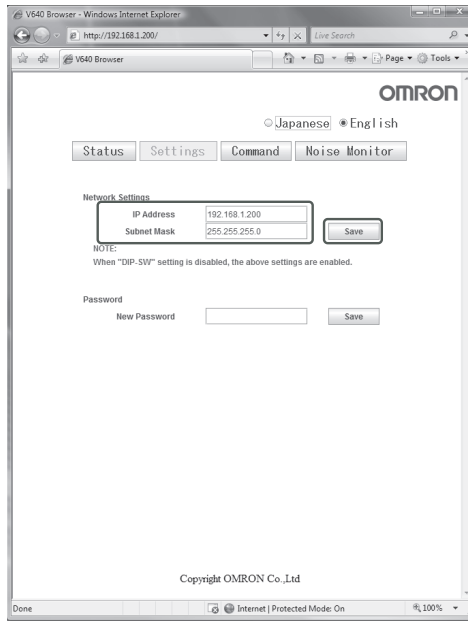
Click the **Settings** Button at the upper of the Web Browser Operation Window.



The Network settings View will be displayed.

3. Set the IP address of the Amplifier Units.

On the Network Settings View, enter the IP address, subnet mask, and then click the **Save** Button.



4. Set the pins 1 to 5 on the DIP switch for Amplifier Unit are all turned OFF.



The values are enabled when the Amplifier Unit is restarted.

CHECK!

## Setting the Communications Conditions of the Amplifier Units for Command from the Host Device

You can set the following items with a **SET NETWORK** command.

- IP address
- Subnet mask

Refer to **SET NETWORK** in *SECTION 4 Reading from/Writing to ID Tags* for the setting method for command from the host device.



Refer to page 57.



CHECK!

When changing the Communications Conditions, restart the amplifier unit.  
The values are enabled when the Amplifier Unit is restarted.



# Communications Test

## Communications Test with the Host Device

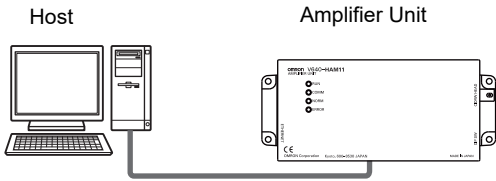
A communications test is performed to confirm that the host device and Amplifier Unit are connected correctly.



Refer to *Host Communications Specifications*.



Refer to page 93.



A test is performed for the Amplifier Unit using the data 12345678.

**Command**

Command code		Test data								CR
		Data 1		Data 2		Data 3		Data 4		
1	0	1	2	3	4	5	6	7	8	0Dh

**Response**

Response code		Test data								CR
		Data 1		Data 2		Data 3		Data 4		
0	0	1	2	3	4	5	6	7	8	0Dh



# SECTION 4

## Reading from/Writing to ID Tags

▣ Command/Response Format	42
READ	43
WRITE	44
SAME WRITE	46
BYTE WRITE	47
TEST	48
NAK	49
GET PARAMETER	49
GET LAST COMMAND	54
GET COMMUNICATIONS HISTORY	54
CLEAR COMMUNICATIONS HISTORY	55
NOISE MEASUREMENT	55
RESET	56
SET WEB PASSWORD	56
SET NETWORK	57

# Command/Response Format

## Command

Command code				Parameter				CR
				1	...	n		
								0Dh

## Response

Response code		Parameter				CR
		1	...	n		
						0Dh

## Command

### Command Code List

Name	Value	Function	See
READ	0100	When this command is received, the system communicates with the ID Tag, and reads the specified page(s) of data. Any pages up to a maximum of 16 can be selected.	p.43
WRITE	0200	When this command is received, the system communicates with the ID Tag, and writes the specified page(s) of data. Any pages up to a maximum of 16 can be selected.	p.44
SAME WRITE	0300	When this command is received, the system communicates with the ID Tag, and writes the same data in page units to the specified pages. Up to 17 pages, which is the maximum number of pages for an ID Tag, can be specified.	p.46
BYTE WRITE	0400	When this command is received the system communicates with the ID Tag, and writes data to the area specified by a first address and number of bytes. A maximum of 128 bytes can be specified.	p.47
TEST	10	Sends received data to the host device.	p.48
NAK	12	Sends the response made immediately before again.	p.49
GET PARAMETER	14	Gets the model number, MAC address, or another parameter.	p.49
GET LAST COMMAND	15	Gets the command code of the last command that was executed.	p.54
GET COMMUNICATIONS HISTORY	16	Gets the history of communications from when the power was turned ON (total number of communications, total successful communications, and total number of failed communications).	p.54
CLEAR COMMUNICATIONS HISTORY	17	Clears the communications history.	p.55
NOISE MEASUREMENT	40	Measures the noise in the vicinity of the CIDRW Head.	p.55
RESET	7F	Resets the Amplifier Unit.	p.56
SET WEB PASSWORD	A2	Sets the Web password.	p.56
SET NETWORK	A3	Sets the network.	p.57

**Response Code List**

Type	Response code	Name	Description
Normal end	00	Normal end	Command execution is completed normally.
Host communications error	14	Format error	There is a mistake in the command format. (For example, the command code is undefined, or the page or address specification is inappropriate.)
Communications error	70	Communications error	Noise or another hindrance occurs during communications with an ID Tag, and communications cannot be completed normally.
	71	Verification error	Correct data cannot be written to an ID Tag.
	72	No Tag error	Either there is no ID Tag in front of the CIDRW Head, or the CIDRW Head is unable to detect the ID Tag due to environmental factors (e.g., noise).
	7B	Outside write area error	A write operation was not completed normally because the ID Tag was in an area in which the ID Tag could be read but not written.
	7E	ID system error (1)	The ID Tag is in a status where it cannot execute command processing.
	7F	ID system error (2)	An inapplicable ID Tag has been used.
CPU hardware error	9A	Hardware error in CPU	An error occurred when writing to EEPROM.

■ **READ**

Reads any pages of data from the ID Tag. The maximum number of pages that can be read at one time is 16.

**Command**

Command code				Page designation (8 characters)												CR			
0	1	0	0																0Dh


Bit	7	-	0	7	-	3	2	1	0	7	6	-	1	0	7	6	-	2	1	0
Page	Sys	-	Sys	Sys	-	Sys	17	16	15	14	13	-	8	7	6	5	-	1	Sys	Sys
Designation	0*	0*		0*	0*	0*	0/1	0/1	0/1	0/1	0/1	...	0/1	0/1	0/1	0/1	...	0/1	0*	0*
Value	00			00 to 07						00 to FF						00 to FC				

\* Always specify 0. If you specify 1 an error (Response code: 14) will occur.

**Parameter Description**

Parameter	Description
Page designation	Pages are specified by setting the bits corresponding to pages that are to be read to 1 and setting the other bits to 0, then converting the result to a hexadecimal character string.

ID Tag Memory Maps

 Refer to page 127.

The response code (when normal: 00) and the data in the specified pages are returned in ascending order of page numbers.

**Response**

Response code	Read data																CR			
	Page n				...	Page m (n<m)														
	Data 1	...	Data 8	Data 1		...	Data 8													
0	0																			0Dh

Example: Reading Data from Pages 1 and 3 of the Amplifier Unit.

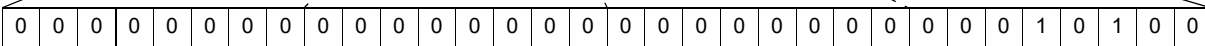
**Data Content of the ID Tag**

Page 1	12h	34h	56h	78h	90h	12h	34h	56h
Page 2								
Page 3	11h	22h	33h	44h	55h	66h	77h	88h
Page 4								

Command

Command code				Page designation								CR
0	1	0	0	0	0	0	0	0	0	1	4	0Dh

Binary notation



Response

Response code	Page 1								Page 3								CR																	
0	0	1	2	3	4	5	6	7	8	9	0	1	2	3	4	5	6	1	1	2	2	3	3	4	4	5	5	6	6	7	7	8	8	0Dh



If you send a “Read” command that specified 1 to 2 page to a 1-page only ID Tag, the Amplifier Unit will response 2nd page data as all zero.

■ WRITE

Data is written in page units to the ID Tag. Any page(s) can be specified. It is possible to write to a maximum of 16 pages at one time.

Command

Command code	Page designation (8 characters)	Write data															CR		
		Page n								Page m (n<m)									
		Data 1	...	Data 8	...	Data 1	...	Data 8											
0	2	0	0																0DH

Bit	7	-	0	7	-	3	2	1	0	7	6	-	1	0	7	6	-	2	1	0
Page	Sys	-	Sys	Sys	-	Sys	17	16	15	14	13	-	8	7	6	5	-	1	Sys	Sys
Designation	0*	0*		0*	0*	0*	0/1	0/1	0/1	0/1	0/1	...	0/1	0/1	0/1	0/1	...	0/1	0*	0*
Value	00		00 to 07					00 to FF					00 to FC							

\* Always specify 0. If you specify 1 an error (Response code: 14) will occur.

**Parameter Description**

Parameter	Description
Page designation	Pages are specified by setting the bits corresponding to pages that are to be read to 1 and setting the other bits to 0, then converting the result to a hexadecimal character string.
Write data	The data to be written to the specified pages is specified in ascending order of page numbers.

ID Tag Memory Maps  Refer to page 127.

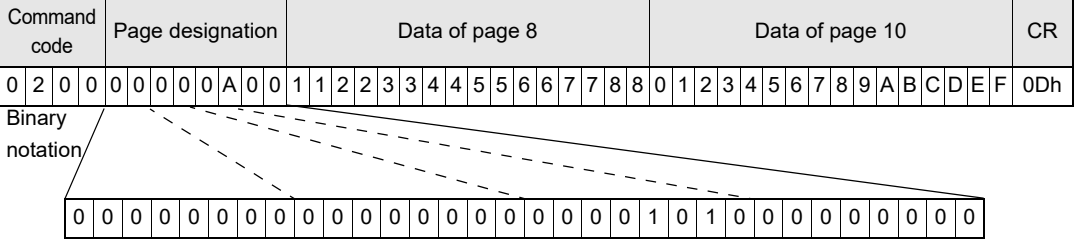
**Response**

The response code (when normal: 00) is returned.

Response code		CR
0	0	0Dh

Example: Writing Data to Pages 8 and 10 of the Amplifier Unit

**Command**



**Response**

Response code		CR
0	0	0Dh

The ID Tag status on normal completion is as shown below.

Page	11h	22h	33h	44h	55h	66h	77h	88h
Page 8								
Page 9								
Page 10	01h	23h	45h	67h	89h	ABh	CDh	EFh

**■ SAME WRITE**

This command writes the same data to multiple pages of an ID Tag. Any page(s) can be specified.

**Command**

Command code				Page designation (8 characters)								Write data				CR				
0	3	0	0											Data 1	...	Data 8	0DH			
Bit	7	-	0	7	-	3	2	1	0	7	6	-	1	0	7	6	-	2	1	0
Page	Sys	-	Sys	Sys	-	Sys	17	16	15	14	13	-	8	7	6	5	-	1	Sys	Sys
Designation	0*	0*		0*	0*	0*	0/1	0/1	0/1	0/1	0/1	...	0/1	0/1	0/1	0/1	...	0/1	0*	0*
Value	00			00 to 07					00 to FF					00 to FC						

\* Always specify 0. If you specify 1 an error (Response code: 14) will occur.

**Parameter Description**

Parameter	Description
Page designation	Pages are specified by setting the bits corresponding to pages that are to be read to 1 and setting the other bits to 0, then converting the result to a hexadecimal character string.
Write data	Specify the write data.

ID Tag Memory Maps  Refer to page 127.

**Response**

The response code (when normal: 00) is returned.

Response code	CR
0	0 0DH

Example: Clearing All Data on Pages 1 and 17 of the Amplifier Unit to 0

**Command**

Command code	Page designation	Write data	CR
0 3 0 0	0 0 7 F F F C	0 0	0DH

Binary notation

0 0 0 0 0 0 0 0 0 0 0 0 0 0 0 0 1 0 0
---

**Response**

Response code	CR
0	0 0DH



## ■ BYTE WRITE

This command writes data to any specified number of bytes starting from the address specified in the ID Tag. The maximum number of bytes that can be written at one time is 128.

### Command

Command code				First address		Write data				CR
						Data 1	...	Data n		
0	4	0	0							0Dh

\* Data number n = number of bytes written to (2-character units)

### Parameter Description

Parameter	Description
First address	Addresses can be specified in the range 00h to 87h.
Write data	Up to 128 bytes of write data, starting from the specified address, can be specified.

ID Tag Memory Maps



Refer to page 127.

### Response

The response code (when normal: 00) is returned.

Response code		CR
0	0	0Dh

Example: Writing Two Bytes of Data to Address 05h of the Amplifier Unit

### Command

Command code				First address		Write data				CR
						Data 1	Data 2			
0	4	0	0	0	5	1	2	3	4	0Dh

### Response

Response code		CR
0	0	0Dh

The ID Tag status on normal completion is as shown below.

Page 1						12h	34h	
Page 2								

■ **TEST**

Performs a communications test on communications between the host device and Amplifier Unit. When an Amplifier Unit receives a test command, it sends the response code and command test data to the host device as the response.

**Command**

Command code		Test data						CR
		Data 1	...			Data n		
1	0							0Dh

\* Number of data n < 136 (2-character units)

**Parameter Description**

Parameter	Description
Test data	The data to be sent in the test is specified with a hexadecimal value. (270 characters max.) However, note that odd numbers of characters cannot be used.

**Response**

The response code (when normal: 00) and the received test data are returned.

Response code		Test data						CR
		Data 1	...			Data n		
0	0							0Dh

Example: Performing a Test for the Amplifier Unit Using the Data 12345678

**Command**

Command code		Test data								CR
		Data 1	Data 2	Data 3	Data 4					
1	0	1	2	3	4	5	6	7	8	0Dh

**Response**

Response code		Test data								CR
		Data 1	Data 2	Data 3	Data 4					
0	0	1	2	3	4	5	6	7	8	0Dh

## ■ NAK

Sends the response made immediately before again.

### Command

Command code	CR
1	2 0Dh

### Response

Sends the response made immediately before again.



A response will not be returned if a NAK command is executed immediately after startup.

## ■ GET PARAMETER

This command gets the model number, firmware version, or another parameter.

### Command

Command code	Parameter type	CR
1	4	0Dh

### Parameter Description

Parameter	Value	Description
Parameter type	01	Model number
	02	Firmware version
	03	MAC address
	10	DIP switch enabled/disabled status
	11	IP address on DIP switch
	12	Subnet address on DIP switch
	13	IP address in ROM
	14	Subnet address in ROM
	20	Memory status
	21	Antenna connection status

### Response

The response code (00: normal) and received parameter value are returned.

Response code	Parameter value	CR
0 0		0Dh

\* The contents and length of the parameter value depend on the parameter type that is specified for the command.

Example 1: Getting the Model Number of Amplifier Unit

Command

Command code		Parameter type		CR
1	4	0	1	0Dh

Response

The product model number is returned as an ASCII text string.

Response code		Model number												CR		
0	0	V	6	4	0	-	H	A	M	1	1	-	E	T	N	0Dh

Example 2: Getting the Firmware Version of Amplifier Unit

Command

Command code		Parameter type		CR
1	4	0	2	0Dh

Response

The response code (00: normal) and firmware version are returned as a 4-digit decimal number.

Response code		Firmware version				CR
0	0	0	1	0	0	0Dh
		Major version		Minor version		

\* The above response is for a firmware version of 1.00.

Example 3: Getting the MAC Address of Amplifier Unit

Command

Command code		Parameter type		CR
1	4	0	3	0Dh

Response

The response code (00: normal) and MAC address are returned.

Response code		MAC address												CR
0	0	0	0	1	F	1	6	1	A	B	9	8	E	0Dh

\* The above response is for a MAC address of 00:1F:16:1A:B9:8E.

Example 4: Checking If Network Settings on DIP Switch on Amplifier Unit Are Enabled or Disabled

Command

Command code		Parameter type		CR
1	4	1	0	0Dh

Response

The response code (00: normal) and enabled/disabled status of the DIP switch network settings are returned.

Response code		DIP switch enabled/disabled		CR
0	0	0	1	0Dh

\* The above response is for when the DIP switch settings are enabled. The response will show 00 for disabled status.

Example 5: Checking IP Address on DIP Switch on Amplifier Unit

Command

Command code		Parameter type		CR
1	4	1	1	0Dh

Response

The response code (00: normal) and IP address on the DIP switch (decimal, four octets of 3 digits each) are returned.

Response code		IP address on DIP switch												CR
0	0	1	9	2	1	6	8	0	0	1	0	2	0	0Dh
		First octet			Second octet			Third octet			Fourth octet			

\* The above response is for when the IP address on the DIP switch is 192.168.1.20.

\* The following response will be returned if the DIP switch network settings are disabled.

Response code		IP address on DIP switch												CR
0	0	0	0	0	0	0	0	0	0	0	0	0	0	0Dh
		First octet			Second octet			Third octet			Fourth octet			

**Example 6: Checking the Subnet Mask on the DIP Switch of Amplifier Unit**

**Command**

Command code		Parameter type		CR
1	4	1	2	0Dh

**Response**

The response code (00: normal) and subnet mask (decimal, four octets of 3 digits each) are returned.

Response code		Subnet mask on DIP switch												CR
0	0	2	5	5	2	5	5	2	5	5	0	0	0	0Dh
		First octet			Second octet			Third octet			Fourth octet			

\* The subnet mask is always 255.255.255.0 regardless of whether the DIP switch network settings are enabled or disabled.

**Example 7: Checking IP Address in ROM**

**Command**

Command code		Parameter type		CR
1	4	1	3	0Dh

**Response**

The response code (00: normal) and IP address in ROM (decimal, four octets of 3 digits each) are returned.

Response code		IP address on DIP switch												CR
0	0	1	9	2	1	6	8	0	0	1	2	0	0	0Dh
		First octet			Second octet			Third octet			Fourth octet			

\* The above response is for when the IP address in ROM is 192.168.1.200.

**Example 8: Checking the Subnet Mask in ROM**

**Command**

Command code		Parameter type		CR
1	4	1	4	0Dh

**Response**

The response code (00: normal) and subnet mask (decimal, four octets of 3 digits each) are returned.

Response code		Subnet mask on DIP switch												CR
0	0	2	5	5	2	5	5	2	5	5	0	0	0	0Dh
		First octet			Second octet			Third octet			Fourth octet			

\* The above response is for when the subnet mask in ROM is 255.255.255.0.

Example 9: Getting the Memory Status of Amplifier Unit

Command

Command code		Parameter type		CR
1	4	2	0	0Dh

Response

The response code (00: normal) and memory check results for internal EEPROM are returned.

Response code		Memory status		CR
0	0	0	1	0Dh

\* "Memory status" will be if the memory is normal:"01", and is error:"00".

Example 10: Getting the Antenna Connection Status of Amplifier Unit

Command

Command code		Parameter type		CR
1	4	2	1	0Dh

Response

The response code (00: normal) and Antenna connection status are returned.

Response code		Antenna connection status		CR
0	0			0Dh

\* "Antenna connectionstatus" will be if the antenna is connected correctly:"01", and is not correctly:"00".

■ **GET LAST COMMAND**

Gets the command code of the last command that was executed.

**Command**

Command code		CR
1	5	0Dh

**Response**

This command returns the command code of the last command that was executed.

**When There Is a Previously Executed Command**

Response code		Command code				CR
0	0					0Dh

\* The command code is given as two or four characters.

**When There Is No Previously Executed Command**

Response code		Command code		CR
0	0	0	0	0Dh

■ **GET COMMUNICATIONS HISTORY**

This command gets the history of communications from when the power was turned ON (total number of communications, total successful communications, and total number of failed communications).

**Command**

Command code		CR
1	6	0Dh

**Response**

This command returns the history of communications from when the power was turned ON. Four hexadecimal digits each are returned for the total number of communications, total number of successful communications, and total number of failed communications.

If the total number of communications exceeds 65,535, all data in the communications history will be reset to 0.

Response code		Total number of communications	Total number of successful communications	Total number of failed communications	CR
0	0				0Dh



Example 1: Getting the Communications History of Amplifier Unit

Command

Command code		CR
1	6	0Dh

Response

The following response is returned if there are 32,000 total communications, 30,000 successful communications, and 2,000 failed communications.

Response code		Total number of communications				Total number of successful communications				Total number of failed communications				CR
0	0	7	D	0	0	7	5	3	0	0	7	D	0	0Dh

■ CLEAR COMMUNICATIONS HISTORY

This command clears the communications history.

Command

Command code		CR
1	7	0Dh

Response

Response code		CR
0	0	0Dh

■ NOISE MEASUREMENT

The levels of noise in the vicinity of the CIDRW Head are measured and the noise level is expressed numerically in the range "00" to "99."

Command

Command code		CR
4	0	0Dh

Response

The response code (when normal: 00) and the noise level "00" to "99" are returned.

Response code		Noise level	CR
0	0		0Dh

Influence of background noise on communications distance  Refer to page 126.

■ **RESET**

All Amplifier Unit processing is stopped, and the initial status is re-established.

**Command**

Command code		CR
7	F	0Dh

**Response**

There is no response to this command.

■ **SET WEB PASSWORD**

This command sets the Web password.

If you set a password, a Password entry window will be displayed when you start the browser window.

**Command**

**When the Password Is Not Set**

Command code		Password (1 to 16 characters)												CR					
A	2																		0Dh

\* Only the following characters can be used in passwords: 0 to 9, a to z, and A to Z. If any other characters are used, error 14 will occur.

\* If the password is not between 1 and 16 characters long, error 14 will occur.

**When the Password Is Set**

Command code		CR
A	2	0Dh

**Response**

Response code		CR
0	0	0Dh



Never turn OFF the power supply to the Amplifier Unit before a response is received from the Amplifier Unit for this command. Doing so may damage the Amplifier Unit.



The values are enabled when the Amplifier Unit is restarted.

## ■ SET NETWORK

This command sets the IP address and subnet mask in ROM.

### Command

Command code		First octet			Second octet			Third octet			Fourth octet			CR
A	3													0Dh

### Parameter Description

Parameter	Description
Type	IP address setting: 00 Subnet mask setting: 01
First to fourth octets	The address is set in decimal in four octets of three characters each.

### Response

Response code		CR
0	0	0Dh

\* If an error occurs when writing to EEPROM, error 9A will be returned.



CHECK!

Never turn OFF the power supply to the Amplifier Unit before a response is received from the Amplifier Unit for this command. Doing so may damage the Amplifier Unit.



CHECK!

The values are enabled when the Amplifier Unit is restarted.

MEMO

# SECTION 5

## Browser Interface

❏ Browser Operation Windows	60
❏ Window Configuration	61

# Browser Operation Windows

To operate an Amplifier Unit from a browser, connect the Ethernet cables, start a browser on the computer, and specify the IP address of the Amplifier Unit as the URL. The Browser Window will be displayed. The Status Window will be displayed first. (If a Web password is set, the Status Window will be displayed after the Password Entry Window.) Menu buttons to move to the other windows are provided at the top of the window. Click a menu button to move to another window.



You can use the Windows application "V640 Utility Tool" which has the same functions as the browser interface. Download the "V640 Utility Tool" on your regional OMRON website. If you use "V640 Utility Tool", you don't need Java Plug-in.

## Precautions

- The system requirements to use the Web browser are as follows:
  - Windows 7, Windows 8.1, or Windows 10 with Internet Explorer 8 or higher
  - The combination of the firmware version and the JRE version

Amplifier Units firmware version	JRE version	Java 5	Java 6	Java 7	Java 8		
					Up to Update64	Update65 to Update201	Update211 or later *1
Ver1.00		Available	Available	Available	Available	Not available*2	Not available*2
Ver1.01		Not available	Available	Available	Available	Available	Available

\*1. Commercial license is required for Java 8 Update 211 (April 16, 2019)

\*2. Java8 Update65 (October 5, 2015) or later can not be connected.



There is case where WEB browser can not be used in a combination of the firmware version of Amplifier Unit and the JRE version.

Refer to the table above, please use the JRE version that was appropriate for your Amplifier Unit.

Java software can be downloaded from the following URL: <https://www.oracle.com/java/technologies/downloads/archive/> (\*URL is as of October 2022 and may change in the future.)

(Java and other trademarks that contain "Java" are the registered trademarks of Oracle Corporation or its related companies.)

- Before starting the Browser Window, make sure that the Amplifier Unit is not executing a command from terminal software or another source. The Amplifier Unit must be in idling status. If the Browser Window is started while the Amplifier Unit is executing a command, responses will not be returned for the commands sent from the terminal software or Browser Window.
- Access is possible from only one browser at a time. If the Amplifier Unit is accessed from another browser (B) while it is connected to a browser (A), the control right will move to browser B.

## Before you begin the Browser Interface

1. Connect the PC to the Amplifier Unit through the LAN cable.
2. Turn on of the Amplifier Unit.
3. Start the browser (ex.Internet Explorer).
4. Input the IP Address of the Amplifier Unit in the URL column.
5. The Amplifier Unit browser screen will be displayed.

# Window Configuration

The screenshot shows a web browser window titled "V640 Browser - Windows Internet" with the address bar set to "http://192.168.1.200/". The page features the OMRON logo in the top right corner. Below the logo are "Language Buttons" for "Japanese" and "English", with "English" selected. A "Menu Buttons" section contains four tabs: "Status", "Settings", "Command", and "Noise Monitor". The "Status" tab is active, displaying a "Main Display" area with a "Refresh" button. The main display contains several sections of information:

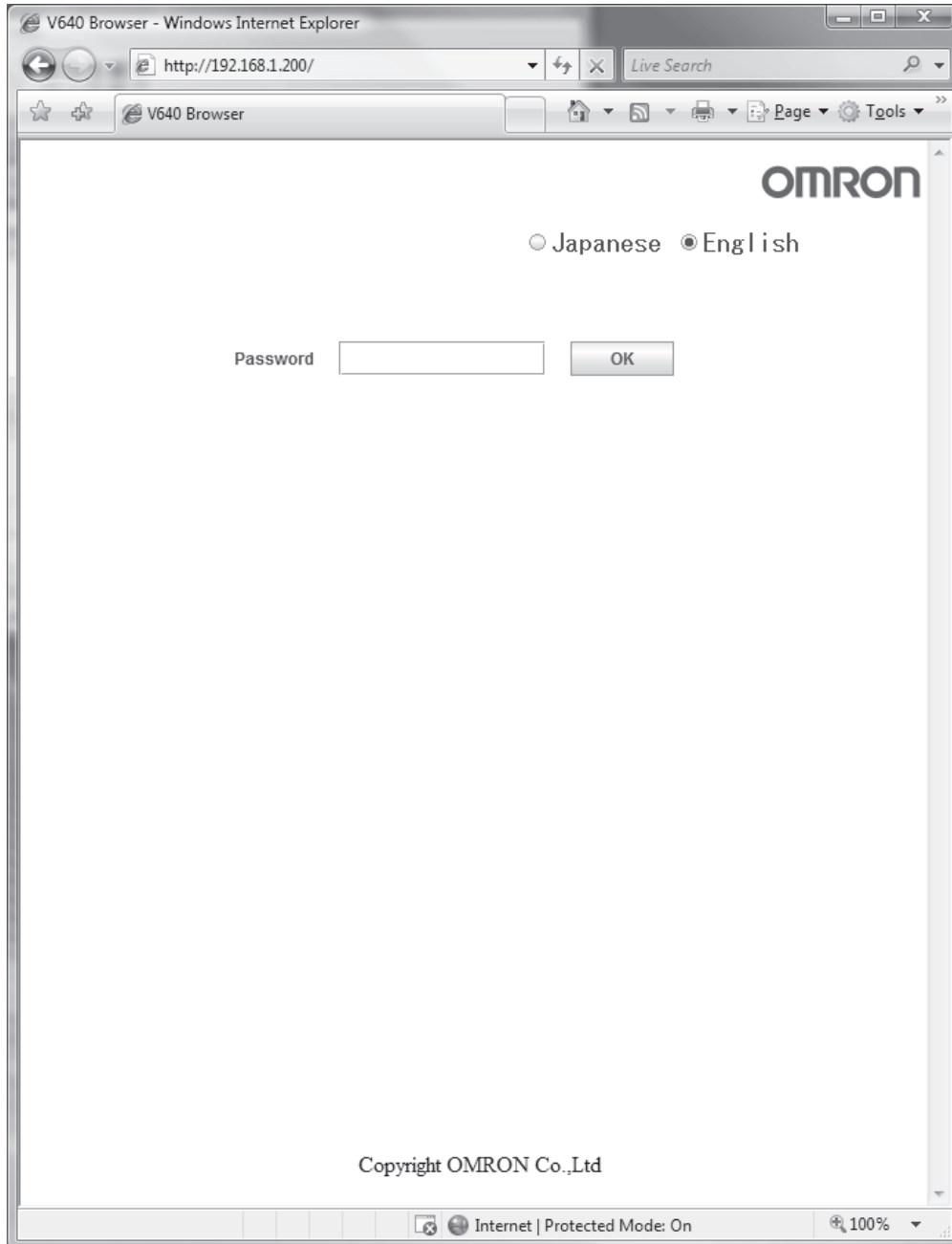
Model	V640-HAM11-ETN-V2
Firmware Version	1.01
MAC Address	00 : 00 : 0A : 3C : 44 : 58
DIP-SW	Disabled
Network Settings(DIP)	
IP Address	
Subnet Mask	
Network Settings(ROM)	
IP Address	192.168.1.200
Subnet Mask	255.255.255.0
Latest Communication	
Command Code	
Response Code	
Communication History	
Total	0
Success	0
Error	0
H/W Status	
Memory	OK
Antenna	OK

At the bottom of the page, it says "Copyright OMRON Co.,Ltd". The browser's status bar at the bottom shows "Done", "Internet | Protected Mode: On", and a zoom level of "100%".

## Password Entry Window

If a Web password is set in the Amplifier Unit, the Password Entry Window will be displayed before the Browser Window is displayed. Enter the password and click the **OK** Button in this window. If the password is correct, the Status Window will be displayed.

The following characters can be used for the password: 0 to 9, a to z, and A to Z.





If the password is not correct, the following window will be displayed.  
Click the **Retry** Button. The Password Entry Window will be displayed again.



## Status Window

The Status Window displays the model number, firmware version, MAC address, and other information on the Amplifier Unit so that you can check it. Click the **Refresh** Button at the top of the window to update the displayed information (latest communication, communication history, and H/W status).

The screenshot shows the V640 Browser interface in Windows Internet Explorer. The browser address bar shows `http://192.168.1.200/`. The page title is "V640 Browser". The OMRON logo is visible in the top right corner. Below the logo, there are language selection options:  Japanese and  English. A navigation bar contains four tabs: "Status", "Settings", "Command", and "Noise". A "Refresh" button is located below the "Noise" tab. A callout box points to this button with the text "Refresh Button".

The main content area displays several data tables. Labels A through E point to specific sections:

- A** points to the first table containing general unit information:

Model	V640-HAM11-ETN-V2
Firmware Version	1.01
MAC Address	00 : 00 : 0A : 3C : 44 : 58
DIP-SW	Disabled

- B** points to the "Network Settings(DIP)" table:

Network Settings(DIP)	
IP Address	
Subnet Mask	

- C** points to the "Latest Communication" table:

Latest Communication	
Command Code	
Response Code	

- D** points to the "Communication History" table:

Communication History	
Total	0
Success	0
Error	0

- E** points to the "H/W Status" table:

H/W Status	
Memory	OK
Antenna	OK

At the bottom of the page, the text "Copyright OMRON Co.,Ltd" is displayed. The browser status bar at the bottom shows "Done", "Internet | Protected Mode: On", and "100%" zoom level.

### A Amplifier Unit Information

Item	Description	Comments
Model	The product model number is displayed.	
Firmware Version	The firmware version is displayed.	
MAC Address	The MAC address is displayed.	
DIP-SW	"Enabled" is displayed if the Amplifier Unit is set to use the IP address that is set on the DIP switch. "Disabled" is displayed if the Amplifier Unit is set to use the IP address that is set in ROM.	

### B Network Setting Information

Item	Description	Comments
Network Settings(DIP) IP Address Subnet Mask	If the Amplifier Unit is set to use the IP address that is set on the DIP switch, this item is displayed in blue, and the IP address and subnet mask of the Amplifier Unit are displayed.	If the Amplifier Unit is set to use the IP address that is set on the DIP switch, this item is grayed out.
Network Settings(ROM) IP Address Subnet Mask	If the Amplifier Unit is set to use the IP address that is set in ROM, this item is displayed in blue, and the IP address and subnet mask of the Amplifier Unit are displayed.	If the Amplifier Unit is set to use the IP address that is set in ROM, this item is grayed out.

### C Last Command Information

Item	Description	Comments
Latest Communication Command Code Response Code	The last command code that was executed and the last response code that was returned by the Amplifier Unit are displayed.	Nothing is displayed if a command has not been executed since the Amplifier Unit was started.

### D Communications History Information

Item	Description	Comments
Communication History Total Success Error	History information on communications with the ID Tags is displayed. Total number of communications Total number of successful communications Total number of failed communications	

### E Hardware Information

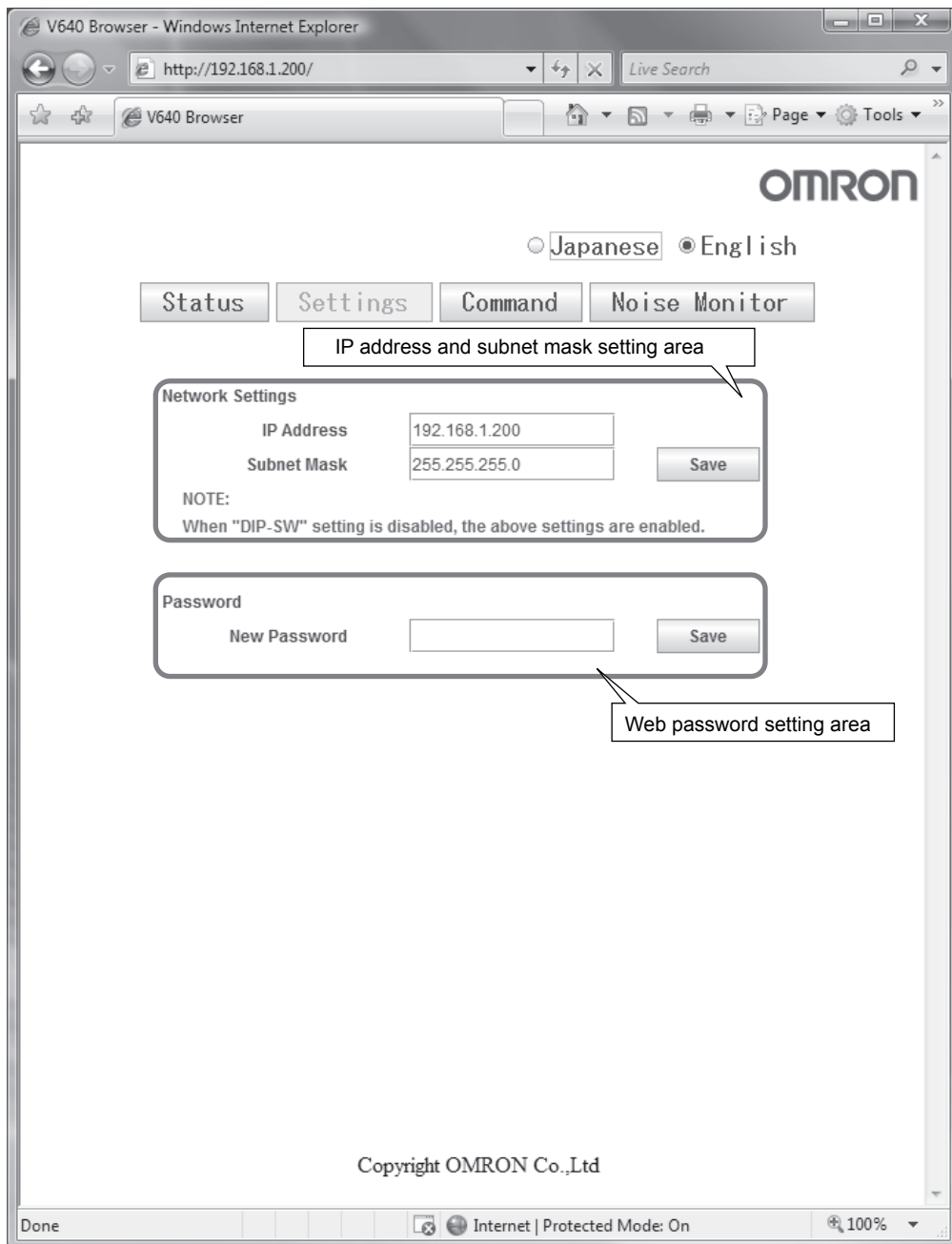
Item	Description	Comments
H/W Status Memory Antenna	Hardware information is displayed. "Error" is displayed if a memory error was detected during the memory check at startup. "Error" is displayed if an error is detected in the CID Head that is connected to the Amplifier Unit (or if a CID Head is not connected).	"OK" is displayed for normal status.

## Setting Window

The network settings (IP address and subnet mask) of the Amplifier Unit and the Web password can be set in the Setting Window. The values that are set are enabled when the Amplifier Unit is restarted.

If the **Save** Button is clicked when the password box is empty, the Web password will be cleared. In this state, the browser interface can be used without entering the Web password.

The following characters can be used for the Web password: 0 to 9, a to z, and A to Z.

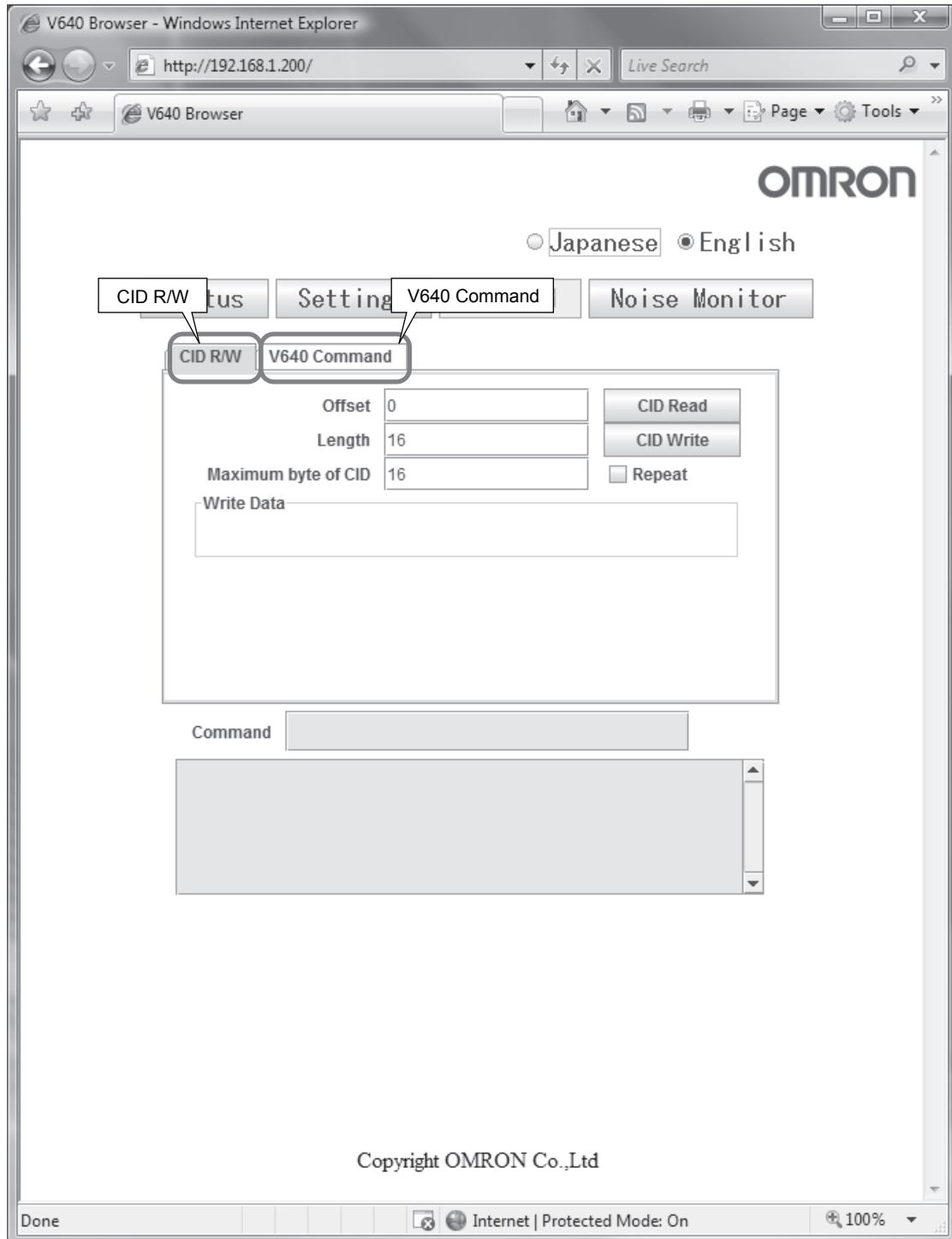


Never turn OFF the power supply to the Amplifier Unit before a response is received after clicking the **Save** Button. Doing so may damage the Amplifier Unit.

CHECK!

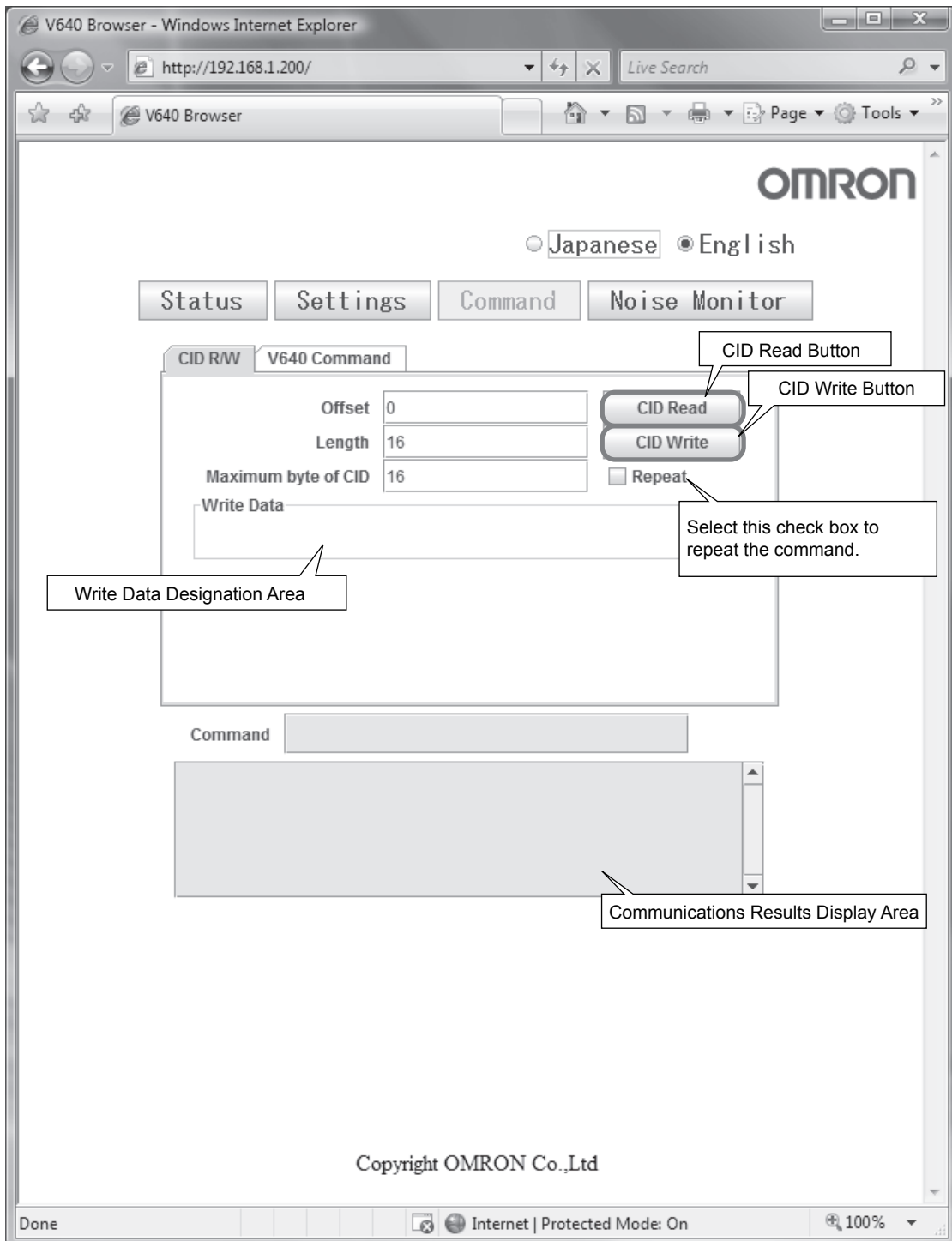
## Command Window

The Command Window can be used to communicate with ID Tags. The Command Window has two tab pages: "CID R/W" and "V640 Command."



## CID R/W Tab Page

The CID R/W Tab Page allows you to read or write ID Tag data by specifying the offset, length, and maximum bytes of CID. If writing is executed, you must also specify the write data.



Item	Description	Comments
Offset	Specify the CID offset between 0 and 15 bytes.	
Length	Specify the CID length between 1 and 16 bytes.	
Maximum byte of CID	Specify the maximum CID length between 1 and 16 bytes.	
Write Data	For the write data, specify only the number of bytes for the specified length.	Specify only visible ASCII characters.

For example, the results display would be as shown below if a CID read was executed with an offset of 0, a length of 16, and a maximum bytes of CID of 16.

The screenshot shows the 'CID R/W V640 Command' interface. The 'Offset' field is set to 0, 'Length' is 16, and 'Maximum byte of CID' is 16. The 'CID Read' button is highlighted. Below the interface, the command log shows the following sequence:

```

Command 010000000000C
[TX] Read Offset=0 Length=16
[RX] (00) ABCDEFGHIJKLMNOP
    
```

Callouts in the image point to the 'Command sent to Amplifier Unit' (the command line), the 'Response code' (the '(00)' in the RX line), and the 'Receive data' (the 'ABCDEFGHIJKLMNP' in the RX line).

Only visible ASCII characters can be used to read and write data on the CID R/W Tab Page. If characters that are not visible ASCII characters are detected for a CID read, they will be converted to asterisks (\*).

The screenshot shows the command log with the following sequence:

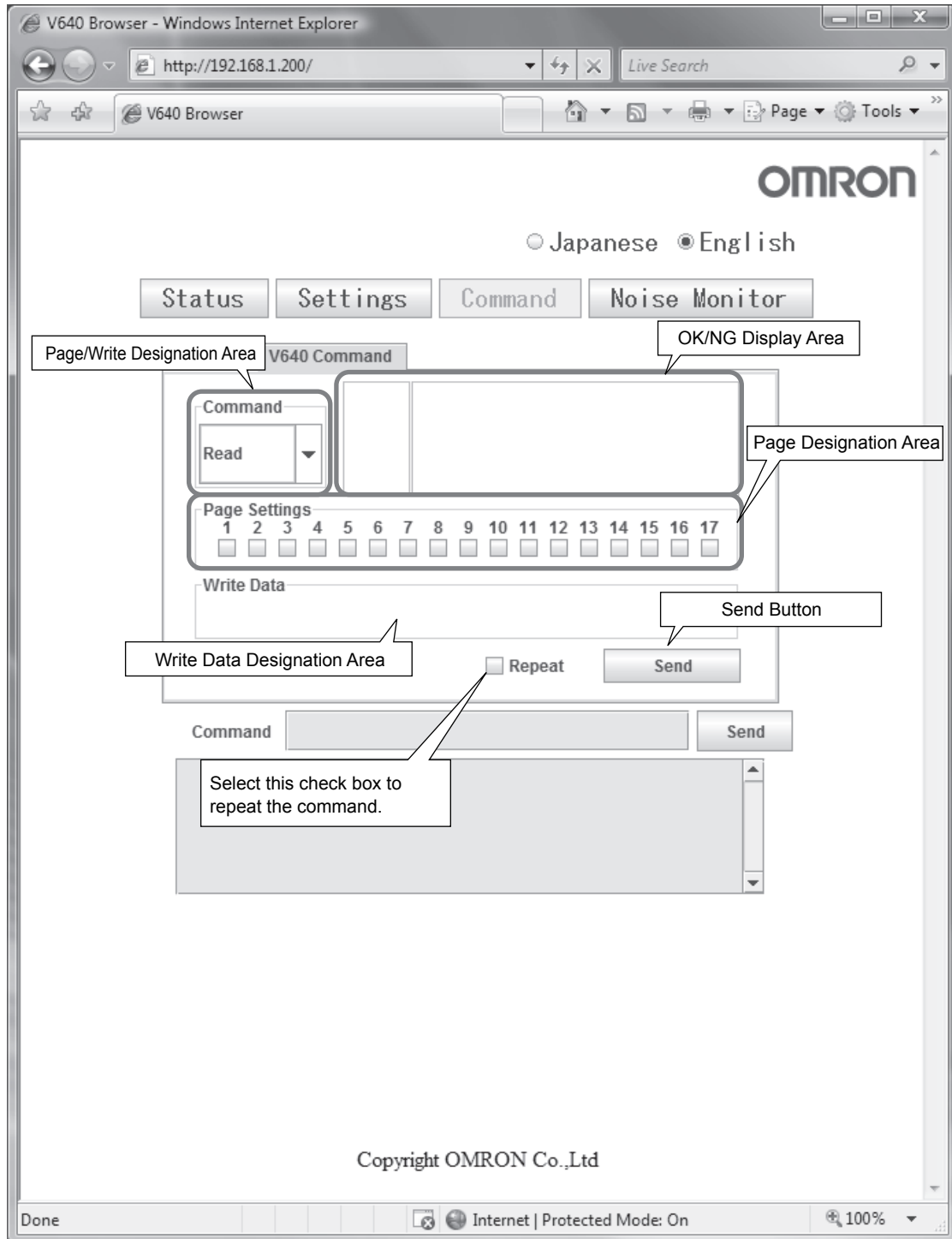
```

[TX] Read Offset=0 Length=16
[RX] (00) ABC*****NOP
    
```

A callout points to the asterisks in the response, stating: "Characters that are not visible ASCII characters are converted to '\*'".

## V640 Command Tab Page

The V640 Command Tab Page allows you to read and write data according to the command format of the Amplifier Unit





■ Page/Write Designation Area

Select *Read* or *Write* in the Page/Write Designation Area.

■ OK/NG Display Area

The command execution results will be displayed as "OK" or "NG" in the OK/NG Display Area. If "NG" is displayed, information on the error will be displayed.

• Successful Communications

CID R/W V640 Command

Command  
Read

OK

Page Settings  
1 2 3 4 5 6 7 8 9 10 11 12 13 14 15 16 17

Write Data

Repeat

Command 010000000004

[TX] 010000000004  
[RX] (00) 4142434445464748

• Failed Communications

CID R/W V640 Command

Command  
Read

NG

Error Code:72  
No Tag error  
Either there is no ID Tag in front of the CIDRW Head, or the CIDRW Head is unable to detect the ID Tag due to environmental factors (e.g. noise).

Page Settings  
1 2 3 4 5 6 7 8 9 10 11 12 13 14 15 16 17

Write Data

Repeat

Command 010000000004

[TX] 010000000004  
[RX] (72)

■ **Page Designation Area**

Select the check boxes to specify the pages to be read or written.

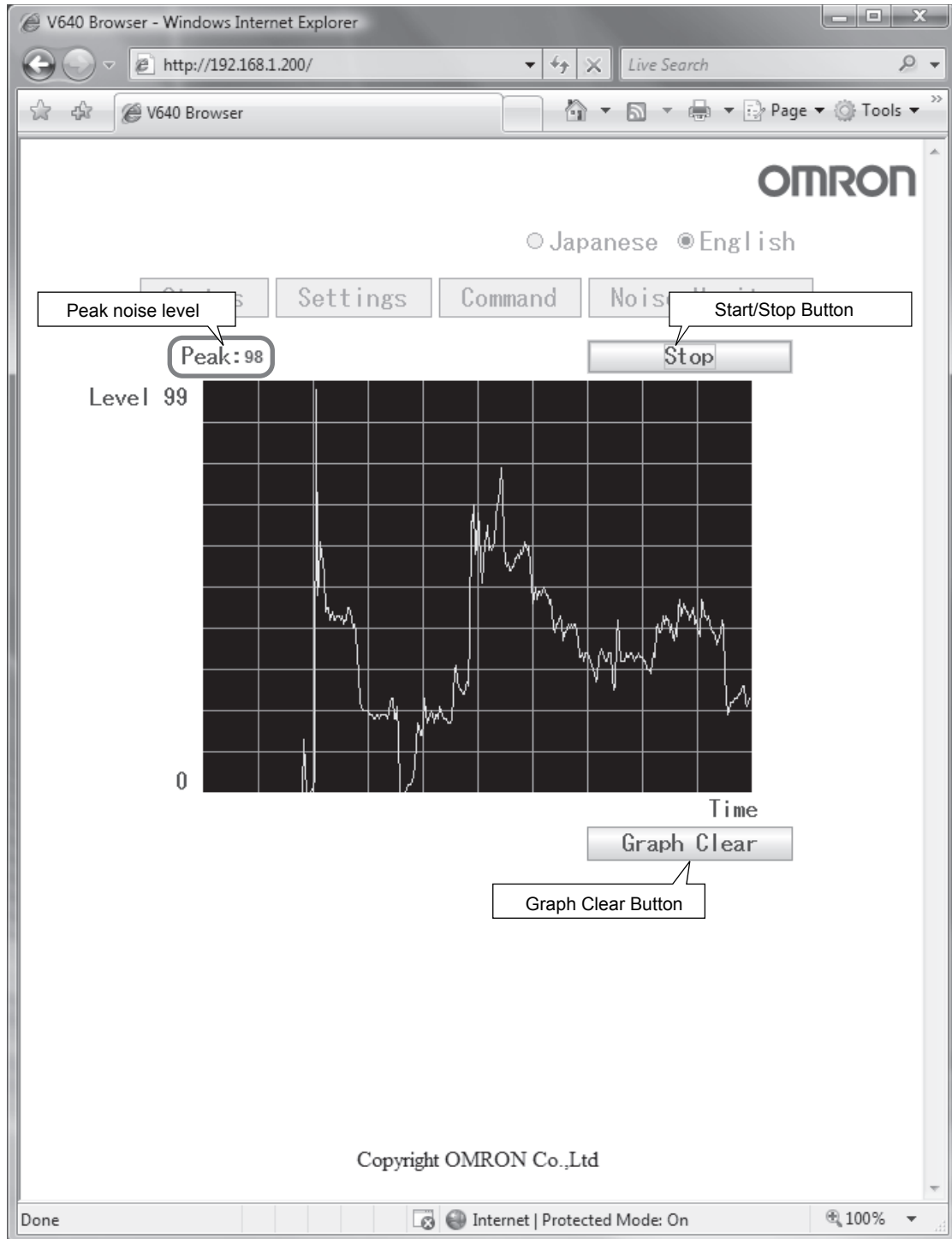
■ **Write Data Designation Area**

When writing data, specify the data to write to the ID Tag as a hexadecimal string. Specify 16 characters for each page that you specify in the Page Designation Area.

## Noise Measurement Window

The Noise Measurement Window allows you to continuously send the NOISE MEASUREMENT command to the Amplifier Unit and display the results in realtime.

The horizontal axis gives the time and the vertical axis gives the noise level (0 to 99).



MEMO

# SECTION 6

## Troubleshooting

☒ Troubleshooting	76
☒ Cannot Display the Web Browser Operation Window	82

# Troubleshooting

Errors are indicated by the presence or absence of a response to an Amplifier Unit command, and by the indicators.

## List of Error Messages

Type	Response code	Name	Description
Host communications error	14	Format error	There is a mistake in the command format. (For example, the command portion is undefined, or the page or address specification is inappropriate.)
Communications error between the CIDRW Head and ID Tag	70	Communications error	Noise or another hindrance has occurred during communications with an ID Tag, and communications cannot be completed normally.
	71	Verification error	Correct data cannot be written to an ID Tag.
	72	No Tag error	Either there is no ID Tag in front of the CIDRW Head, or the CIDRW Head is unable to detect the ID Tag due to environmental factors (e.g., noise).
	7B	Outside write area error	The ID Tag is at a position where reading is possible but writing is not, so writing does not complete normally.
	7E	ID system error (1)	The ID Tag is in a status where it cannot execute the command processing.
	7F	ID system error (2)	An inapplicable ID Tag has been used.
CPU hardware error	9A	Hardware error in CPU	An error occurred when writing to EEPROM.

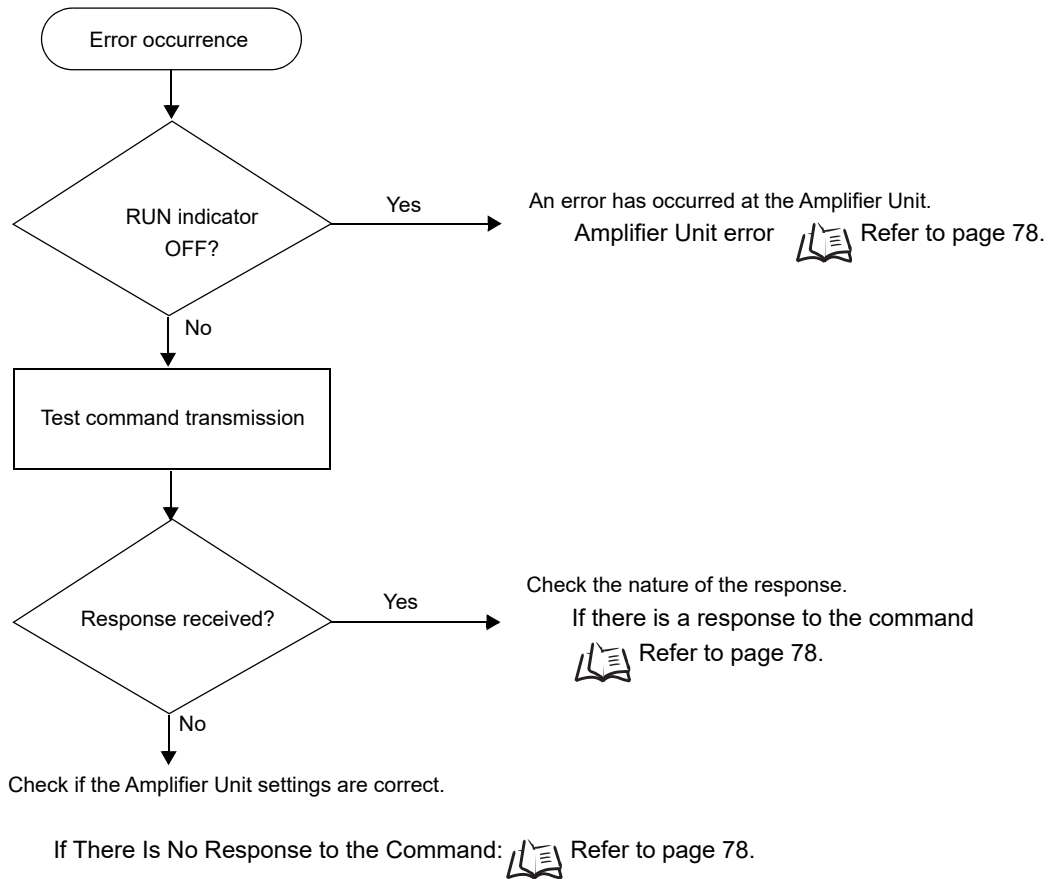
## Amplifier Unit Indicators

Name	Indications
RUN (green)	Turns ON when the Amplifier Unit is in normal operation.
COMM (orange)	Turns ON during communications with the host device or during communications with an ID Tag.
NORM (green)	Turns ON when the communications finish with no error.
ERROR (red)	Turns ON when an error occurs during communications with the host device, or during communications with an ID Tag.

## Operation Check Flowchart

### From Installation to Trial Operation

Errors are indicated by whether or not a response to the test command is received and by the status of the Amplifier Unit indicators.



- If the Test Command Was Received Normally:

#### Indicators

RUN	COMM	NORM	ERROR
	 (Lights once)		

#### Response Code for the Response

Type	Response code	Function
Normal	00	The command was received normally.

• **Amplifier Unit Error**

Check the status of the indicators after transmission of the test command.

After taking appropriate corrective action, restart the Amplifier Unit, send the test command again and check again.

RUN	COMM	NORM	ERROR	Main check points
●	—	—	☉	The Amplifier Unit may be damaged.
●	—	—	●	<ul style="list-style-type: none"> <li>• Influence of background noise (change installation position)</li> <li>• Amplifier Unit power supply</li> </ul> If the error cannot be resolved after checking, the Amplifier Unit may be damaged.

• **If There Is No Response to the Command:**

Check the status of the indicators after transmission of the test command.

After taking appropriate corrective action, restart the Amplifier Unit, send the test command again and check again.

RUN	COMM	NORM	ERROR	Main check points
☉	●	●	●	<ul style="list-style-type: none"> <li>• Please establish the connection between the PC and the Amplifier Unit again, because the TCP/IP connection may be disconnected.</li> <li>• Connection and wiring of the cable between the host device and Amplifier Unit</li> <li>• Routing of each cable (influence of background noise)</li> </ul> If the error cannot be resolved after checking, the Amplifier Unit may be damaged.
☉	●	●	☉ (Lights once)	<ul style="list-style-type: none"> <li>• Connection and wiring of the cable between the host device and Amplifier Unit</li> <li>• Routing of the cables (influence of background noise)</li> <li>• There is a mistake in the command format (number of characters, character code, etc.)</li> </ul>

• **If There Is a Response to the Command:**

Check the status of the indicators after transmission of the test command.

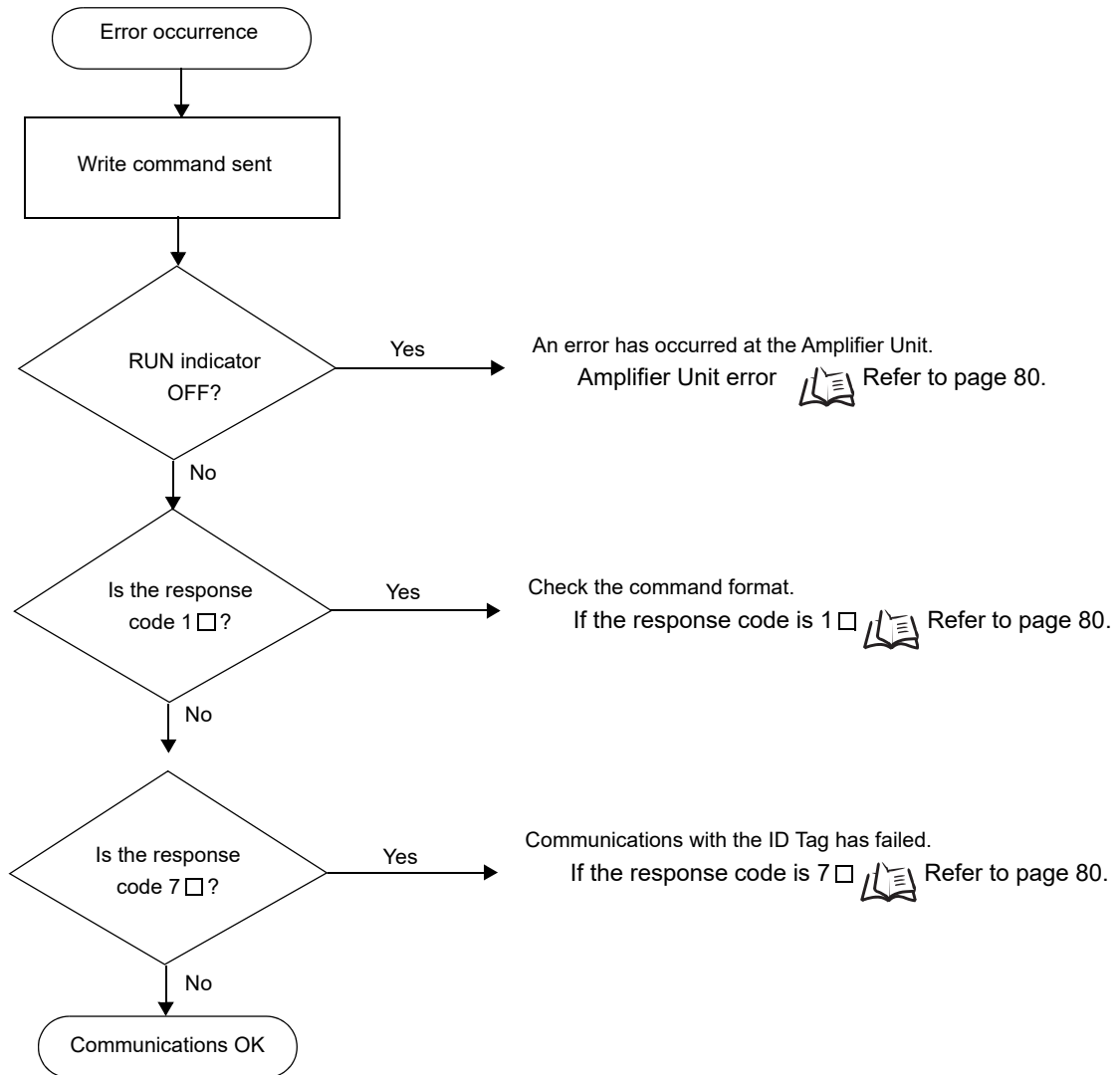
After taking appropriate corrective action, restart the Amplifier Unit, send the test command again and check again.

RUN	COMM	NORM	ERROR	Main check points
☉	●	●	☉ (Lights once)	There is a mistake in the command format (number of characters, character code, etc.).
☉	●	●	☉	By an interruption of the power supply, the memory may be damaged.



## ■ From Trial Operation to Communications

Errors are indicated by the status of the indicators after transmission of the write command, and by the response code of the response.



- If the ID Tag Was Processed Normally:

### Indicators

RUN	COMM	NORM	ERROR
	 (Lights once)	 (Lights once)	

### Response Code for the Response

Type	Response code	Function
Normal	00	The ID Tag was processed normally.



If there is no response to the write command, refer to the *From Installation to Trial Operation, Operation Check Flowchart.* Refer to page 77.

• **Amplifier Unit Error**

Check the status of the indicators after transmission of the command. After taking appropriate corrective action, send the write command again and check again.

RUN	COMM	NORM	ERROR	Main check points
●		—		<ul style="list-style-type: none"> <li>• Influence of background noise (Change installation position)</li> <li>• Amplifier Unit power supply</li> </ul> <p>If the error cannot be resolved by checking the two points above, the Amplifier Unit may be damaged.</p>
(If RUN is OFF, the status of the other indicators can be ignored.)				

• **If the Response Code is 1□:**

There is a host device communications error.

Check the status of the indicators and the response code of the response after transmission of the command. After taking appropriate corrective action, send the write command again and check again.

RUN	COMM	NORM	ERROR
☉	●	●	☉ (Lights once)

Response code	Main check points
14	Command format (Command code, page designation, address designation, processed data volume, etc.)

• If the Response Code is 7□:

There is a communications error in communications between the CIDRW Head and ID Tag.

Check the status of the indicators and the response code of the response after transmission of the command. After taking appropriate corrective action, send the write command again and check again.

RUN	COMM	NORM	ERROR
	 (Lights once)		 (Lights once)

Response code	Main check points
70	<ul style="list-style-type: none"> <li>Background noise levels of the CIDRW Head (Check the surroundings with the environmental noise level measurement function)</li> <li>Distance to another CIDRW Head</li> <li>Influence of background noise (Change installation position)</li> <li>Please check the Antenna Connection Status by using "GET PARAMETER" command.</li> </ul> <p> Refer to page 53, page 18.</p> <p>If the error cannot be resolved after checking, the Amplifier Unit may be damaged.</p>
71	<ul style="list-style-type: none"> <li>ID Tag overwrite life (Replace the ID Tag)</li> <li>Environment of use of the ID Tags (ID Tag breakage due to use in unanticipated ways)</li> </ul>
72	<ul style="list-style-type: none"> <li>Connection to the CIDRW Head</li> <li>Distance between the ID Tag and CIDRW Head</li> <li>CIDRW Head background noise levels (Check the surroundings with the environmental noise level measurement function)</li> <li>Distance to another CIDRW Head</li> <li>Please check the Antenna Connection Status by using "GET PARAMETER" command.</li> </ul> <p> Refer to page 53, page 18.</p>
7B	<ul style="list-style-type: none"> <li>Distance between the ID Tag and CIDRW Head</li> <li>Background noise levels of the CIDRW Head (Check the surroundings with the environmental noise level measurement function)</li> <li>Distance to another CIDRW Head</li> <li>Influence of background noise (Change installation position)</li> </ul>
7E	<ul style="list-style-type: none"> <li>Type/specifications of the ID Tags used</li> </ul>
7F	<ul style="list-style-type: none"> <li>Settings of the ID Tags used (The ID Tag lock function is used.*)</li> <li>Environment of use of the ID Tags (ID Tag breakage due to use in unanticipated ways)</li> </ul>

\* The ID Tag has a lock function, but the Amplifier Unit has no function for locking an ID Tag.

■ Other Troubleshooting

• Operating in Test Mode

Always connect the CIDRW Head before operating the Amplifier Unit in Test Mode. If Test Mode is used with abnormal CIDRW Head cable or without connecting a CIDRW Head, the ERROR indicator will light and Amplifier Unit operation will stop.

RUN	COMM	NORM	ERROR	Main check points
				<ul style="list-style-type: none"> <li>Please check that the CIDRW Head is connected correctly. If the error cannot be resolved after checking, the Amplifier Unit or the CIDRW Head may be damaged.</li> </ul>

• When a browser screen is not displayed

Please confirm the following items.

- Please confirm whether the network settings is correct.
- Please confirm JRE (version 5.0 or newer) is installed in the host.
- Please confirm whether setting of Proxy does not have an error.

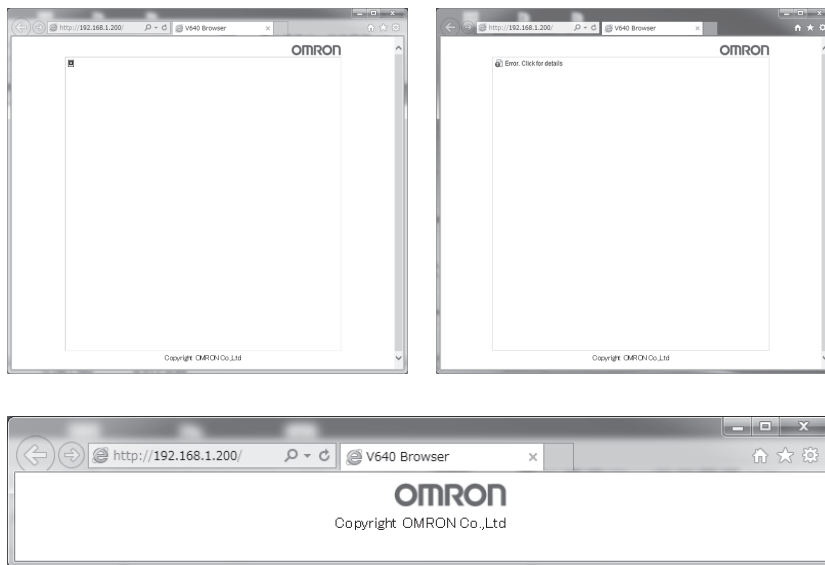
## Cannot Display the Web Browser Operation Window

This section describes countermeasures when you cannot access the Amplifier Unit Web browser interface (i.e., when you cannot display the operation window).

Only countermeasures that have been confirmed by OMRON are provided. They may not solve all possible problems. Contact your OMRON representative if you have problems that cannot be solved.

### Problem

When the Web browser Amplifier Unit interface is used to display the Web operation window, the OMRON logo is displayed and an error message is displayed instead of the operation menu.



## Solution

Check the message that appears when you try to start the Web browser interface, and then perform the corresponding procedure.

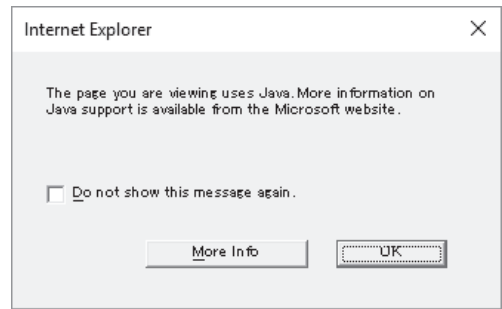
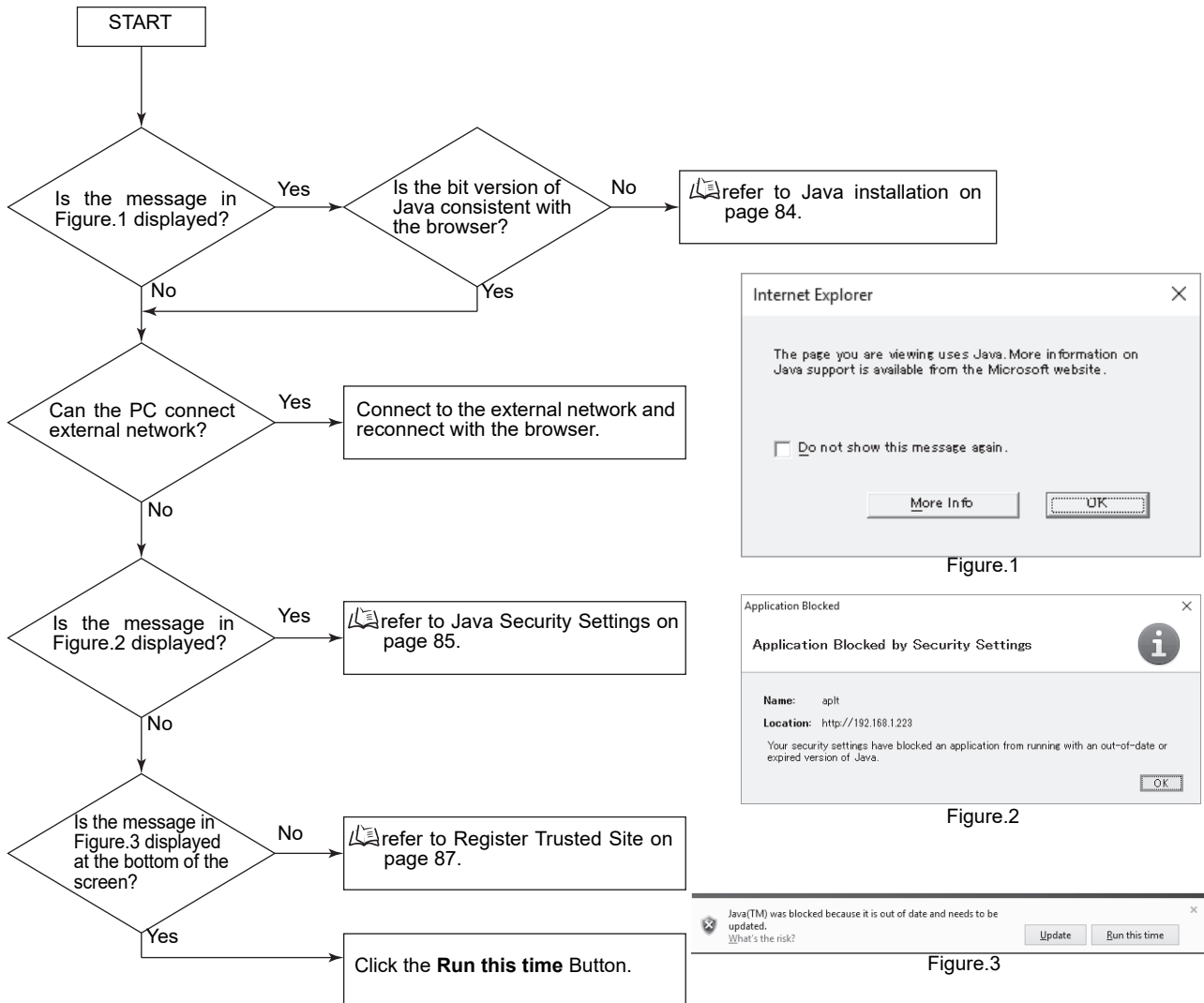


Figure.1

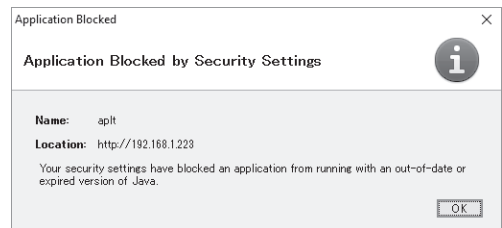


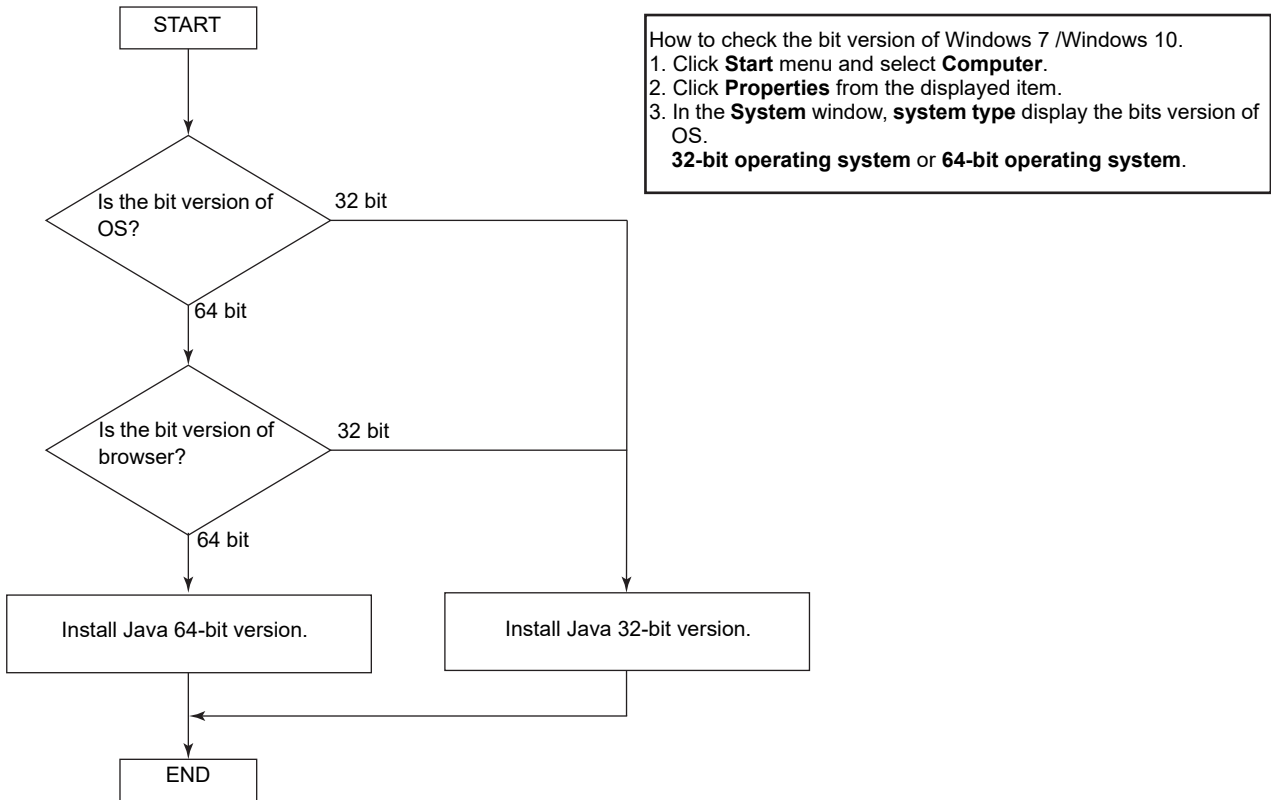
Figure.2



Figure.3

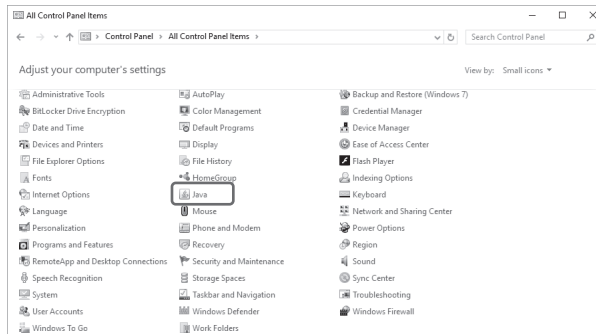
## Java installation

Install Java bit version (64-bit or 32-bit) decided by the following flow.



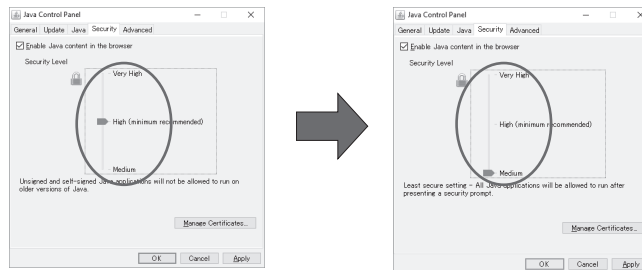
## Java Security Settings

(1) Open the Control Panel and click the **Java** icon.



(2) Click the **Security** Tab and change the security level from **High** to **Medium**.

\* If the security settings are not displayed, refer to **Java Security Settings Are Not Displayed**.

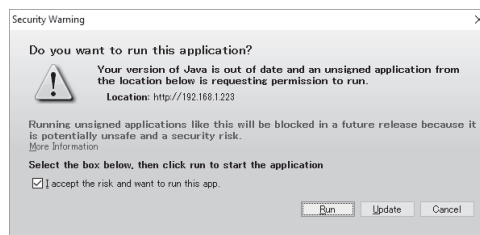


This procedure will reduce the security verification performed for execution of Java applications and therefore it may affect the execution of other Java applications.

CHECK!

(3) Restart the web browser and access the IP address of the Amplifier Unit again.

\* The following warning message displayed at the first time. Click the **Run** Button.



## Java Security Settings Are Not Displayed

This section describes the countermeasure when the exception site list is not displayed and operation is not possible.

If the tab page to change Java security settings does not appear and you cannot change the settings when you select the **Security** Tab in step 2 of the procedure in **Countermeasure for Security Settings**, use the following procedure.

- (1) Open the Control Panel and uninstall all Java programs.
- (2) After you uninstall all of the programs, go to the following website and install Java.

<https://www.oracle.com/technetwork/java/archive-139210.html>

(\*URL is as of April 2019 and may change in the future.)

Refer to *Browser Operation Windows* in *SECTION 5 Browser Interface* for Java versions that can be used.



Refer to page 60.



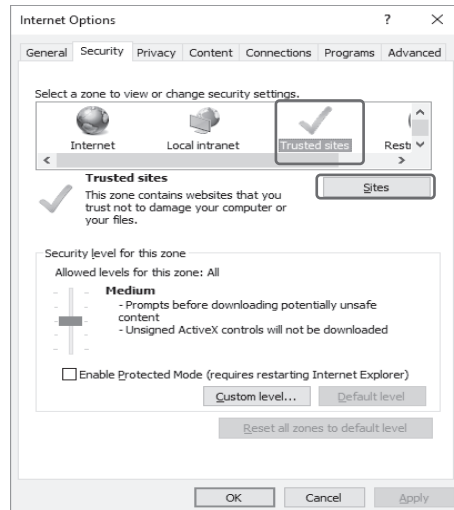
CHECK!

Java security features have been improved for the most recent version of Java, so the same problem may occur.



## Register Trusted Site

- (1) Open the Web browser, click the **Tools** menu and select **Internet Options**.
- (2) Click the **Security** Tab, select Trusted sites and click **Sites** button.



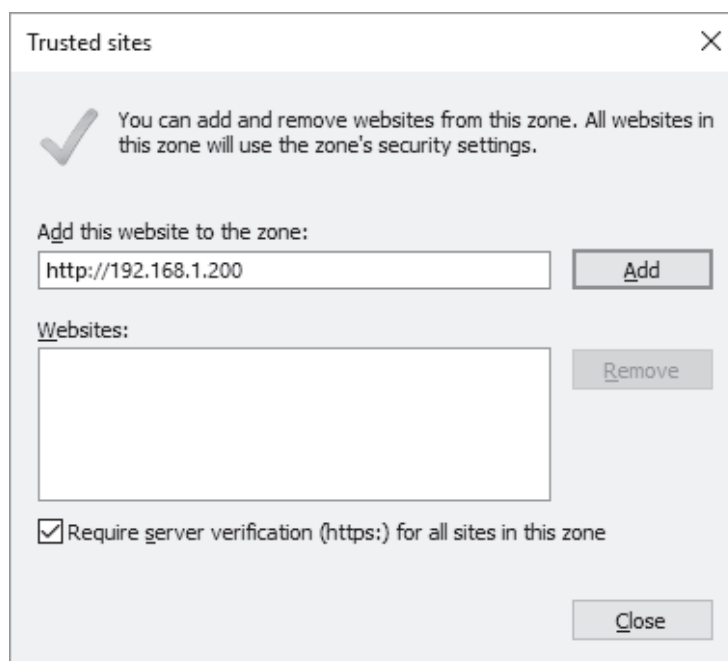
CHECK!

Java security features have been improved for the most recent version of Java, so the same problem may occur.

- (3) In the **Add this Web site to the zone** box, enter the IP address of the target Amplifier Unit, and then click **Add** button.

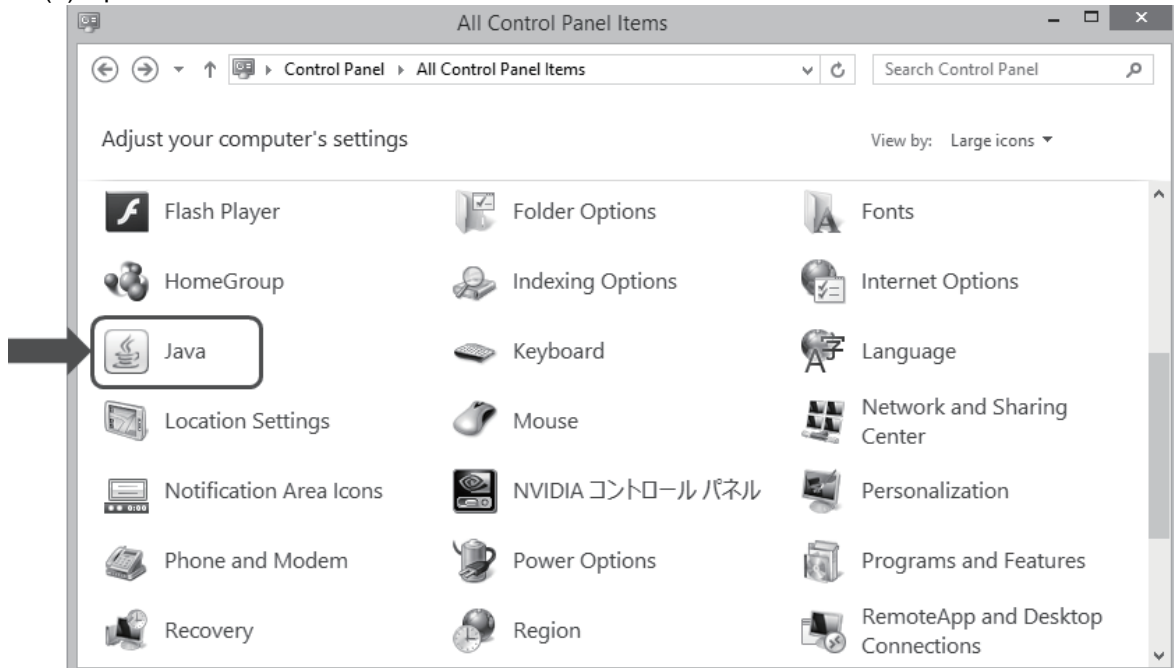
http://"IP address of target device"

ex) http://192.168.1.200/

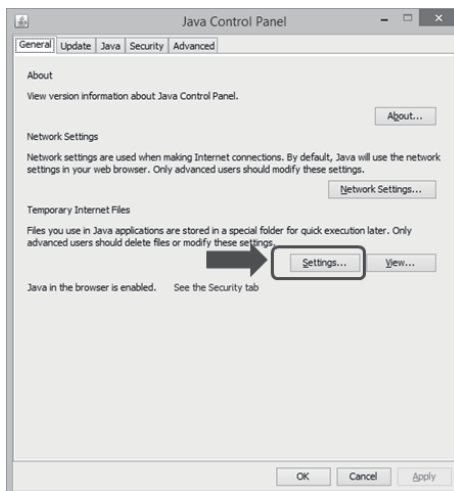


## Countermeasures for Other Problems

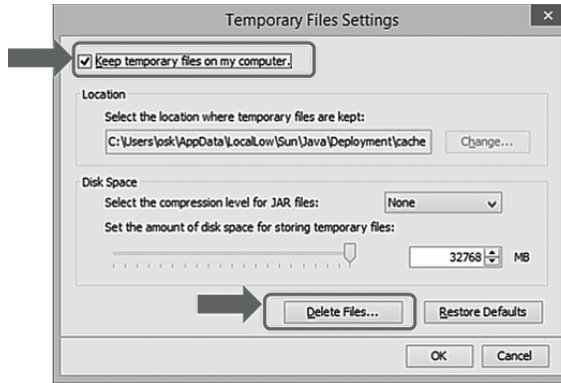
(1) Open the Control Panel and click the **Java** icon.



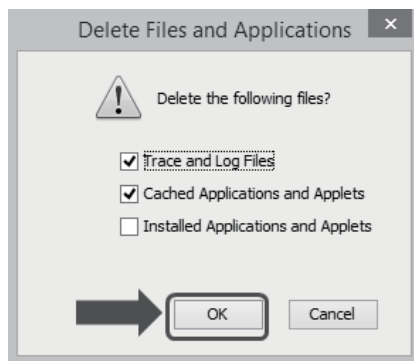
(2) Click the **Settings** Button in the **Temporary Internet Files** Area on the **General** Tab Page.



- (3) Select the **Keep temporary files on my computer** Check Box and click the **Delete Files** Button.



- (4) Click the **OK** Button.



- (5) When the files have been deleted, click the **OK** Button and close all windows. Then, restart the Web browser and connect to the Amplifier Unit again.

MEMO

# SECTION 7

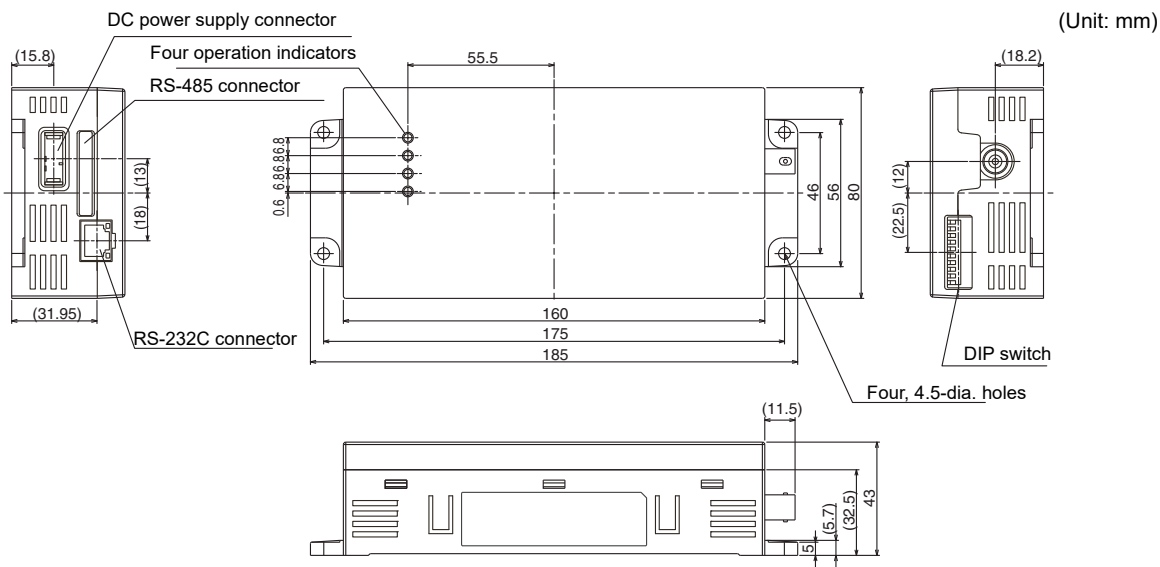
## Appendix

☒ Specifications and Dimensions	92
☒ Connection Examples	96
☒ Characteristic Data According to Conditions of Use	97
☒ ID Tag Memory Maps	127
☒ Regular Inspection	128
☒ ASCII Code Table	129
☒ Protective Construction	130

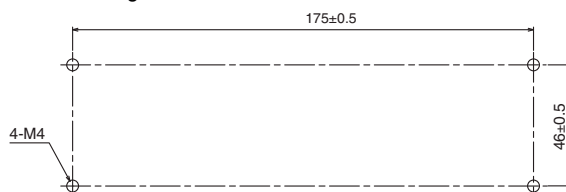
# Specifications and Dimensions

## Amplifier Units

### V640-HAM11-ETN-V2 and V640-HAM11-L-ETN-V2




#### Mounting dimensions



Item	Specifications	
	V640-HAM11-ETN-V2	V640-HAM11-L-ETN-V2
Power supply voltage	24 VDC +10% -15%	
Current consumption	150 mA max.	400 mA max.
Degree of protection	IP20 (IEC60529: 2001)	
Ambient temperature	Operating: 0 to +40°C Storage: -15 to +65°C (with no icing)	
Ambient humidity	Operating/Storage: 35% to 85% (with no condensation)	
Insulation resistance	20 MΩ min. (with 100 VDC megohmmeter) between power supply terminals and the frame ground terminal	
Dielectric strength	1,000 VAC (50/60 Hz for 1 min.) leak current consumption 5 mA max. between both power supply terminals and the frame ground terminal	
Vibration resistance	10 to 150 Hz, double amplitude: 0.20 mm, Max. Acceleration: 15 m/s <sup>2</sup> with 10 sweeps for 8 min. each in 3 directions	
Shock resistance	150 m/s <sup>2</sup> , 3 times each in 6 directions	
Ground	Ground to 100 Ω or less.	
Case material	PC/ABS resin	
Dimensions	80×185×43 mm (W×D×H, excluding protruding parts)	
Mass	Approx. 250 g	
Frequency	134.2 kHz	
Radiated magnetic field strength	maximum 35 dBμA/m at 10 meters (fixed)	
Environmental pollution degree	Degree 2	
Over voltage category	Category I	
Mounting method	Secured with four M4 screws. (tightening torque: 1.2N·M)	
CIDRW Head	V640-HS61	V640-HS62

## ■ Host Communications Specifications

Item	Description
Compliant standards	10Base-T and 100Base-TX
Protocol	TCP/IP
IP Address	<ul style="list-style-type: none"> <li>• If the IP address is set on the DIP switch, it will be in the form 192.168.1.□□□. The subnet mask is always 255.255.255.0</li> <li>• The IP address of the Amplifier Unit can be either set on this DIP switch or the desired IP address can be set in ROM. If pins 1 to 5 on the DIP switch are all turned OFF, the IP address that is set in ROM will be used.</li> </ul>  Refer to page 35.  <b>Default network settings</b> IP Address: 192.168.1.200, Subnet mask: 255.255.255.0 (Pins 1 to 5 on the DIP switch are all turned OFF)
Applicable port	TCP/IP: port 7090
MTU	1,500 bytes



Access to an Amplifier Unit is possible from only one host device at a time. If a host device (A) is connected to an Amplifier Unit and another host device (B) connects to the Amplifier Unit, the connection between host device A and the Amplifier Unit will be automatically broken and host device B will have the control right.



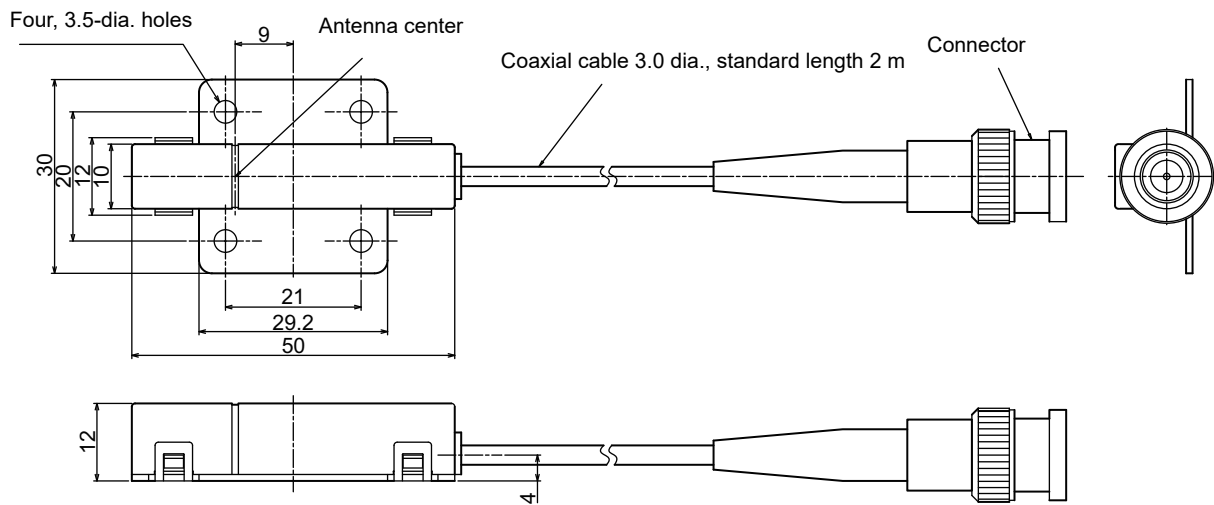
When the connection between a PC and a Amplifier Units have been disconnected, an Amplifier Unit can reopen communication from a PC again by establishing a connection.



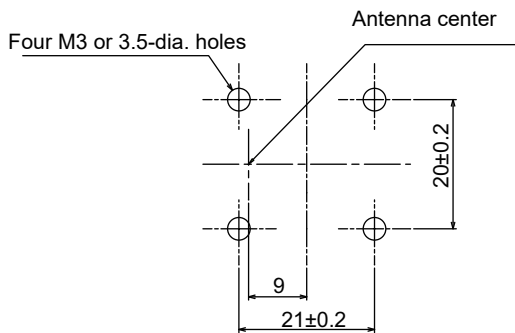
Communications with the ID Tag will be aborted if the Ethernet cable is disconnected or the connection is broken while the Amplifier Unit is communicating with an ID Tag.

CIDRW Heads  
V640-HS61

(Unit: mm)



Mounting dimensions

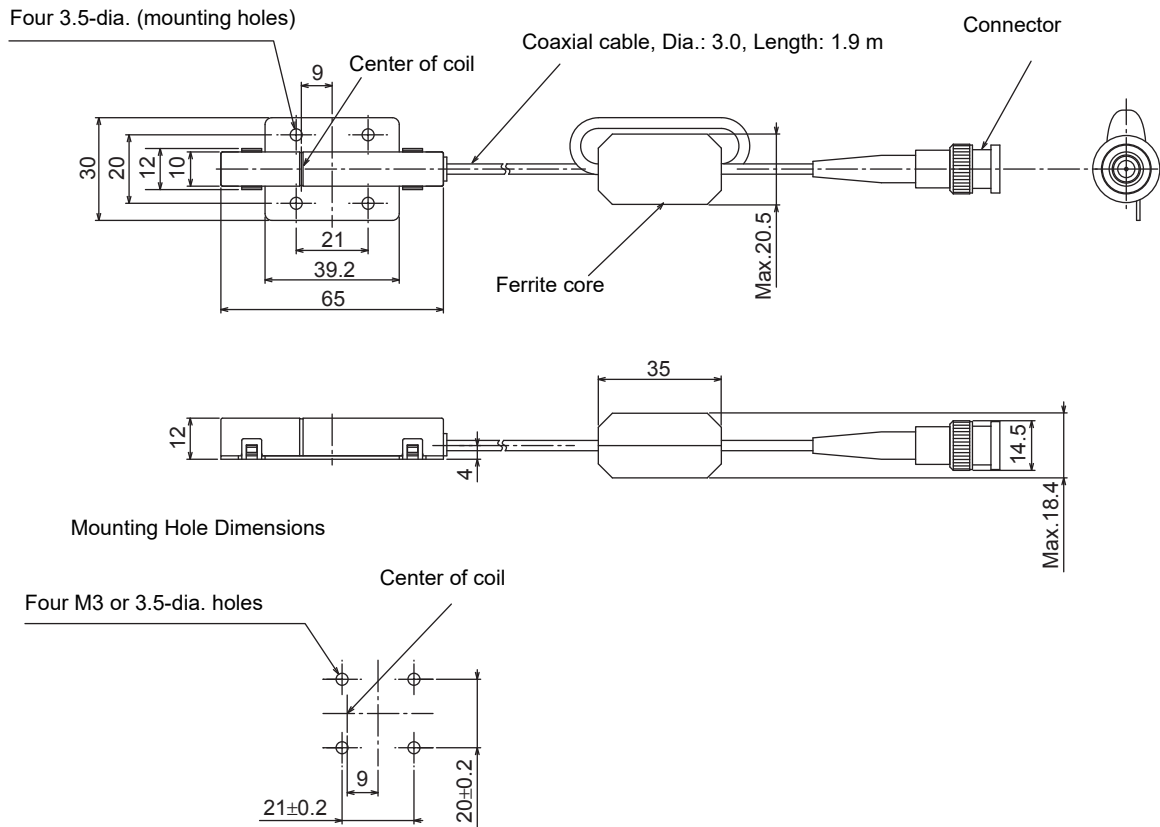


Item	Specifications
Transmission frequency	134 kHz
Ambient temperature	Operating: 0 to +40°C Storage: -15 to +65°C (with no icing)
Ambient humidity	Operating/Storage: 35% to 85% (with no condensation)
Degree of protection	IP60 (IEC60529)
Insulation resistance	20 MΩ min. between all terminals and the case (100 VDC M)
Dielectric strength	Leak current not to exceed 5 mA on application of 1000 VAC (50/60 Hz for 1 minute) between all terminals and the case
Vibration resistance	Frequency: 10 to 150 Hz; double amplitude: 0.20 mm; acceleration: 15 m/s <sup>2</sup> for 8 minutes, 10 times each in X, Y, and Z directions
Shock resistance	Shock of 150 m/s <sup>2</sup> in X, Y, and Z directions, 3 times each for 18 repetitions
Casing material	ABS/epoxy resin Stainless steel mount
Weight	Approx. 70 g
Cable length	2 m
Cable specification	3-mm-dia. coaxial cable



V640-HS62

(Unit: mm)

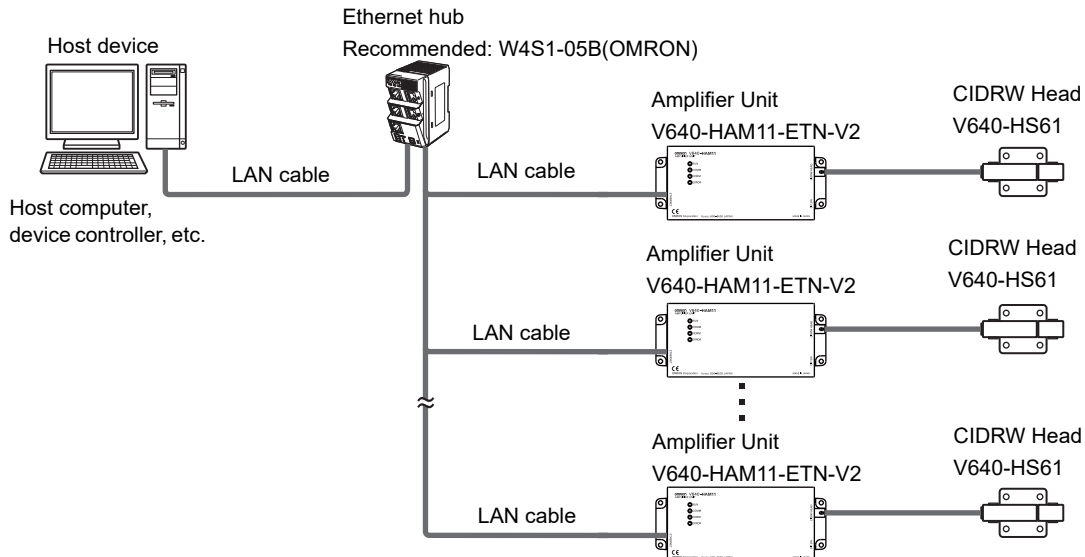


Item	Specifications
Transmission frequency	134 kHz
Ambient temperature	Operating: 0 to +40°C Storage: -15 to +65°C (with no icing)
Ambient humidity	Operating/Storage: 35% to 85% (with no condensation)
Degree of protection	IP60 (IEC60529)
Insulation resistance	20 MΩ min. between all terminals and the case (100 VDC M)
Dielectric strength	Leak current not to exceed 5 mA on application of 1000 VAC (50/60 Hz for 1 minute) between all terminals and the case
Vibration resistance	Frequency: 10 to 150 Hz; double amplitude: 0.20 mm; acceleration: 15 m/s <sup>2</sup> for 8 minutes, 10 times each in X, Y, and Z directions
Shock resistance	Shock of 150 m/s <sup>2</sup> in X, Y, and Z directions, 3 times each for 18 repetitions
Casing material	ABS/epoxy resin Stainless steel mount
Weight	Approx. 100 g
Cable length	1.9 m
Cable specification	3-mm-dia. coaxial cable

# Connection Examples

## V640-HAM11-ETN-V2

Connect the host device and Amplifier Unit using a LAN cable.

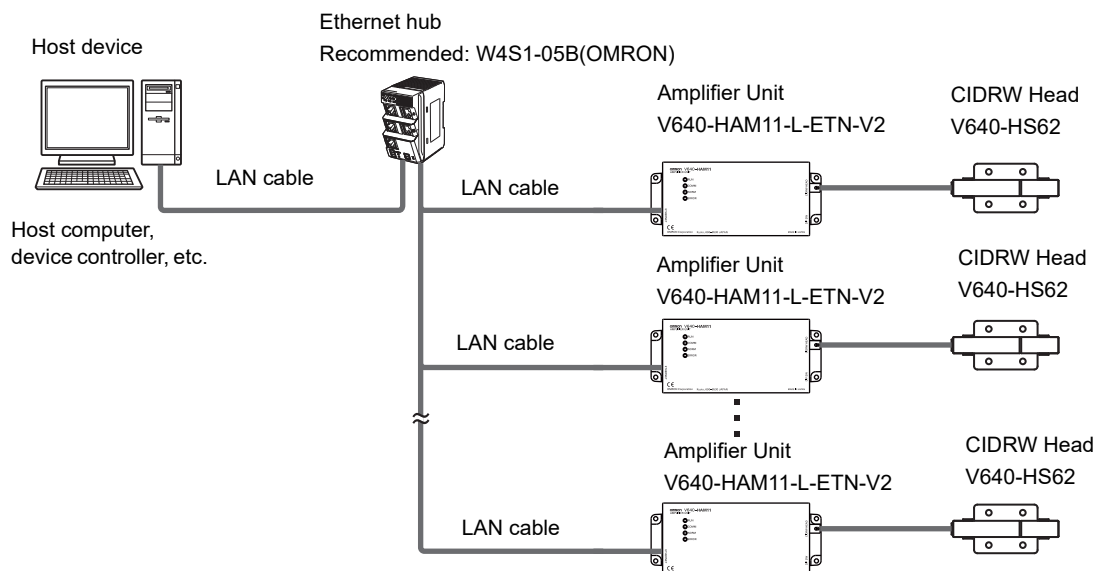


The Amplifier Unit controls the CIDRW Head.

The CIDRW Head is the antenna. It reads and writes carrier IDs and performs other processing for ID Tags.

## V640-HAM11-L-ETN-V2

Connect the host device and Amplifier Unit using a LAN cable.



The Amplifier Unit controls the CIDRW Head.

The CIDRW Head is the antenna. It reads and writes carrier IDs and performs other processing for ID Tags.

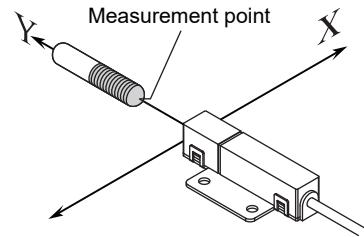
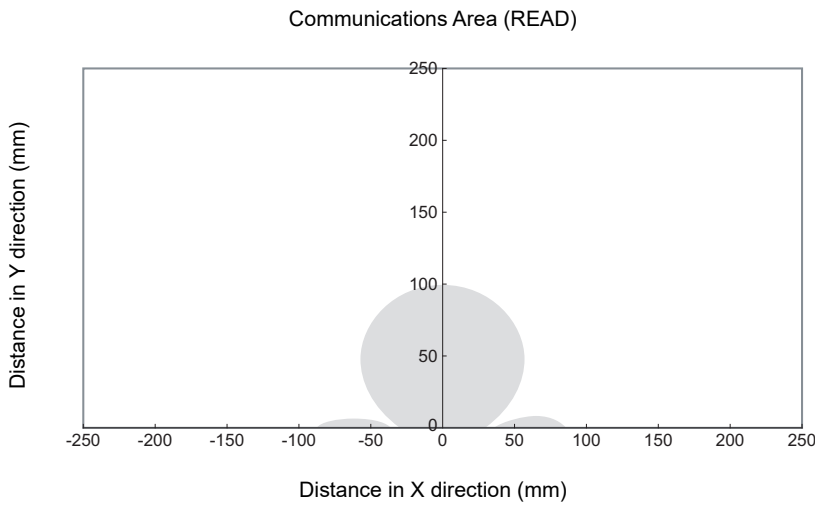
# Characteristic Data According to Conditions of Use

## Maps of Communications Areas (Reference Only)

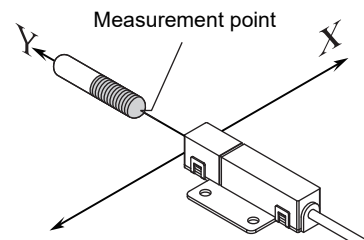
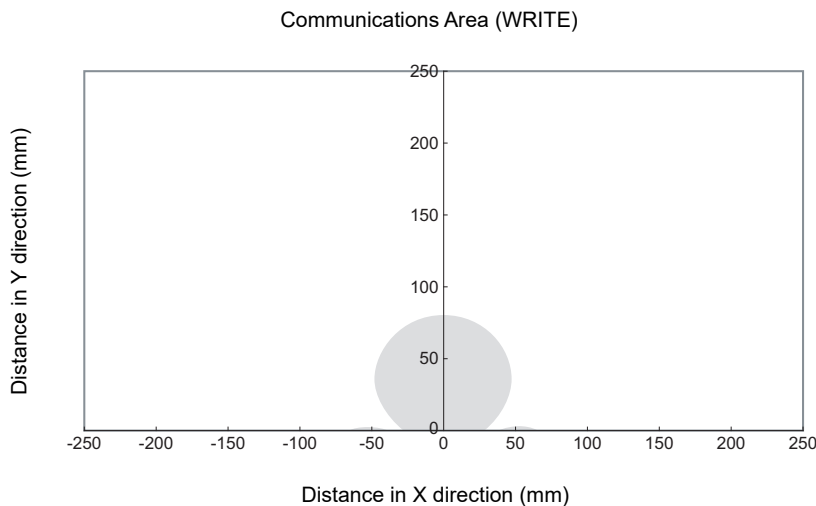
The figures given below for communications areas (communications distances) are reference values only. The maps of communications areas will vary according to the ID Tags that you use, the background metals, the ambient noise, the effects of temperature and so on, and should be thoroughly confirmed on installation. The direction of the ID Tags will affect communications performance. Check the direction of the coils in the ID Tags before using the ID Tags.

### ■ V640-HAM11-ETN-V2

- Coaxial Mounting (RI-TRP-DR2B-30)
  - READ

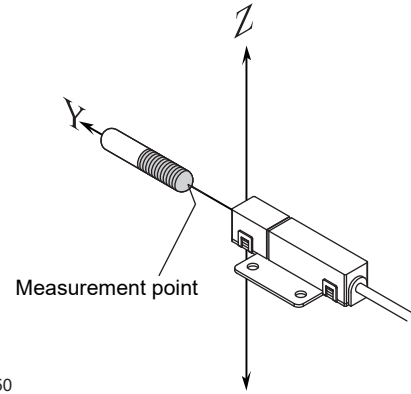
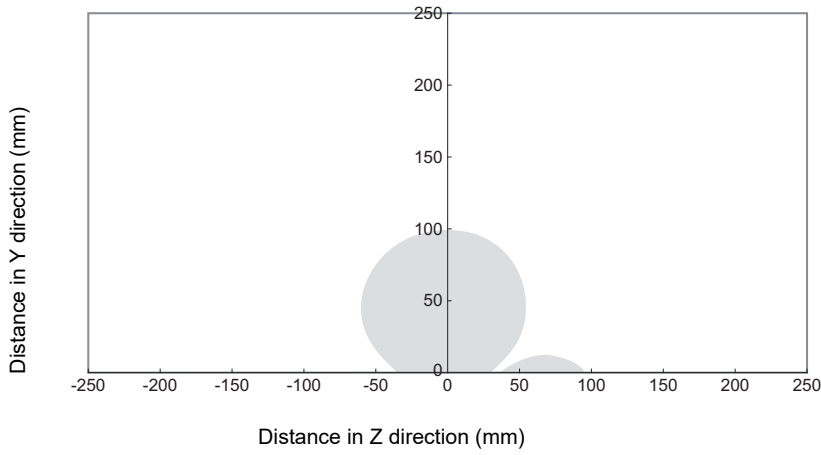


- WRITE



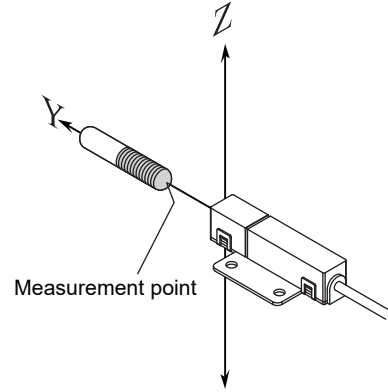
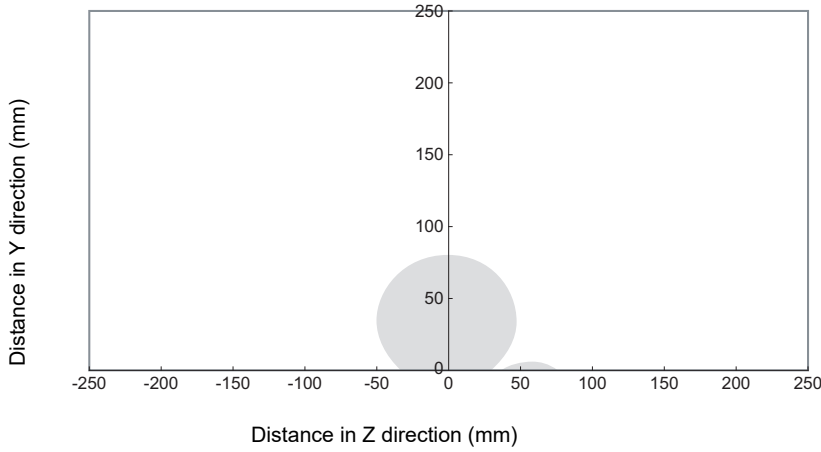
- Coaxial Mounting (RI-TRP-DR2B-30)
  - READ

Communications Area (READ)



- WRITE

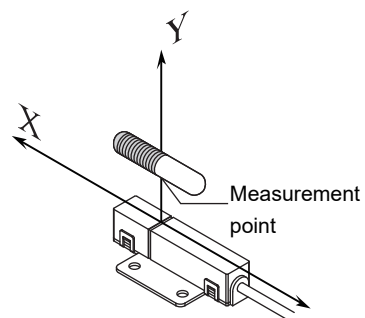
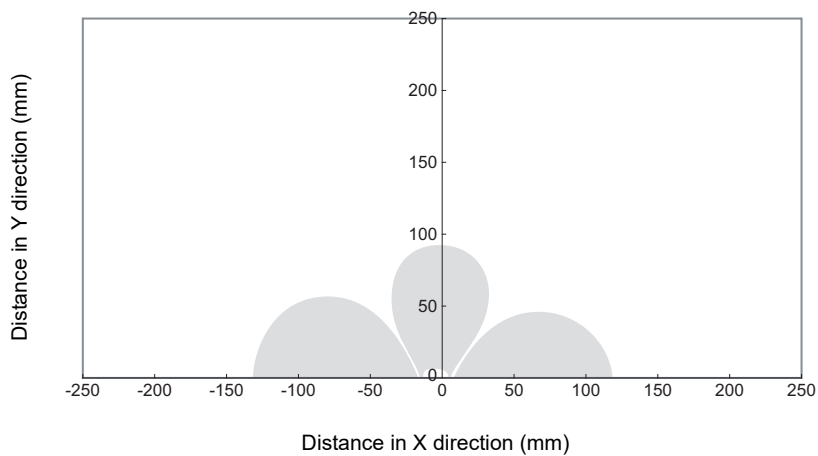
Communications Area (WRITE)



• Parallel Mounting (RI-TRP-DR2B-30)

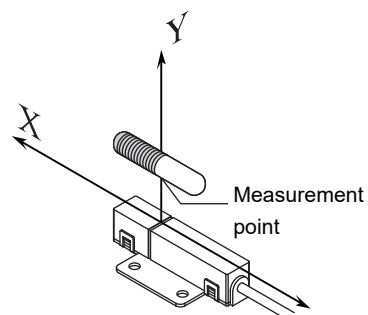
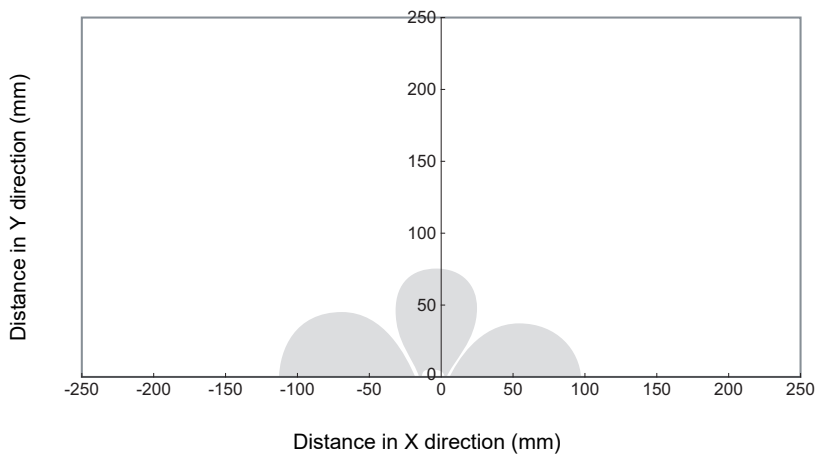
- READ

Communications Area (READ)



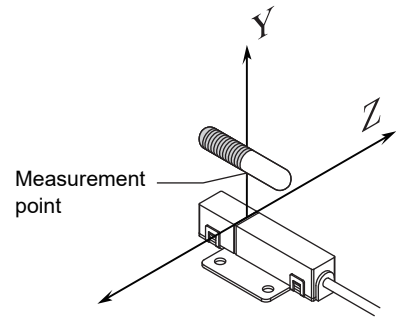
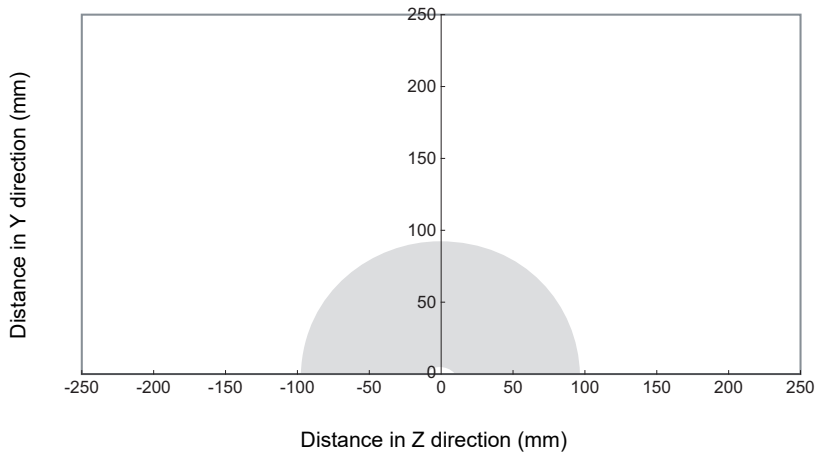
- WRITE

Communications Area (WRITE)



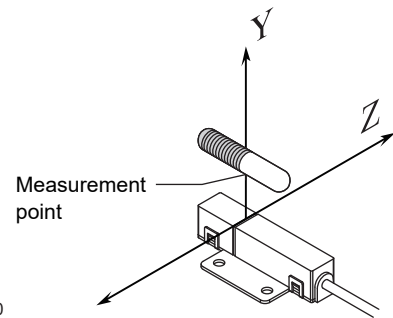
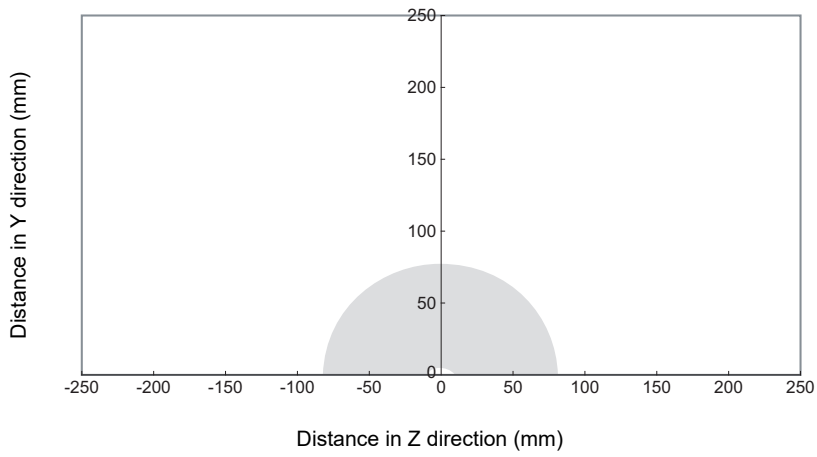
- Parallel Mounting (RI-TRP-DR2B-30)
  - READ

Communications Area (READ)



- WRITE

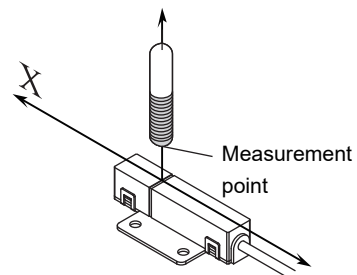
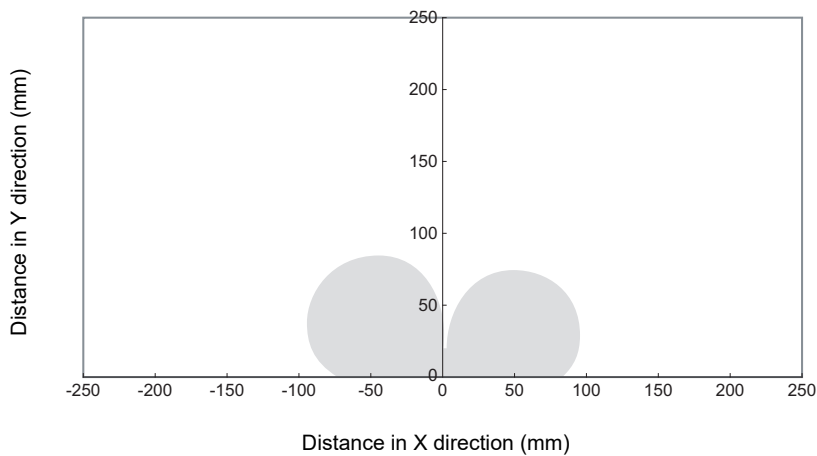
Communications Area (WRITE)



• Vertical Mounting (RI-TRP-DR2B-30)

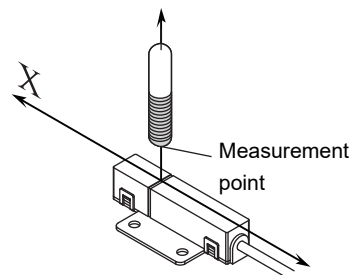
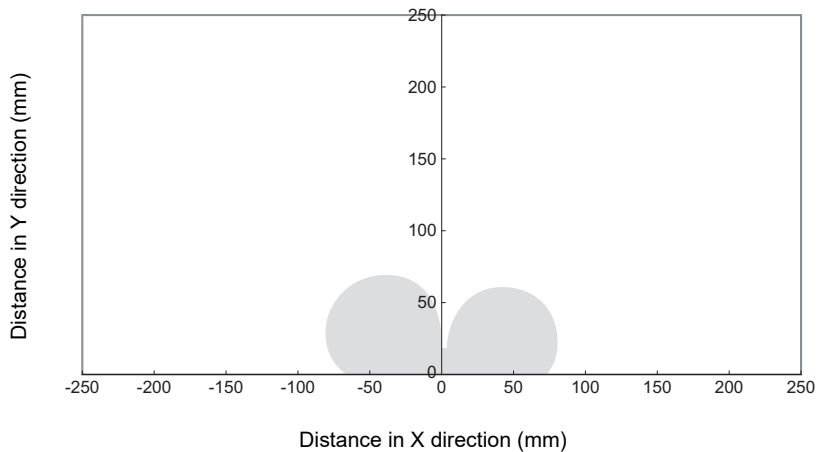
• READ

Communications Area (READ)

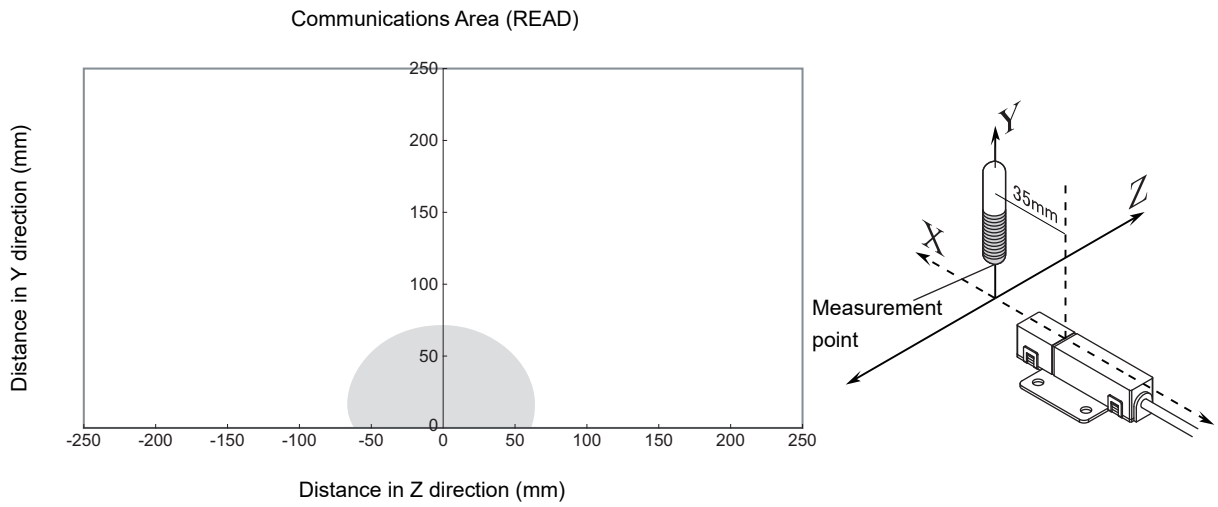


• WRITE

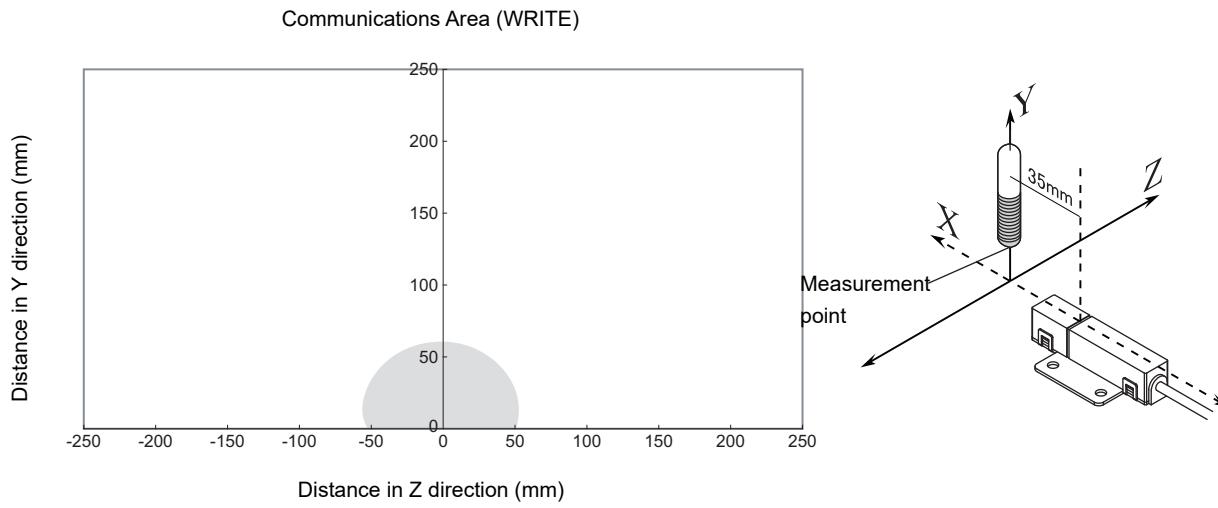
Communications Area (WRITE)



- Vertical Mounting (RI-TRP-DR2B-30)
  - READ



- WRITE

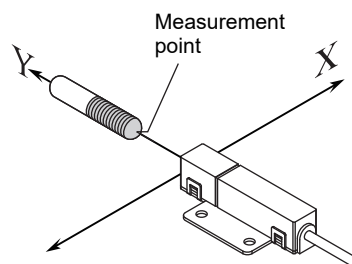
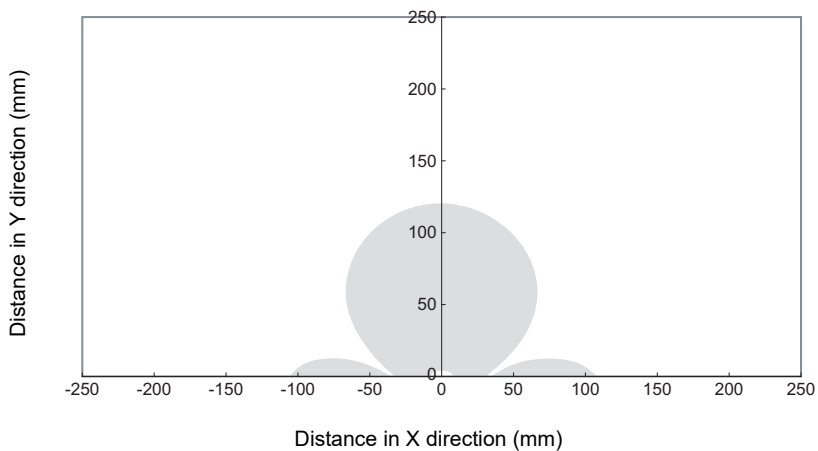




• Coaxial Mounting (RI-TRP-WR2B)

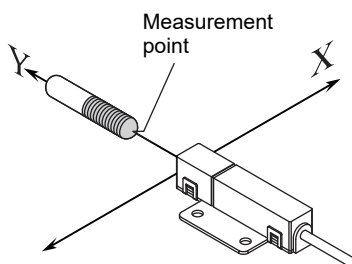
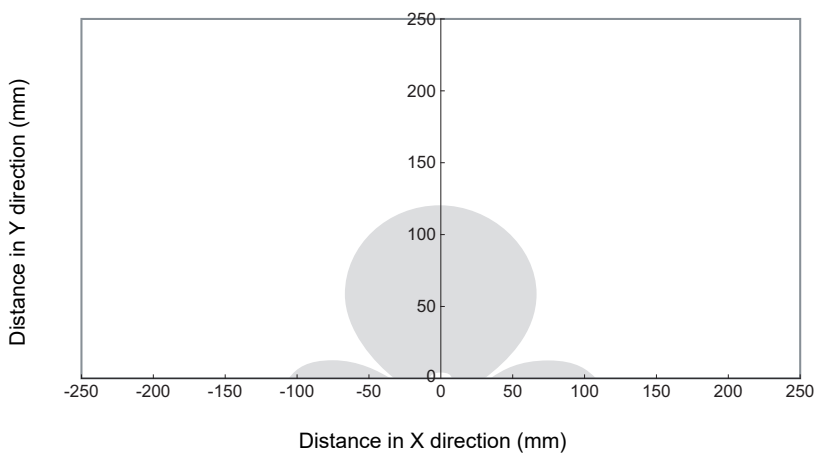
• READ

Communications Area (READ)



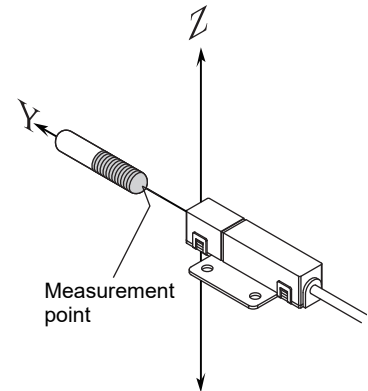
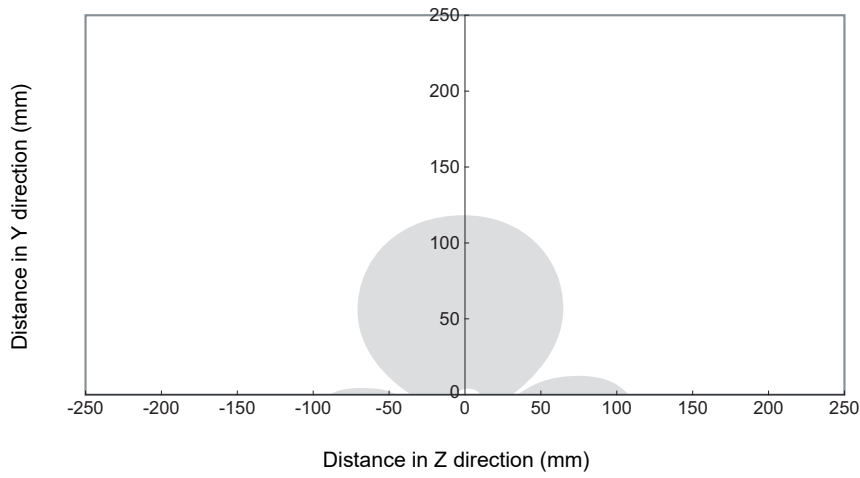
• WRITE

Communications Area (WRITE)



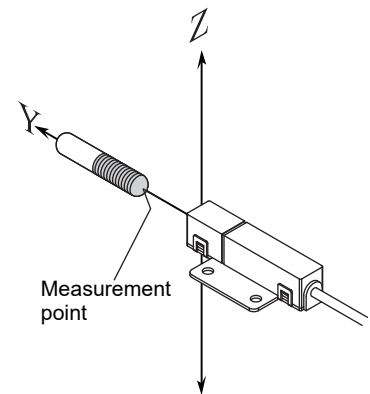
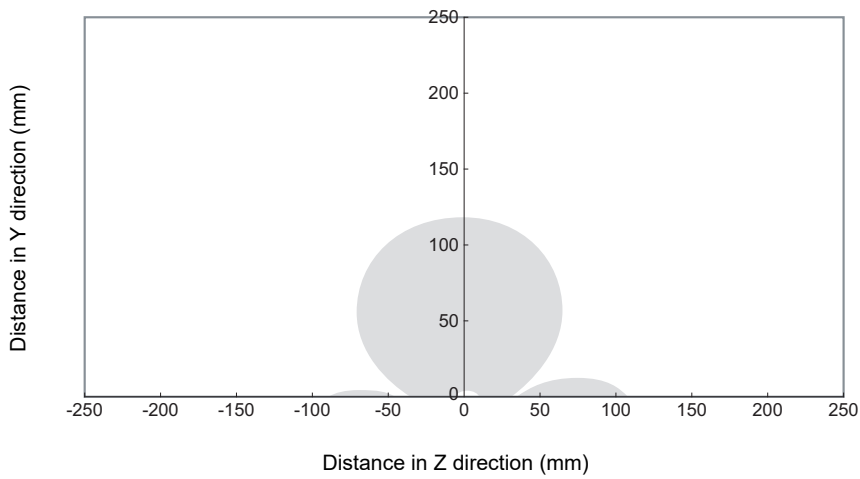
- Coaxial Mounting (RI-TRP-WR2B)
  - READ

Communications Area (READ)



- WRITE

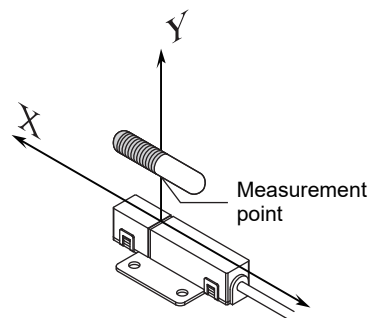
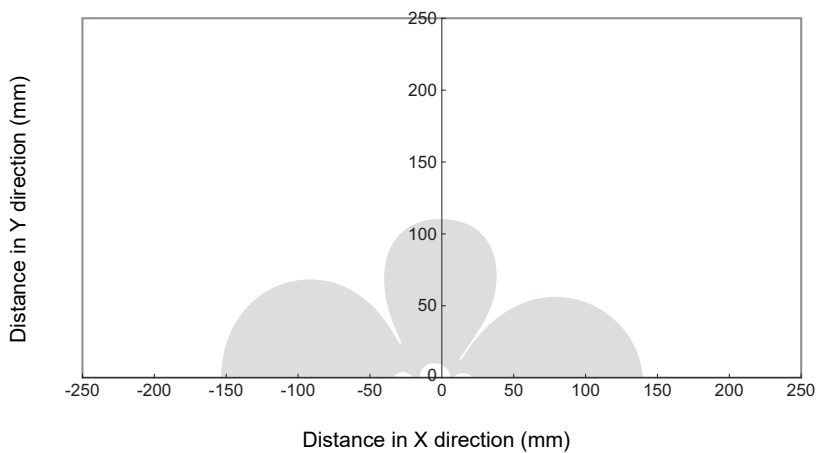
Communications Area (WRITE)



• Parallel Mounting (RI-TRP-WR2B)

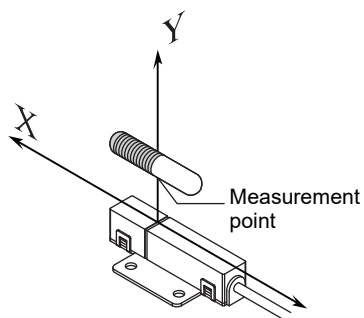
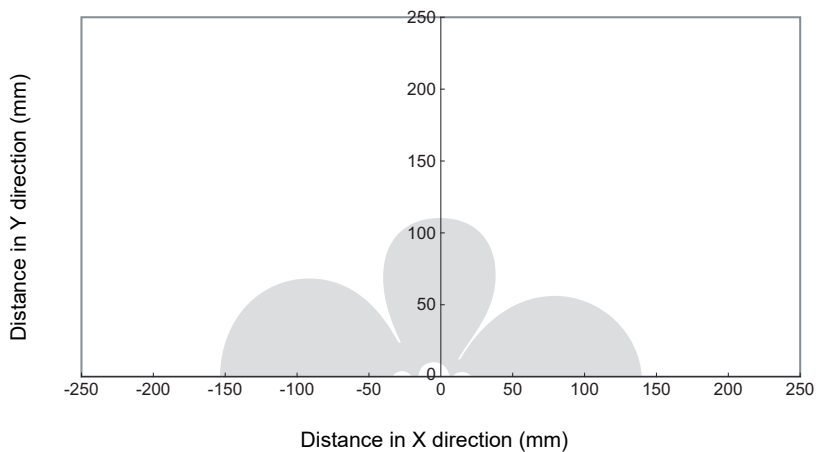
- READ

Communications Area (READ)

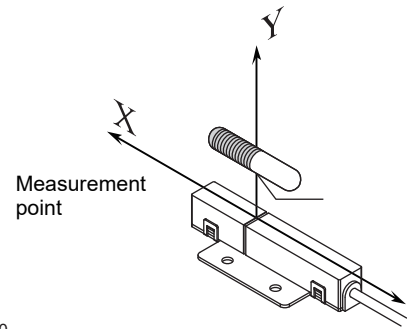
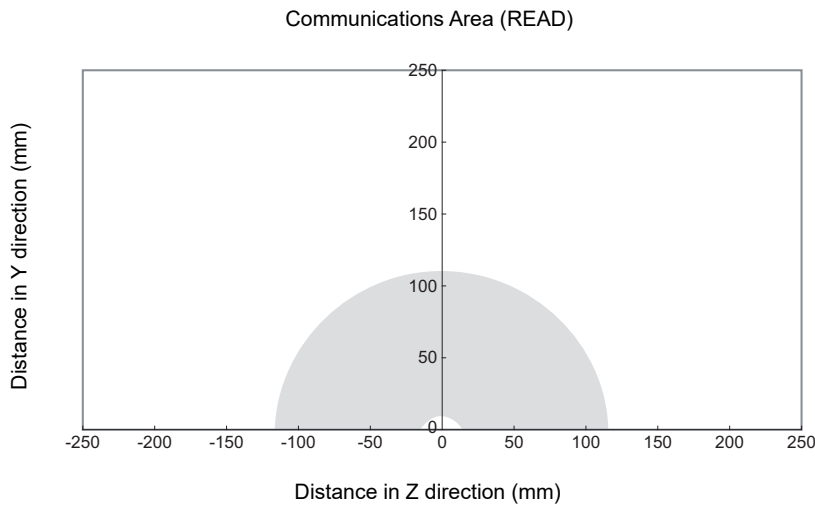


- WRITE

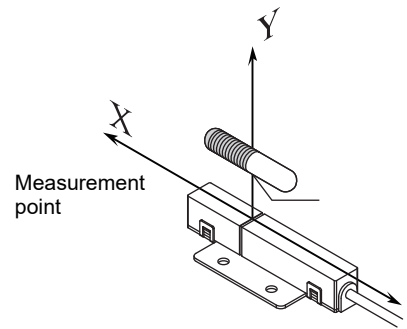
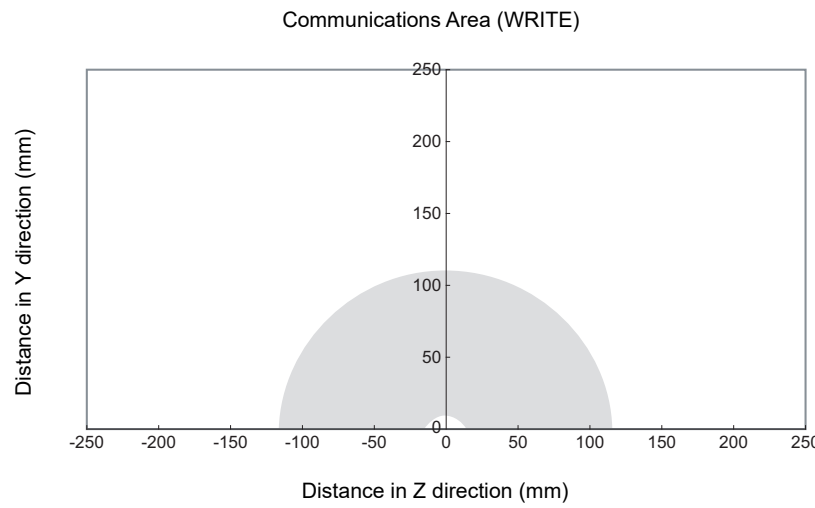
Communications Area (WRITE)



- Parallel Mounting (RI-TRP-WR2B)
  - READ



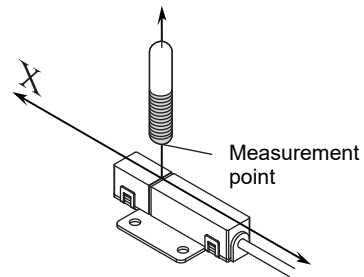
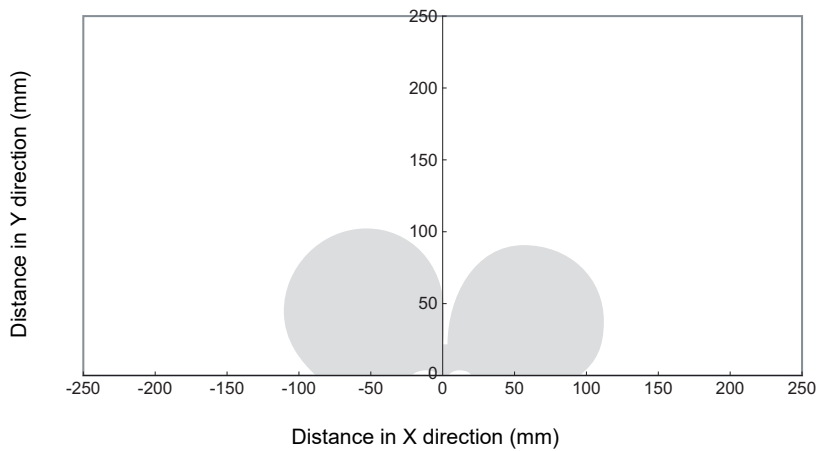
- WRITE



• Vertical Mounting (RI-TRP-WR2B)

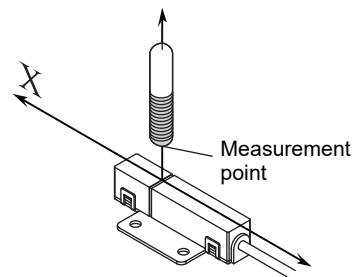
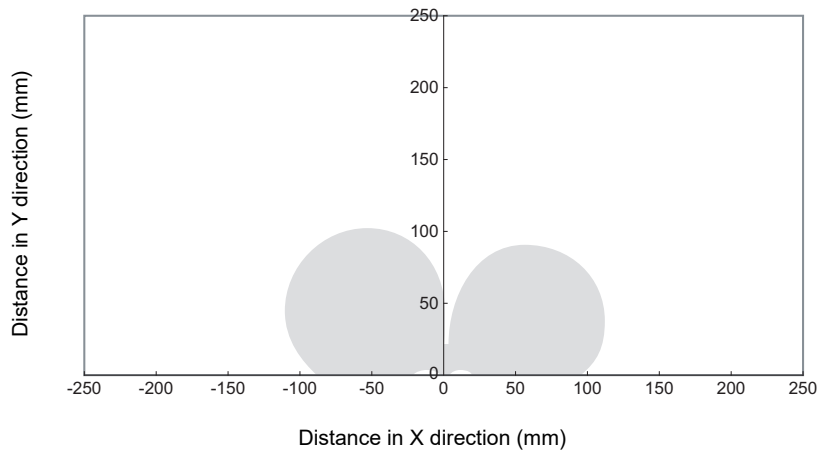
• READ

Communications Area (READ)



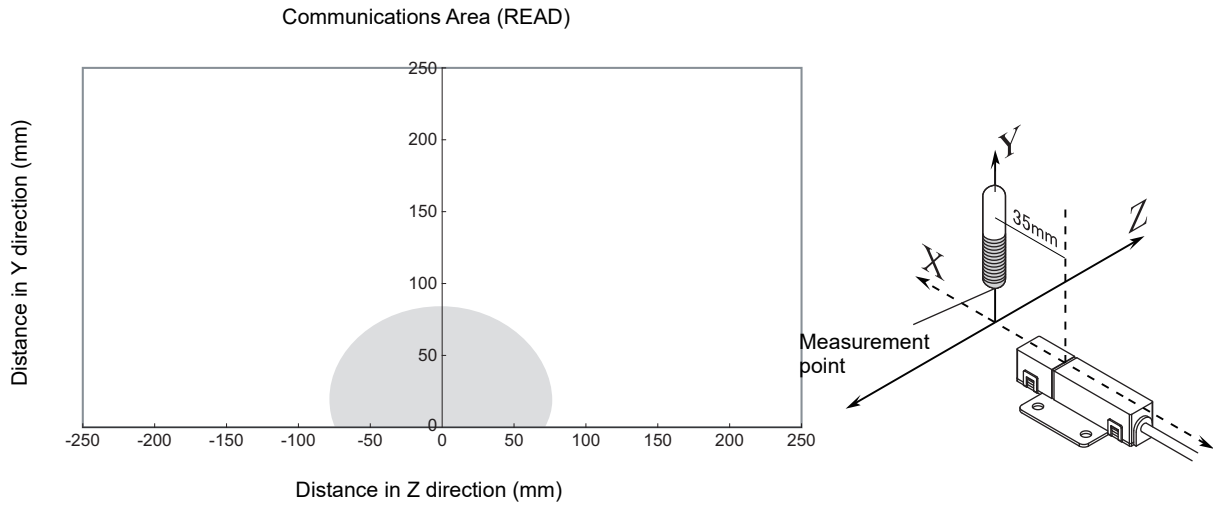
• WRITE

Communications Area (WRITE)

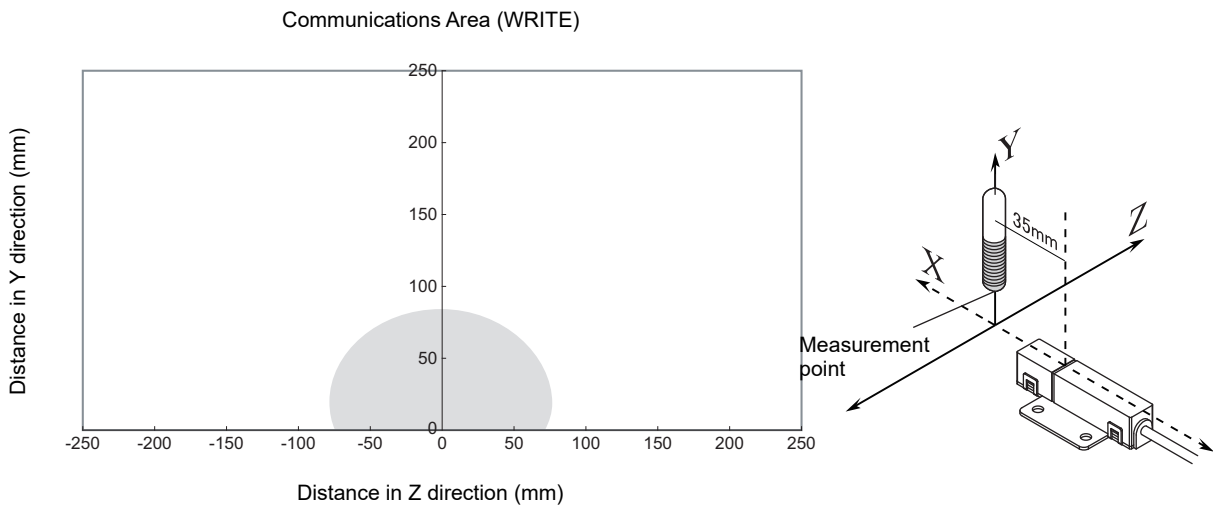


- Vertical Mounting (RI-TRP-WR2B)

- READ



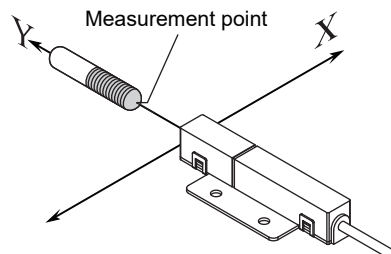
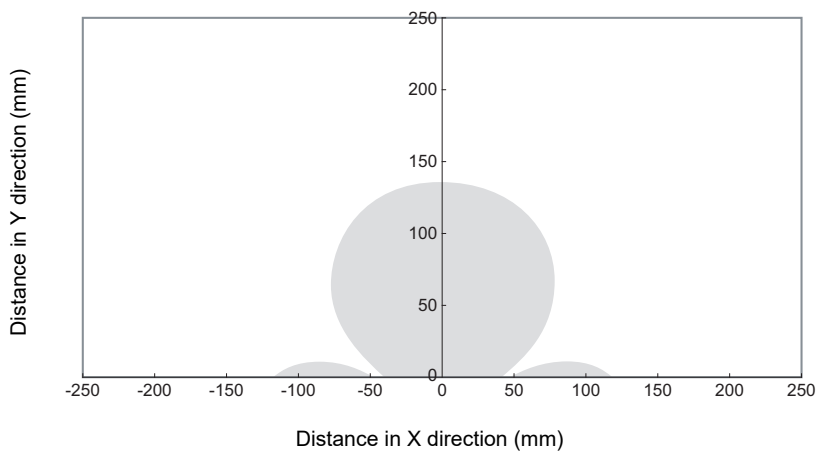
- WRITE



■ V640-HAM11-L-ETN-V2

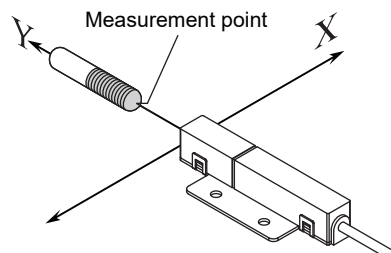
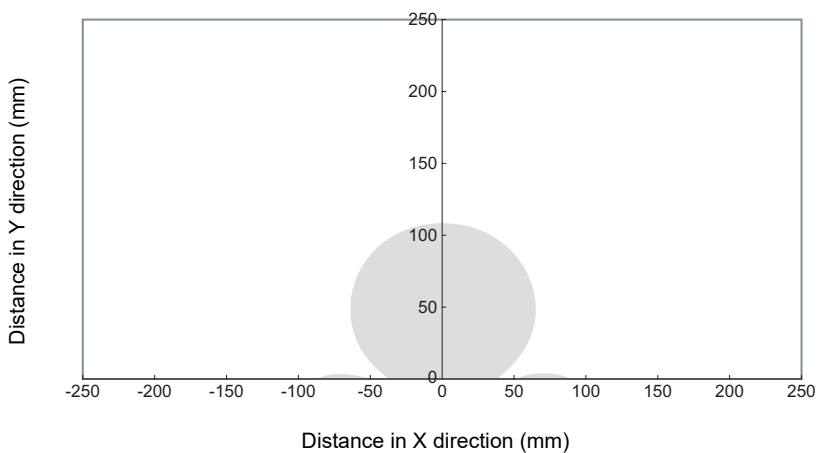
- Coaxial Mounting (RI-TRP-DR2B-30)
- READ

Communications Area (READ)

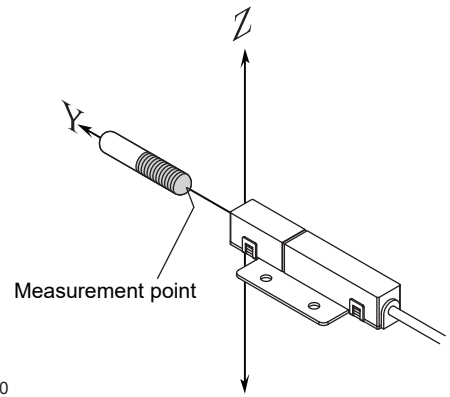
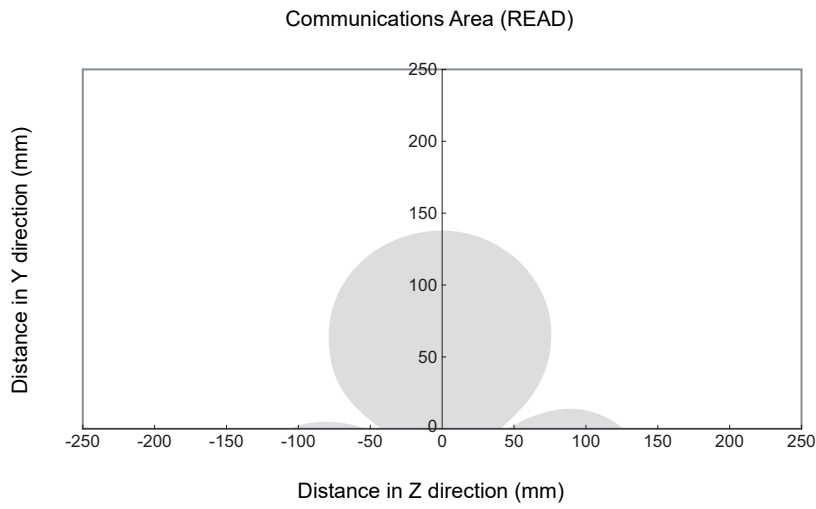


- WRITE

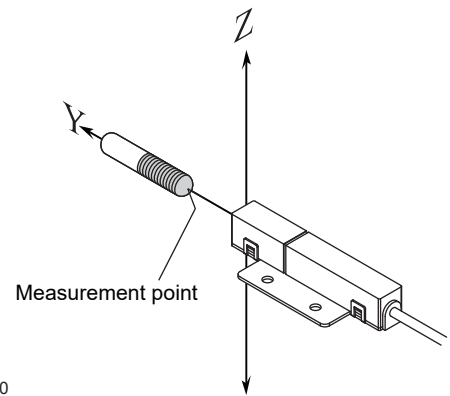
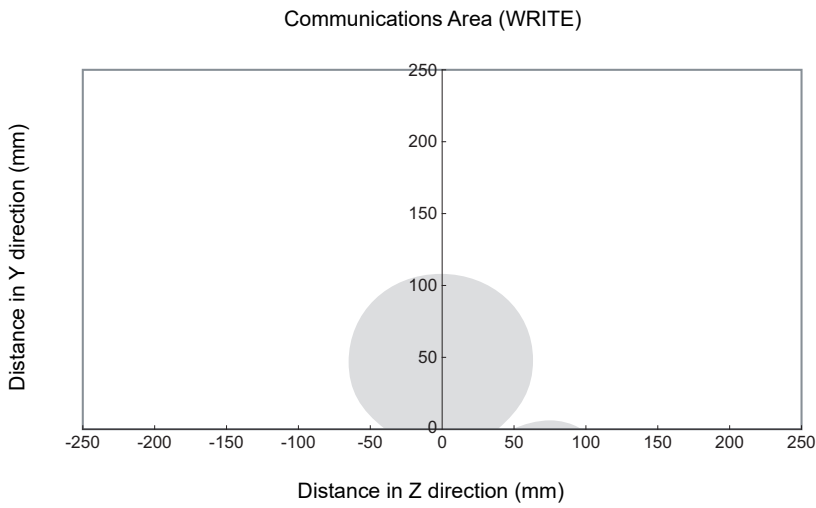
Communications Area (WRITE)



- Coaxial Mounting (RI-TRP-DR2B-30)
  - READ



- WRITE

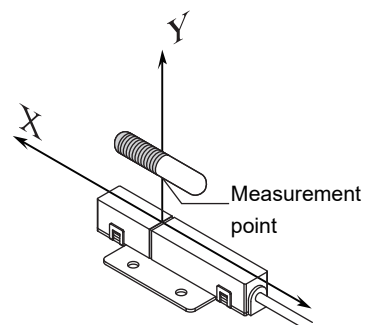
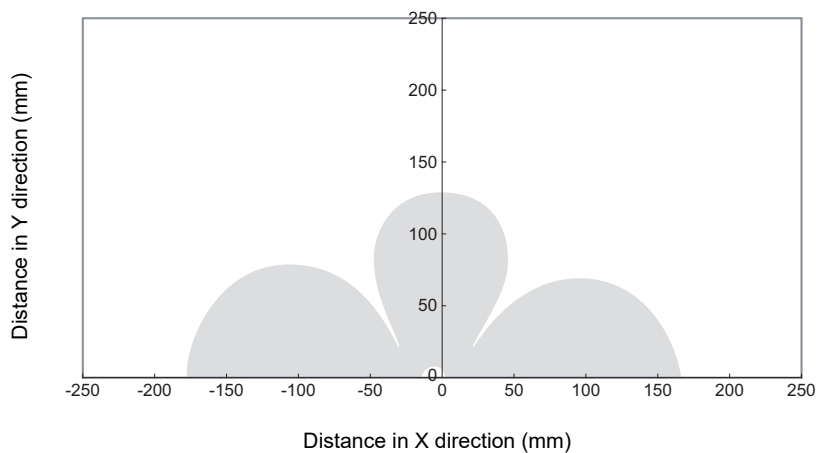




• Parallel Mounting (RI-TRP-DR2B-30)

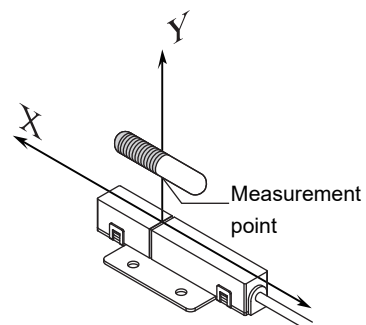
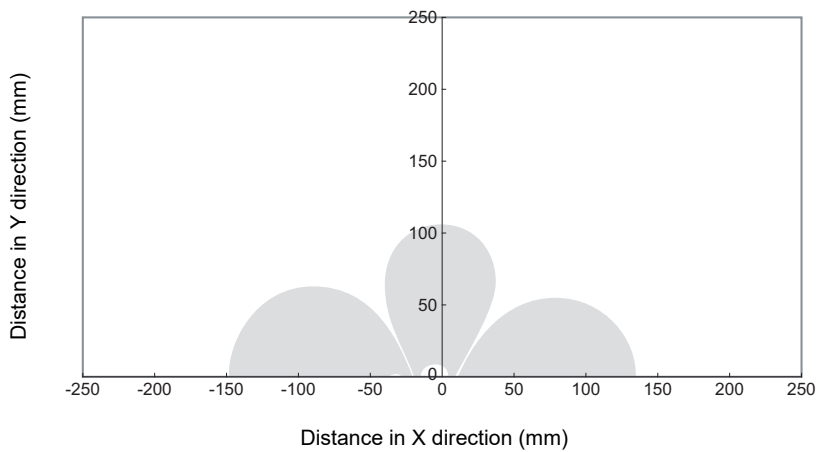
- READ

Communications Area (READ)

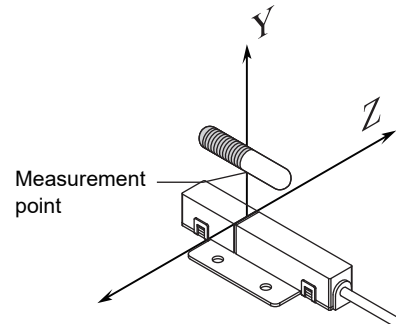
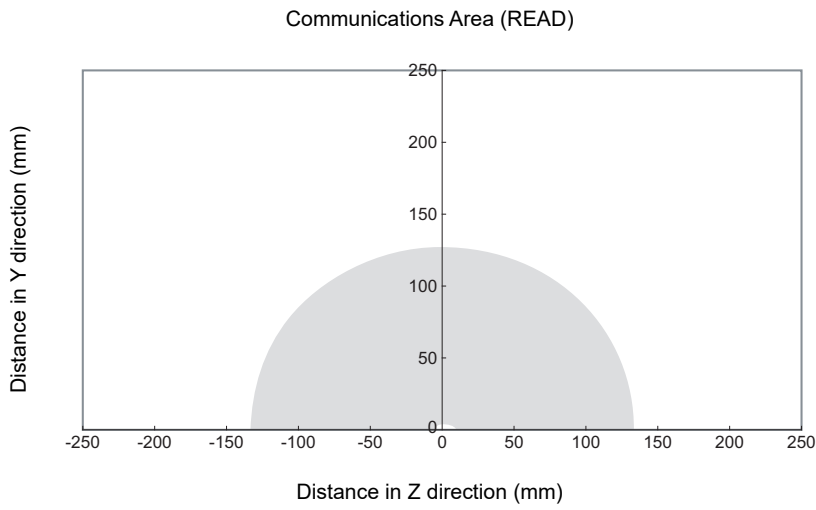


- WRITE

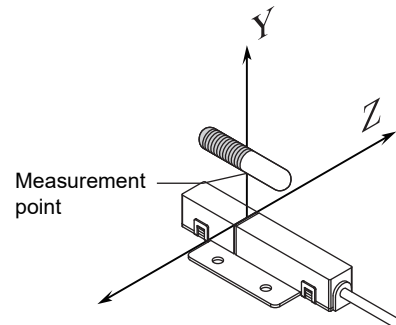
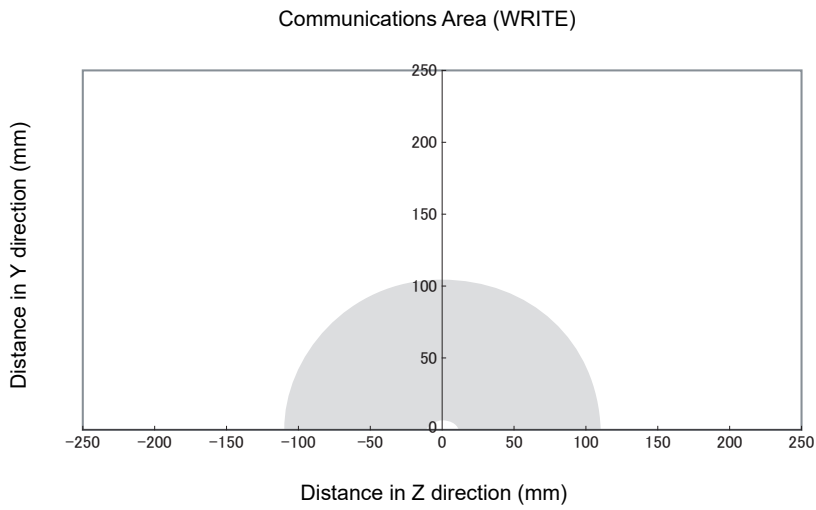
Communications Area (WRITE)



- Parallel Mounting (RI-TRP-DR2B-30)
  - READ



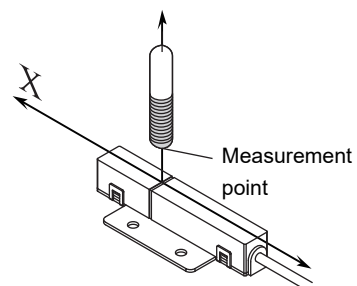
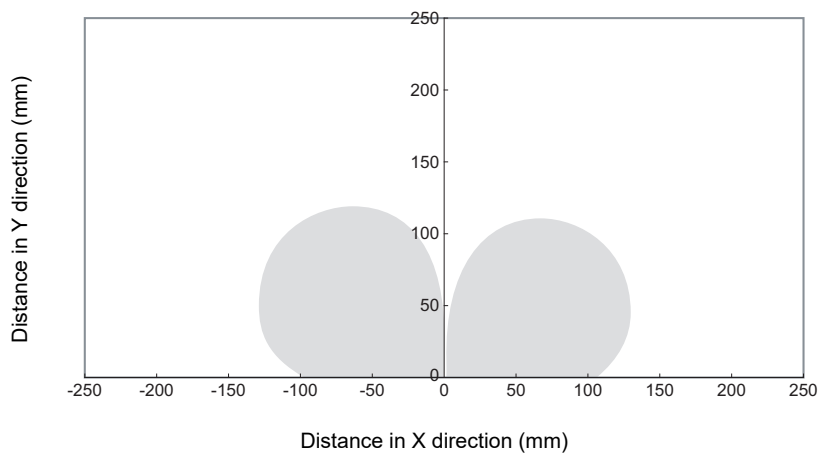
- WRITE



• Vertical Mounting (RI-TRP-DR2B-30)

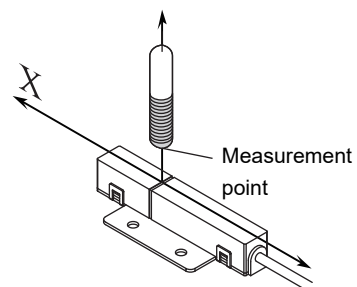
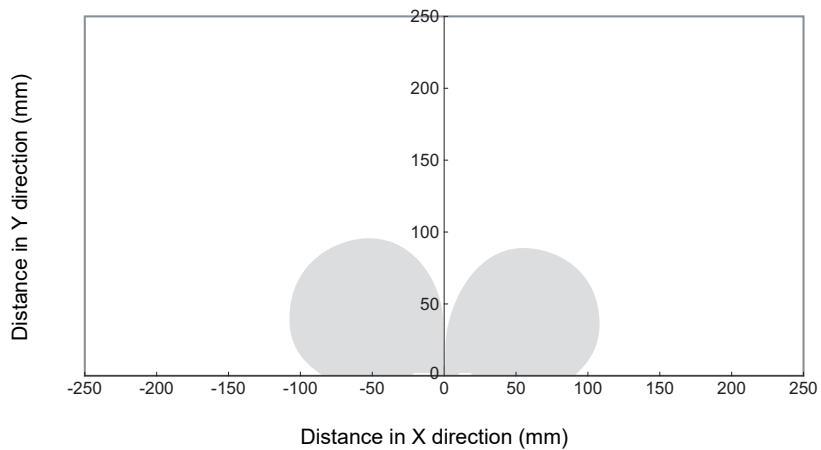
• READ

Communications Area (READ)



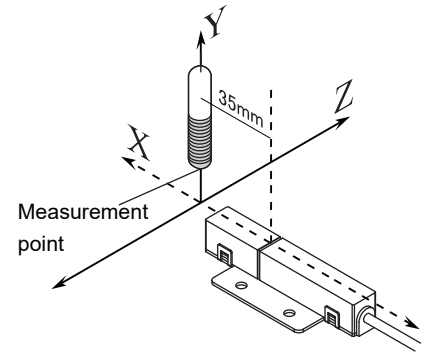
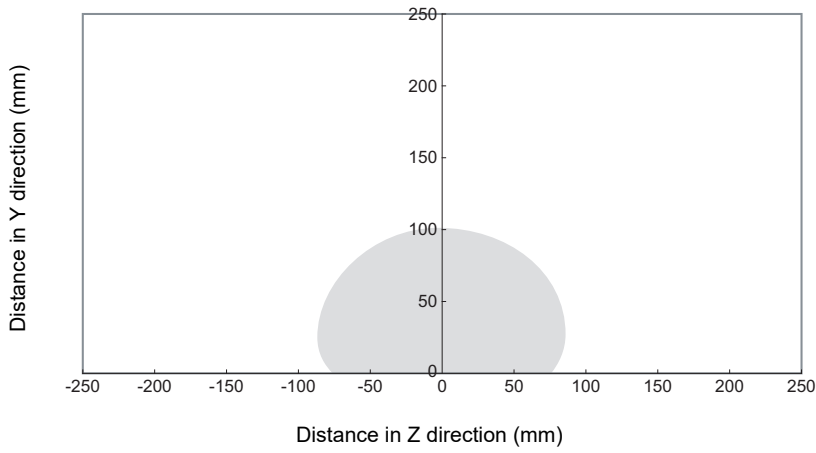
• WRITE

Communications Area (WRITE)



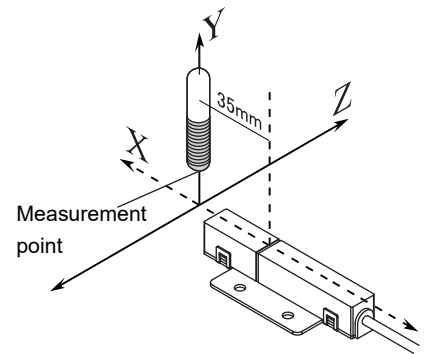
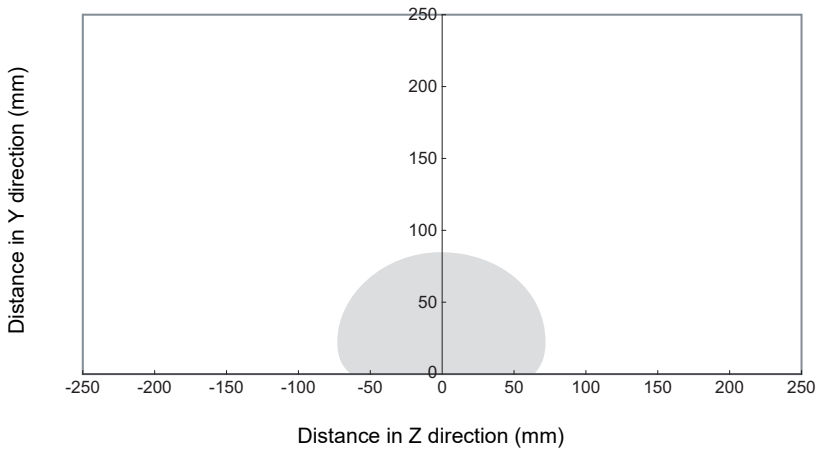
- Vertical Mounting (RI-TRP-DR2B-30)
  - READ

Communications Area (READ)



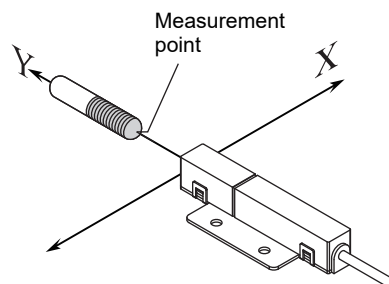
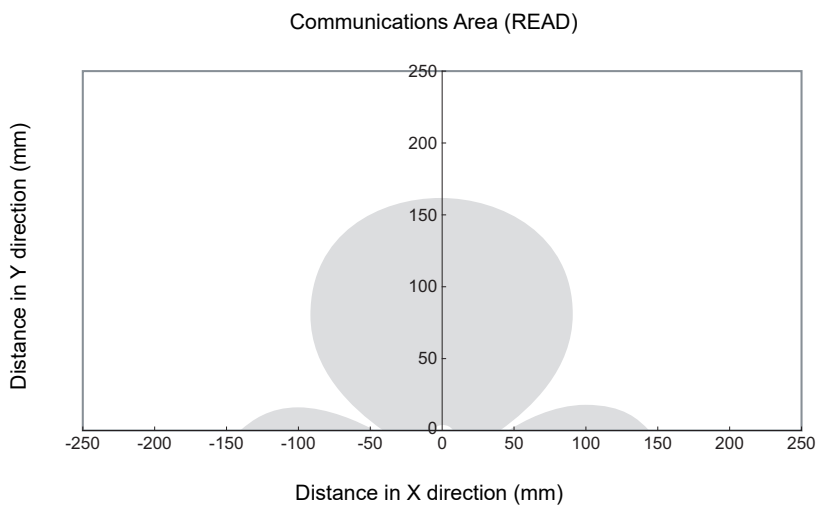
- WRITE

Communications Area (WRITE)

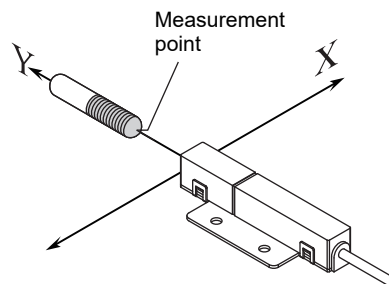
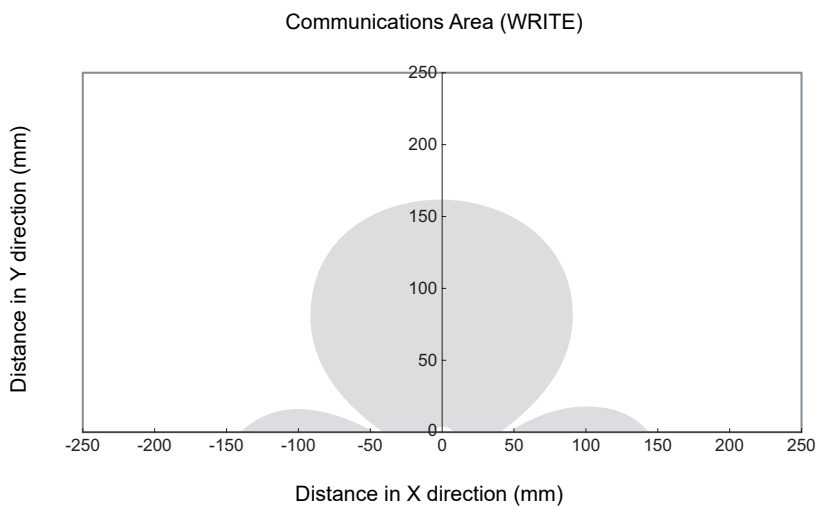


• Coaxial Mounting (RI-TRP-WR2B)

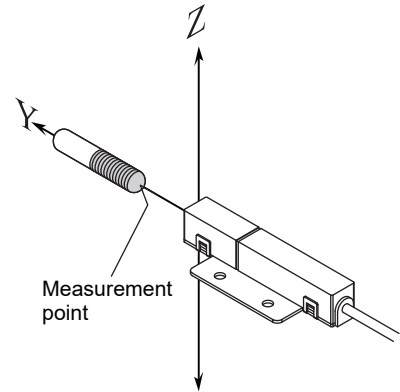
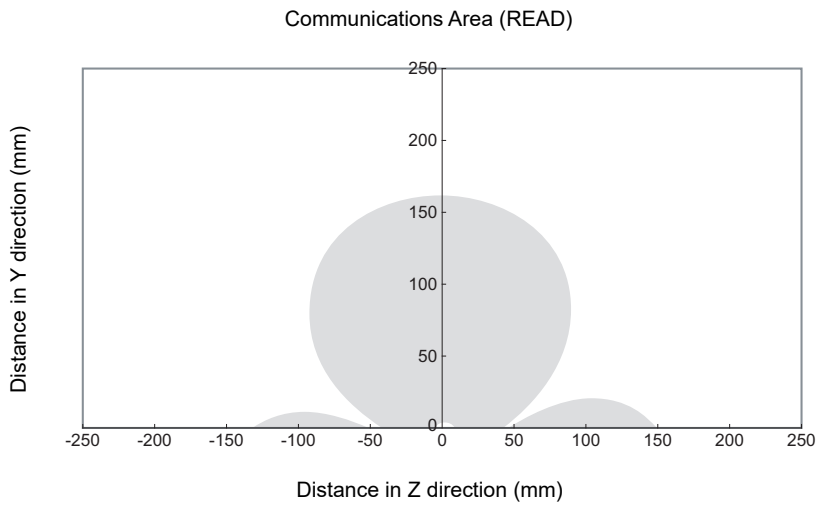
• READ



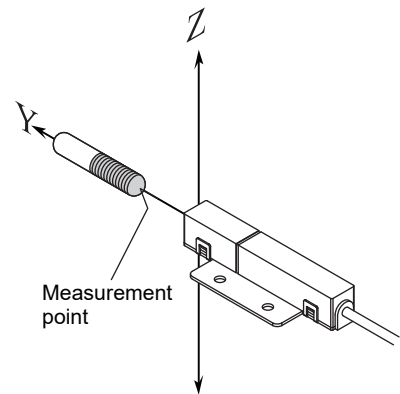
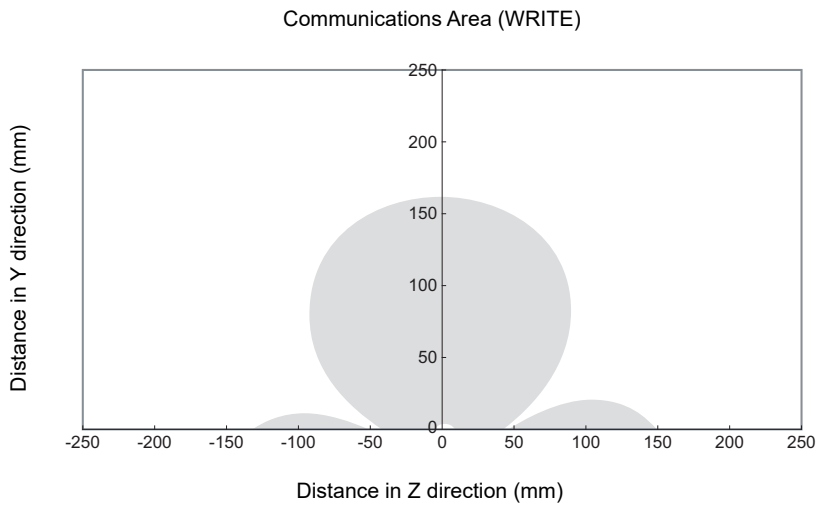
• WRITE



- Coaxial Mounting (RI-TRP-WR2B)
  - READ



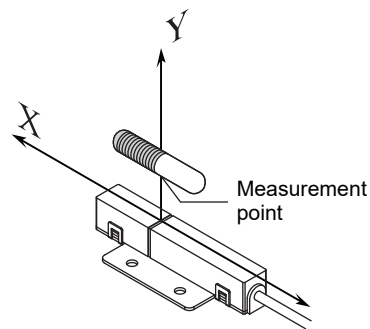
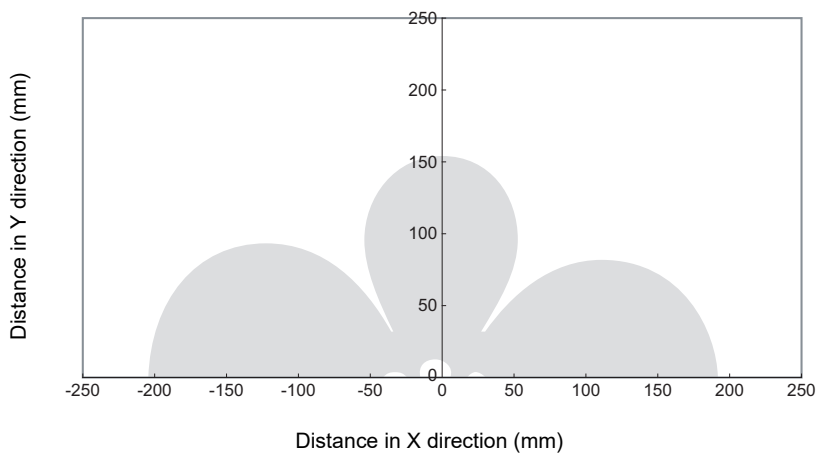
- WRITE



• Parallel Mounting (RI-TRP-WR2B)

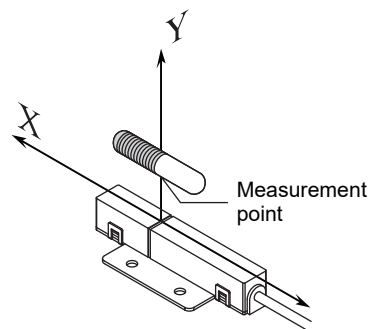
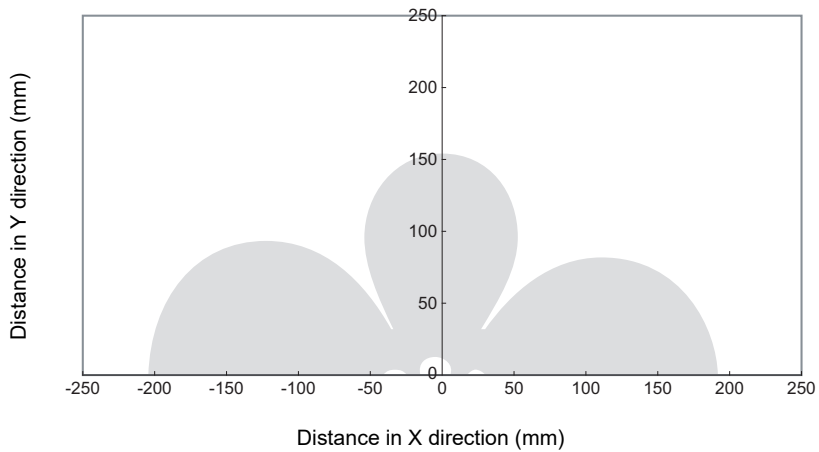
- READ

Communications Area (READ)



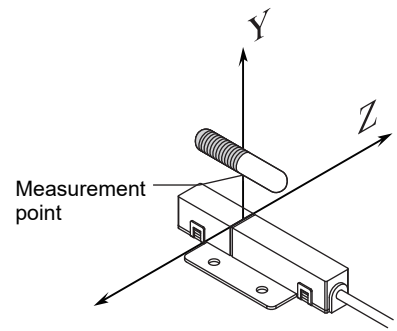
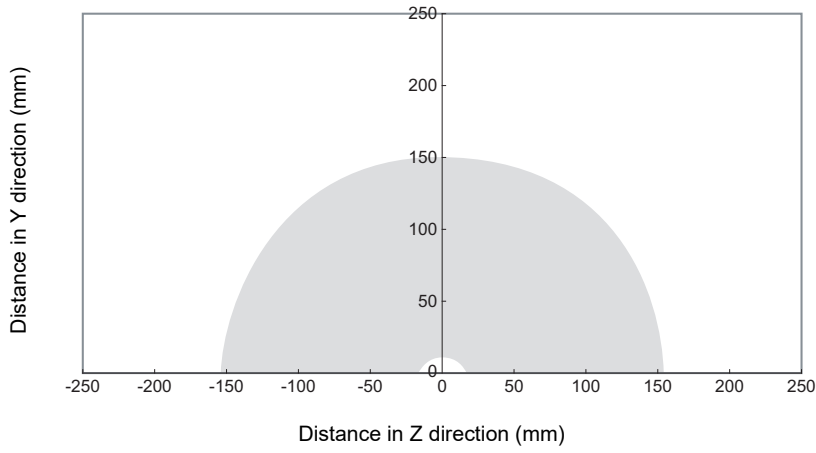
- WRITE

Communications Area (WRITE)



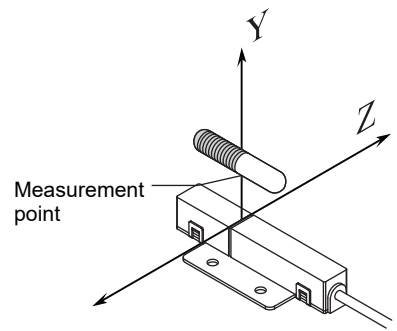
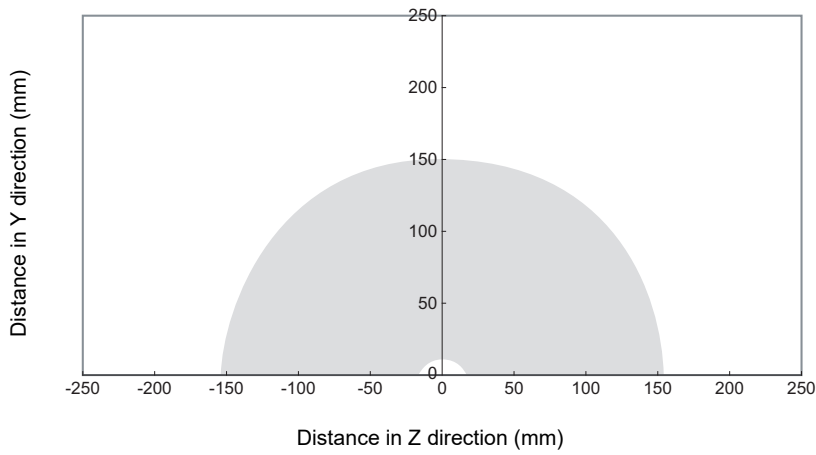
- Parallel Mounting (RI-TRP-WR2B)
  - READ

Communications Area (READ)



- WRITE

Communications Area (WRITE)

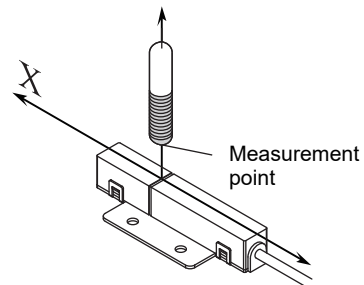
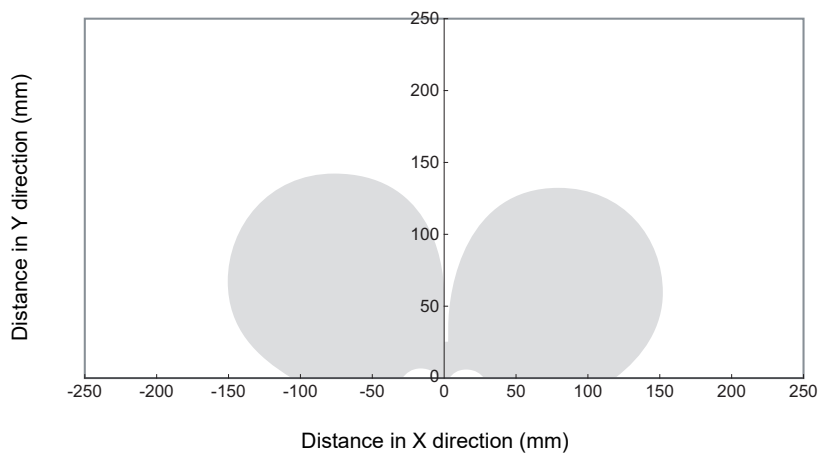




• Vertical Mounting (RI-TRP-WR2B)

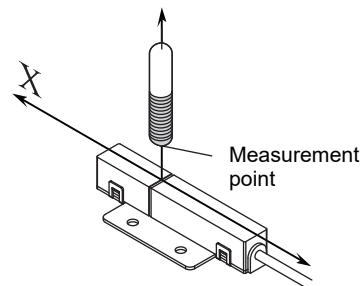
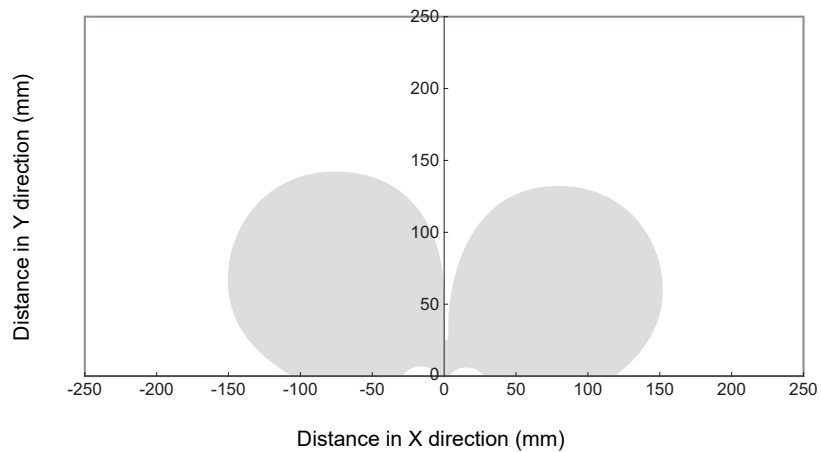
• READ

Communications Area (READ)

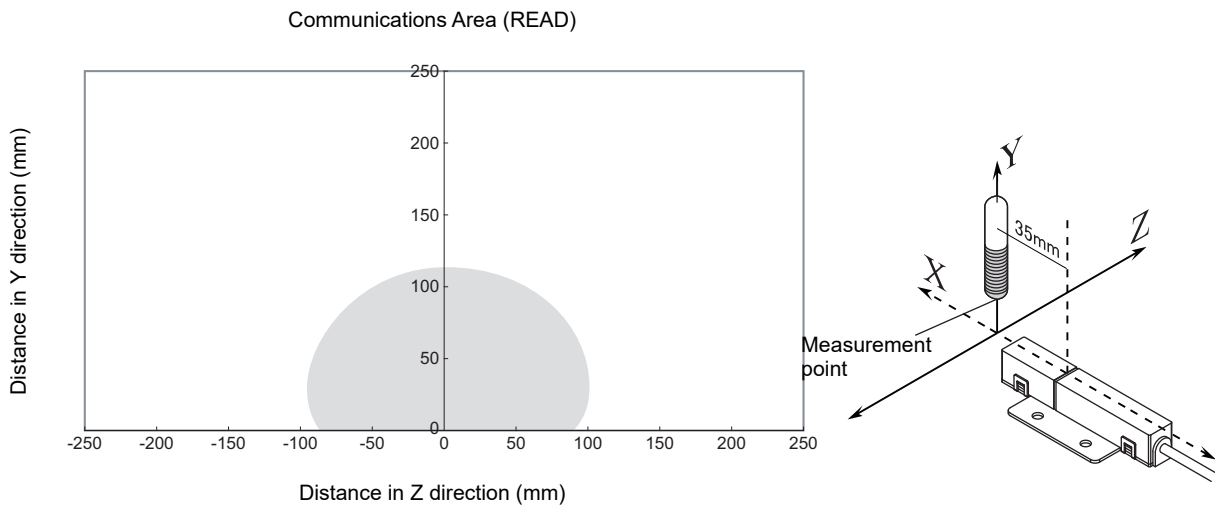


• WRITE

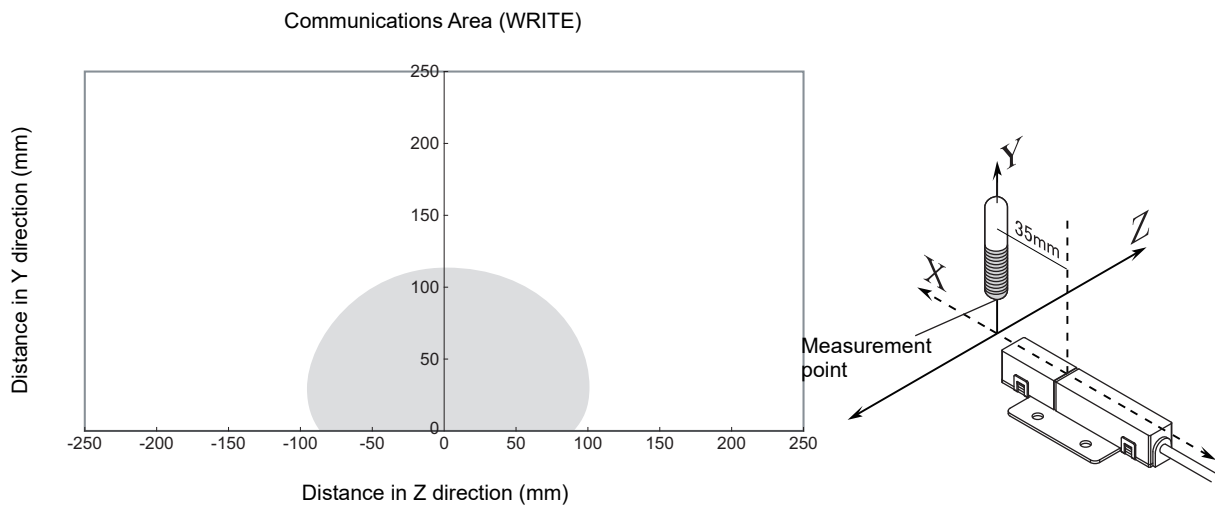
Communications Area (WRITE)



- Vertical Mounting (RI-TRP-WR2B)
  - READ



- WRITE



## Mutual Interference Distances (Reference Only)

- When amplifier units are connected using multidrop connections and multiple CIDRW Heads are used

The CIDRW Heads will not process commands simultaneously. In this case, install the CIDRW Heads at least 0.1 m apart from each other.

- When the CIDRW Systems are installed close to each other

### Distance between Antennas and Changes in Communications Distances (Reference Only)

- V640-HS61

Distance between Antennas	Change in communications distance
1,000 mm	100%
900 mm	100%
800 mm	100%
700 mm	99%
600 mm	90%
500 mm	74%
400 mm	55%
300 mm	40%
200 mm	15%

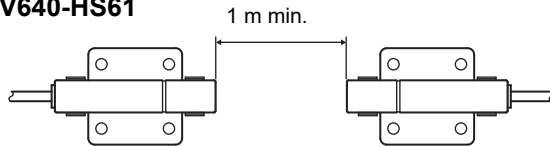
- V640-HS62

Distance between Antennas	Change in communications distance
2,000 mm	99%
1,600 mm	99%
1,400 mm	95%
1,200 mm	84%
1,000 mm	68%
800 mm	53%
600 mm	34%
400 mm	15%
200 mm	0%

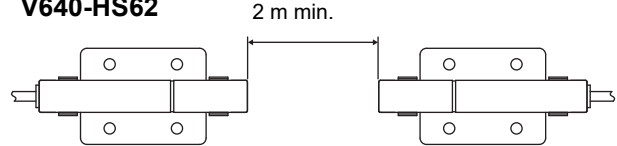
If CIDRW Heads in separate CIDRW systems process commands simultaneously, mutual interference between the Heads can result in malfunctions. If this is a problem, install the CIDRW Heads separated at least by the distances shown in the following illustrations.

- For Coaxial Installation

- V640-HS61

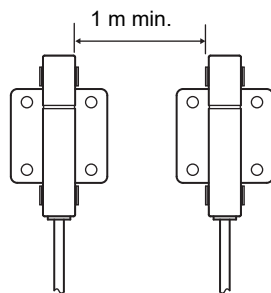


- V640-HS62

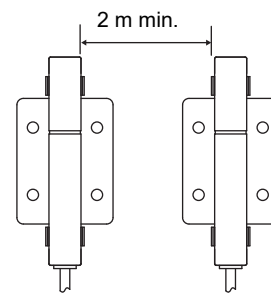


- For Parallel Installation

- V640-HS61

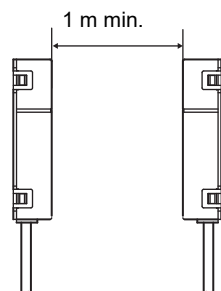


- V640-HS62

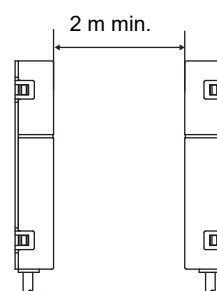


- For Face-to-Face Installation

- V640-HS61

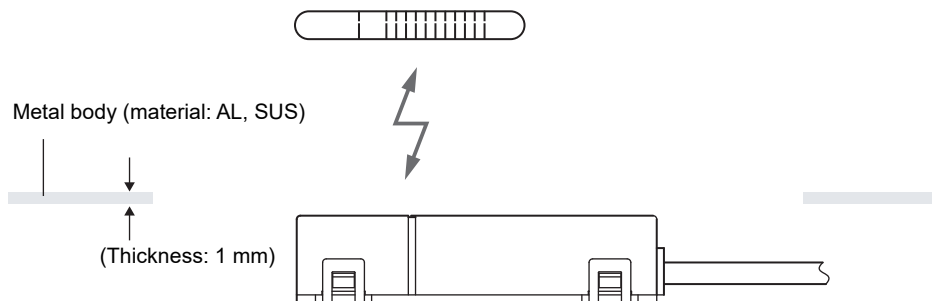


- V640-HS62



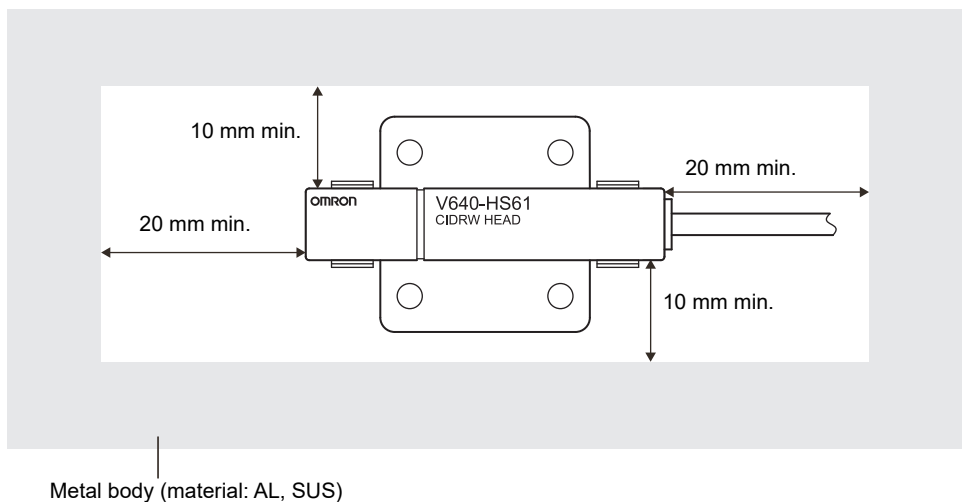
## Influence of Background Metals (Reference Only)

The CIDRW Head can also communicate from an opening in a ceiling panel (metal body).

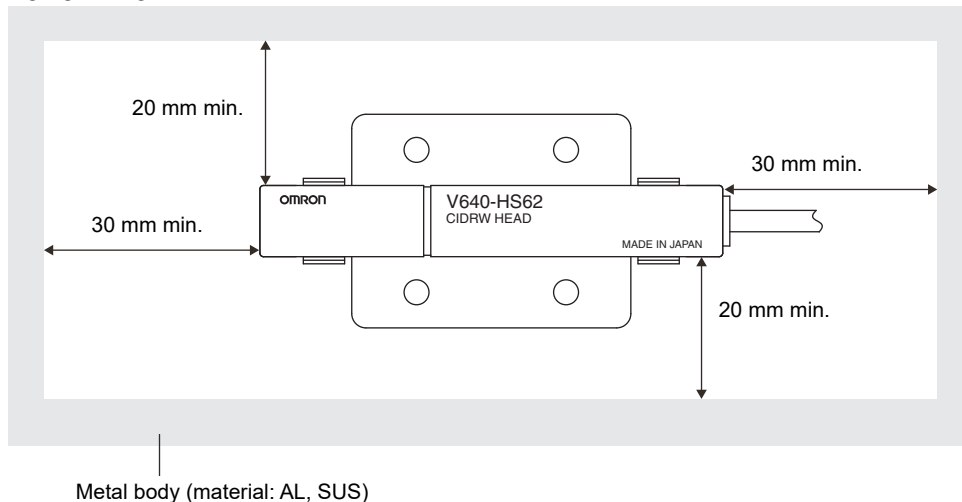


However, ensure the distances indicated below between the CIDRW Head and the metal body. If you do not ensure these distances the communications distance will be substantially shortened.

- V640-HS61

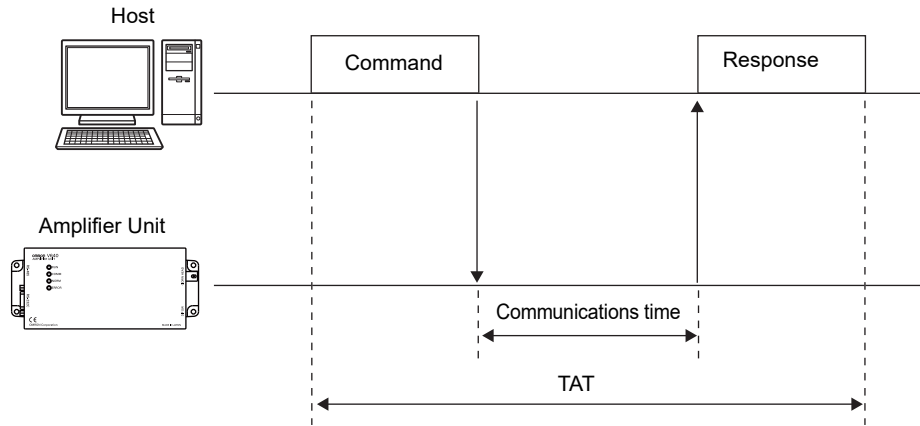


- V640-HS62



## Communications Time

Regardless of whether SECS is used or not, take the time required for processing between the host device and Amplifier Units into account when designing the system.



Time	Description
Communications time	This is the time required for communications between an ID Tag and the CIDRW Head.
TAT	This is the time required for processing at the Amplifier Unit, seen from the host device.

Communications time calculation formula (unit: ms)

$$\text{READ: } 138.7 \times (\text{number of pages}) + 10.0$$

$$\text{WRITE, SAME WRITE: } 379.8 \times (\text{number of pages}) + 145.4$$

$$\text{BYTE WRITE: } 383.0 \times (\text{number of pages}/8) + 249.0$$

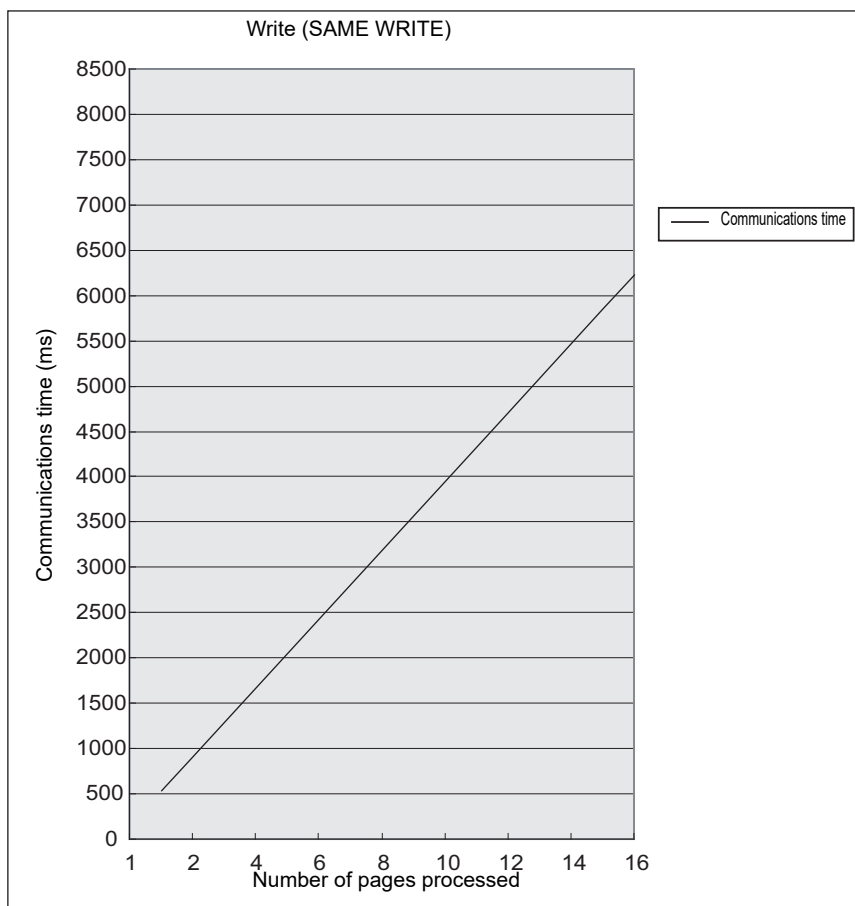
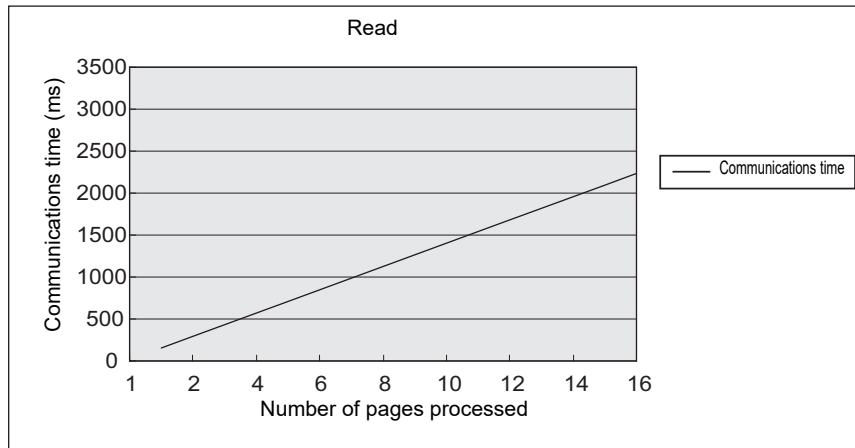
└──────────┘  
Rounding up

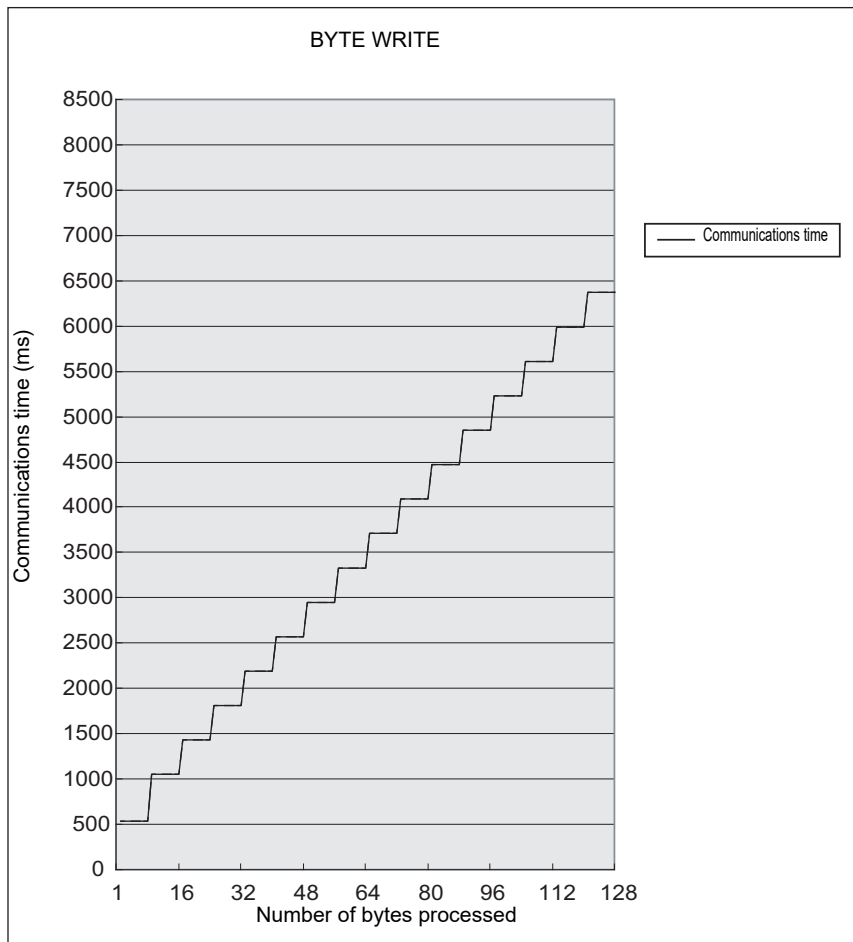
TAT calculation formula (units: ms)

$$\text{TAT} = \text{command and response transmission time} + \text{communications time}$$

\*The command and response transmission time differs depending on the network environment.  
For example: Command and response transmission time is about from 10 to 40msec, when connect between PC and the Amplifier Unit directly by the lan cable(100M).

The graph for communications time for communications between the ID Tag and CIDRW Head, and TAT (when the baud rate is 9600 bps), is shown below.  
The communications time and TAT, however, may increase substantially according to the conditions of use.






Please confirm beforehand, there is a difference in comparison with V640-HAM11-ETN and V640-HAM11-L-ETN in communication time.

## Communications Distance Characteristics vs. Ambient Noise

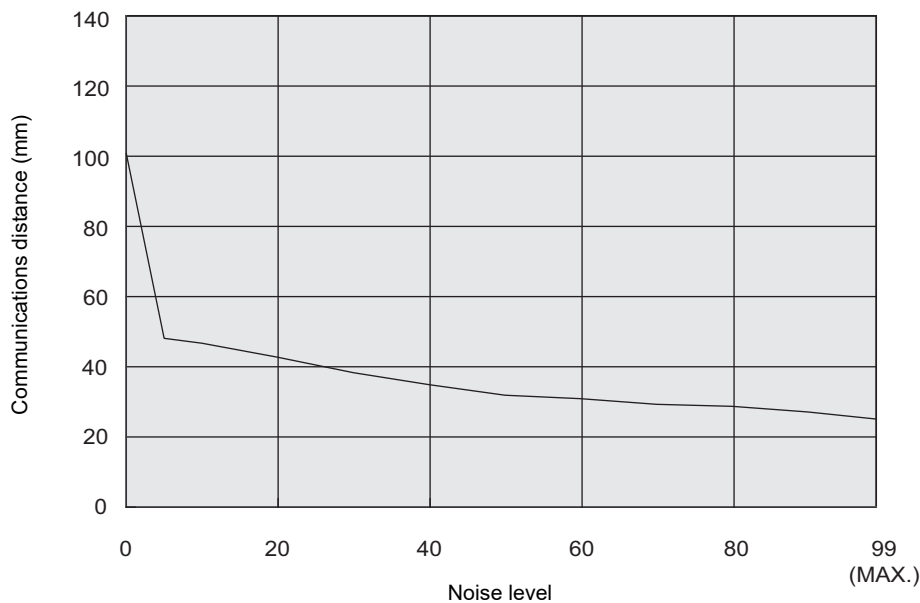
The graph below compares the results of measurement using the noise measurement function with communications distances.

At installation implement measures in regard to metal in the vicinity of the CIDRW Head, power supply noise, and atmospheric noise, to ensure that the noise level does not exceed 10.

NOISE MEASUREMENT command (applies only when SECS is not used)  Refer to page 55.

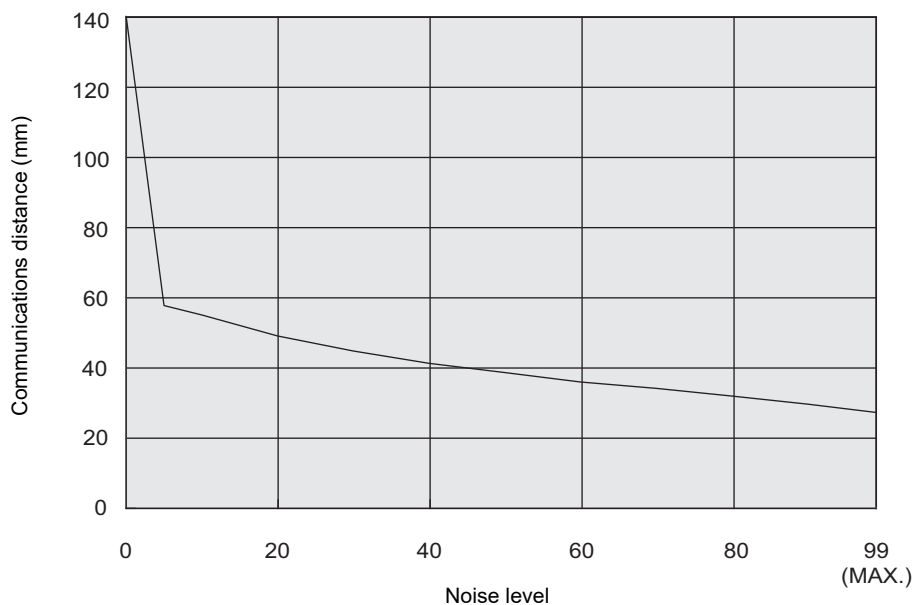
### ■ V640-HAM11-ETN-V2

Relationship between noise level and communications distance (reference values)



### ■ V640-HAM11-L-ETN-V2

Relationship between noise level and communications distance (reference values)






# ID Tag Memory Maps

The memory maps of the RI-TRP-DR2B(-30) and RI-TRP-WR2B(-30) ID Tags are given below.

## ■ RI-TRP-DR2B(-30)

ID Tag Memory Map


Page	8 bytes/1 page								Carrier ID (16 byte)	Example of data segment settings	
										DATASEG	LENGTH
1	00h	01h	02h	03h	04h	05h	06h	07h	Data area (Total of 120 bytes)	Carrier ID	16
2	08h	09h	0Ah	0Bh	0Ch	0Dh	0Eh	0Fh		"S01"	8
3	10h	11h	12h	13h	14h	15h	16h	17h		"S02"	8
4	18h	19h	1Ah	1Bh	1Ch	1Dh	1Eh	1Fh		"S03"	8
5	20h	21h		...	...			27h		"S04"	8
6	28h	29h		...	...			2Fh		"S05"	8
7	30h	31h		...	...			37h		"S06"	8
8										"S07"	8
9								:		"S08"	8
10	:							:		"S09"	8
11	:									"S10"	8
12										"S11"	8
13										"S12"	8
14	68h	69h		...	...			6Fh		"S13"	8
15	70h	71h		...	...			77h		"S14"	8
16	78h	79h		...	...			7Fh		"S15"	8
17	80h	81h		...	...			87h			

-  CHECK!
- The carrier ID memory area starts from page 1 (fixed).
  - 00h to 87h in the table are addresses.
  - The RI-TRP-WR2B(-30) has a memory capacity of 136 bytes.

## ■ RI-TRP-WR2B(-30)

ID Tag Memory Map

Page	8 bytes/1 page								Carrier ID (8 byte)	Example of data segment settings	
										DATASEG	LENGTH
1	00h	01h	02h	03h	04h	05h	06h	07h	Carrier ID	8	

-  CHECK!
- The RI-TRP-WR2B(-30) has a memory capacity of 8 bytes.

## Regular Inspection

In order to maintain optimum performance of the functions of the CIDRW system, daily and periodic inspections are necessary.

Inspection item		Detail	Criteria	Tools required
Supply voltage fluctuation		Check that the supply voltage fluctuation at the power supply terminal block is within the permissible range.	To be within supply voltage rating.	Multimeter
		Check that there are no frequent instantaneous power failures or radical voltage drops.	To be within permissible voltage fluctuation range.	Power supply analyzer
Environment	Ambient temperature	Check that the ambient temperature and humidity are within specified range.	To be within the specified range.	Maximum and minimum thermometer Hygrometer
	Ambient humidity			
	Vibration and shock	Check that no vibration or shock is transmitted from any machines.	To be none.	
	Dust	Check that the system is free of dust accumulation.		
	Corrosive gas	Check that no metal part of the system is discolored or corroded.		
I/O power supply	Voltage fluctuation	Check on the I/O terminal block that the voltage fluctuation and ripple are within the permissible ranges.	To be within the specified range.	Multimeter Oscilloscope
	Ripple			
Mounting condition		Check that each device is securely mounted.	There must be no loose screws.	—
		Check that each connector is securely connected.	Each connector must be locked or securely tightened with screws.	
		Check that no wire is broken or nearly broken.	There must be no wire that is broken or nearly broken.	
		Check if grounding to 100 Ω or less has been done.	To be grounded to 100 Ω or less.	

# ASCII Code Table

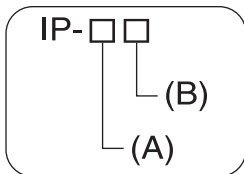
Leftmost bits Rightmost bits	b8 to b5	0000	1001	0010	0011	0100	0101	0110	0111	1000	1101	1010	1011	1100	1101	1110	1111	
	b4 to b1	Row Line	0	1	2	3	4	5	6	7	8	9	10	11	12	13	14	15
0000	0	NUL	TC7(DLE)	(SP)	0	@	P	`	p	Undefined	Undefined	Undefined	Undefined	Undefined	Undefined	Undefined	Undefined	Undefined
0001	1	TC1(SOH)	DC <sub>1</sub>	!	1	A	Q	a	q									
0010	2	TC2(STX)	DC <sub>2</sub>	"	2	B	R	b	r									
0011	3	TC3(ETX)	DC <sub>3</sub>	#	3	C	S	c	s									
0100	4	TC4(EOT)	DC <sub>4</sub>	\$	4	D	T	d	t									
0101	5	TC5(NEQ)	TC <sub>8</sub> (NAK)	%	5	E	U	e	u									
0110	6	TC6(ACK)	TC <sub>9</sub> (SYN)	&	6	F	V	f	v									
0111	7	BEL	TC <sub>10</sub> (ETB)	'	7	G	W	g	w									
1000	8	FE0(BS)	CAN	(	8	H	X	h	x									
1001	9	FE1(HT)	EM	)	9	I	Y	i	y									
1010	10	FE2(LF)	SUB	*	:	J	Z	j	z									
1011	11	FE3(VT)	ESC	+	;	K	[	k	{									
1100	12	FE4(FI)	IS <sub>4</sub> (FS)	,	<	L	\	l										
1101	13	FE5(CR)	IS <sub>3</sub> (GS)	-	=	M	]	m	}									
1110	14	S0	IS <sub>2</sub> (RS)	.	>	N	^	n	ÄP									
1111	15	S1	IS <sub>1</sub> (US)	/	?	O	_	o	DEL									

# Protective Construction

IP-□□ is governed by the test methods described below. Check in advance the seal characteristics under the actual environment and conditions of use.

IP is the abbreviation of International Protection.

## ■ IEC (International Electrotechnical Commission) Standard (IEC60529: 2001)

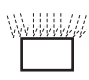

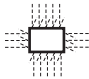
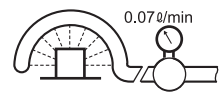
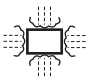
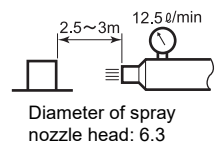
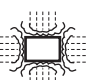
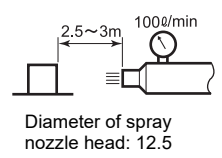

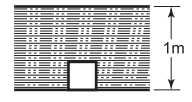



(A) First numeral in code: Class of protection against entry of solid foreign material

Class	Degree of protection	
0		No protection
1		Protected against access by solid objects with a diameter of 50 mm or greater (e.g., human hands).
2		Protected against access by solid objects with a diameter of 12.5 mm or greater (e.g., fingers).
3		Protected against access by wires and solid bodies with a diameter of 2.5 mm or greater.
4		Protected against access by wires and solid bodies with a diameter of 1 mm or greater.
5		Entry of volumes of dust that would cause difficulties in normal operation of devices or compromise safety is prevented.
6		Entry of dust is prevented.

(B) Second numeral of code: Class of protection against the entry of water

Class	Degree of protection	Outline of test methods (tests using water)	
0	No special protection	No protection against the entry of water.	No test
1	Protection against droplets of water 	The product suffers no ill effects from droplets of water falling vertically onto it.	Water droplets are sprayed onto the product from directly above for 10 minutes by water droplet exposure test apparatus. 
2	Protection against droplets of water 	The product suffers no ill effects from droplets of water directed at it at an angle of up to 15° to vertical.	The water droplet exposure test apparatus is set to 15° from vertical and water droplets sprayed onto the product for 10 minutes (total of 25 minutes in each direction). 

Class	Degree of protection		Outline of test methods (tests using water)
3	Protection against spraying water 	The product suffers no ill effects from a water spray directed at it at up to 60° from vertical.	Using the test apparatus shown in the figure to the right, water is sprayed from both directions, onto both sides of the product, at angles up to 60° from vertical for 10 minutes.  0.07 L/min. per hole in the spray nozzle
4	Protection against splashing water 	The product suffers no ill effects from water splashed on it from all directions.	Using the test apparatus shown in the figure to the right, water is splashed onto the product from all directions for 10 minutes.  0.07 l/min
5	Protection against water jets 	The product suffers no ill effects from a water jet aimed directly at it from all directions.	Using the test apparatus shown in the figure to the right, a water jet is directed at the product from all directions for 1 minute per square meter of outer casing, with a minimum total exposure of 3 minutes.  2.5~3m 12.5 l/min Diameter of spray nozzle head: 6.3
6	Protection against powerful jets of water 	Water does not enter the product when a powerful jet of water is directed at it from all directions.	Using the test apparatus shown in the figure to the right, a water jet is directed at the product from all directions for 1 minute per square meter of outer casing, with a minimum total exposure of 3 minutes.  2.5~3m 100 l/min Diameter of spray nozzle head: 12.5
7	Protection against immersion in water 	No entry of water on immersion in water at the stipulated pressure for the stipulated time.	Immerse in water for 30 minutes at a depth of 1 meter (when the height of the apparatus is less than 850 mm).  1m
8 (See note.)	Protection against immersion in water 	The product can be used while continually immersed in water.	Depends on arrangements made between the manufacturer and the user of the product.

Note: OMRON Test Method

Usage condition: 10 m or less under water in natural conditions

1. No water ingress after 1 hour under water at 2 atmospheres of pressure.

2. Sensing distance and insulation resistance specifications must be met after 100 repetitions of half hour in 5°C water and half hour in 85°C water.

About IPX9K

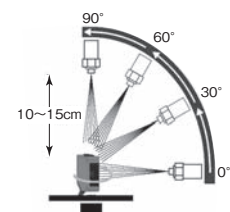
IPX9K is a protection standard regarding high temperature and high-pressure water which is defined by the German standard (DIN 40050 PART9).

Water is sprayed on 80 °C hot water with the water pressure of 80 to 100BAR from a nozzle to the test piece.

Amount of water is 14 to 16 liters/minute.

The distance between the test piece and a nozzle is 10 to 15 cm, and the directions of water-drainage are 0 degrees, 30 degrees, 60 degrees, and 90 degrees horizontally.

They are evaluated with the test piece is rotating on a horizontal plane by 30 seconds in each direction.



## Oil Resistance (OMRON in-house standard)

Protection	
Oil-resistant	No adverse affect from oil drops or oil spray approaching from any direction.
Oil-proof	Protects against penetration of oil drops or oil spray approaching from any direction.

Note. Oil resistance has been tested using a specific oil as defined in the OMRON test method. (JIS C 0920:2003, Appendix 1)



# Index

## Index

**A**

Amplifier Unit	26, 29
Amplifier Unit Indicators	76
Amplifier Unit V640-HAM11-ETN-V2	17
Amplifier Unit V640-HAM11-L-ETN-V2	17
ASCII Code Table	129

**B**

Browser Operation Windows	60
BYTE WRITE	47

**C**

Characteristic Data According to Conditions of Use	97
CID R/W Tab Page	68
CIDRW Head	27
CIDRW Head V640-HS61	21
CIDRW Head V640-HS62	21
CLEAR COMMUNICATIONS HISTORY	55
Command	42
Command Window	67
Command/Response Format	42
Communications Distance Characteristics vs. Ambient Noise	126
Communications Test	39
Communications Test between ID Tags and CIDRW System	40
Communications Time	123
Component Names and Functions	17
Connection Examples	96
Connections and Wiring	29
Connector for connecting a CIDRW Head	29

**D**

Data Reading and Writing	27
--------------------------	----

**E**

Ethernet Connector	30
--------------------	----

**F**

Features	15
Flowchart for Getting Started	22
For Coaxial Installation	121
For Face-to-Face Installation	121
For Parallel Installation	121
From Installation to Trial Operation	77
From Trial Operation to Communications	79

**G**

GET COMMUNICATIONS HISTORY	54
GET LAST COMMAND	54
GET PARAMETER	49

**I**

ID Tag Memory Maps	127
IEC (International Electrotechnical Commission) Standard (IEC60529 1989-11)	130
Influence of Background Metal on ID Tag	28
Influence of Background Metals (Reference Only)	122
Influence of Noise	28
Installation	26

**L**

List of Error Messages	76
------------------------	----

**M**

Maps of Communications Areas (Reference Only)	97
Mounting	28
Mutual Interference Distances (Reference Only)	121

**N**

NAK	49
NOISE MEASUREMENT	55
Noise Measurement Window	73

**O**

Oil Resistance (OMRON in-house standard)	131
Operation Check Flowchart	77

**P**

Password Entry Window	62
Positional Relationship between the CIDRW Head and the ID Tag	27
Power Supply and Grounding Wires	31
Protective Construction	130

**R**

READ	43
Regular Inspection	128
RESET	56

**S**

SAME WRITE	46
SET NETWORK	57
Set the Communications Conditions for Amplifier Units	35
Set the IP address on the computer	33
SET WEB PASSWORD	56
Setting Window	66
Specifications and Dimensions	92
Status Window	64
System Configuration	16

**T**

TEST	48
------	----



Troubleshooting	76
-----------------	----

---

**V**

V640 Command Tab Page	70
-----------------------	----

---

**W**

What is a CIDRW System?	14
-------------------------	----

Window Configuration	61
----------------------	----

WRITE	44
-------	----

# Revision History

---

A manual revision code appears as a suffix to the catalog number on the front cover of the manual.

Man. No. Z361-E1-06

↑  
Revision code

The following table outlines the changes made to the manual during each revision. Page numbers refer to the previous version.

Revision code	Date	Revised content
01	June 2015	Original production
02	November 2015	Changed the Maps of Communications Areas.
03	January 2017	Changed the description of the operating environment of the WEB browser.
04	June 2019	Changed the description of Java version.
05	December 2019	Added the following information. <ul style="list-style-type: none"><li>• Set the IP address on the computer</li><li>• Setting the Communications Conditions for Amplifier Units</li><li>• Cannot Display the Web Browser Operation Window</li></ul>
06	October 2022	<ul style="list-style-type: none"><li>• Added safety precautions regarding security.</li><li>• Added description about Windows application "V640 Utility Tool".</li></ul>



**OMRON Corporation Industrial Automation Company**

**Kyoto, JAPAN**

**Contact : [www.ia.omron.com](http://www.ia.omron.com)**

**Regional Headquarters**

**OMRON EUROPE B.V.**

Wegalaan 67-69, 2132 JD Hoofddorp  
The Netherlands

Tel: (31) 2356-81-300 Fax: (31) 2356-81-388

**OMRON ASIA PACIFIC PTE. LTD.**

438B Alexandra Road, #08-01/02 Alexandra  
Technopark, Singapore 119968

Tel: (65) 6835-3011 Fax: (65) 6835-2711

**OMRON ELECTRONICS LLC**

2895 Greenspoint Parkway, Suite 200  
Hoffman Estates, IL 60169 U.S.A.

Tel: (1) 847-843-7900 Fax: (1) 847-843-7787

**OMRON (CHINA) CO., LTD.**

Room 2211, Bank of China Tower,  
200 Yin Cheng Zhong Road,  
PuDong New Area, Shanghai, 200120, China

Tel: (86) 21-5037-2222 Fax: (86) 21-5037-2200

**Authorized Distributor:**

©OMRON Corporation 2015-2022 All Rights Reserved.  
In the interest of product improvement,  
specifications are subject to change without notice.

**Cat. No. Z361-E1-06** 1022