

TM Robot Stand Manual



This Manual contains information of the Techman Robot product series (hereinafter referred to as the TM Robot). The information contained herein is the property of Omron Corporation (hereinafter referred to as the Corporation) and Techman Robot Inc. No part of this publication may be reproduced or copied in any way, shape or form without prior authorization from the Corporation. No information contained herein shall be considered an offer or commitment. It may be subject to change without notice. This Manual will be reviewed periodically. The Corporation will not be liable for any error or omission.

TM Mark is the registered trademark of Techman Robot Inc., and the Company reserves the ownership and copyright of this Instruction and its copies.

| | |
|---|---|
| Revision History Table..... | 4 |
| 1. Product Function and Specification | 5 |
| 1.1 Function | 5 |
| 1.2 Specification..... | 5 |
| 1.3 Three-view Diagram..... | 6 |
| 1.4 Flange Surface..... | 6 |
| 2. Packing List..... | 7 |
| 3. Installation | 8 |
| 3.1 TM Robot Stand Installation..... | 8 |
| 3.1.1 Fix Adjuster Feet | 8 |
| 3.1.2 Adjust the height of TM Robot Stand | 8 |
| 3.2 Control Box Installation | 9 |

Revision History Table

| Revision | Date | Revised Content |
|----------|--------------|------------------|
| 01 | October 2018 | Original release |

1. Product Function and Specification

1.1 Function

TM Robot Stand is a convenient tool for users to adjust the height of platform. Users can move TM Robot Stand with TM Robot to different work cells to achieve easy and flexible deployment.

1.2 Specification

| | |
|---|---|
| Depth | 630mm |
| Width | 750mm |
| Height | 700~1000mm |
| Weight | 133kg |
| Applicable Robot | TM5-700、TM5-900 |
| Max. Recommended Profile(TM5-700/TM5-900) | Up to 80% of max. speed with half max. payload and default acceleration rate (500ms for Time to top speed). |

*Max. recommended profile is highly relevant to pose/motion/acceleration, and the status of ground surface.

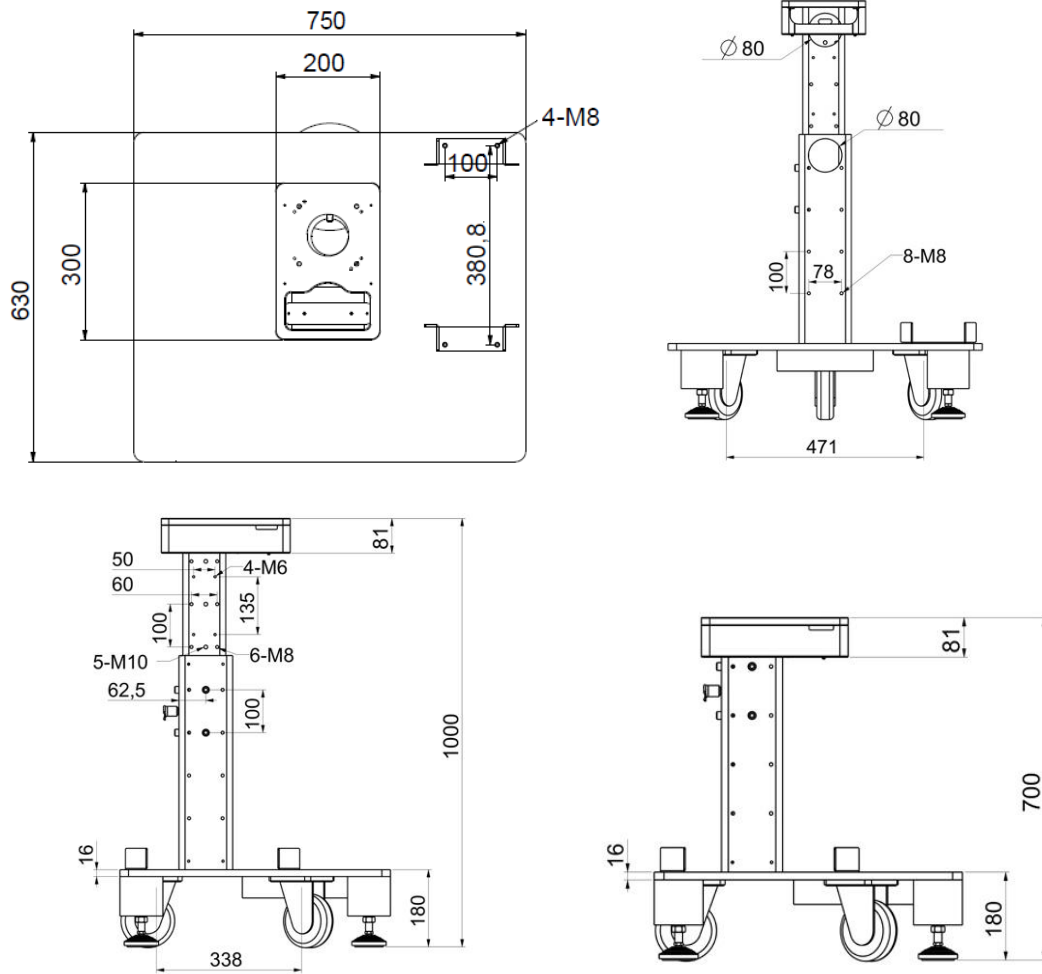


DANGER:

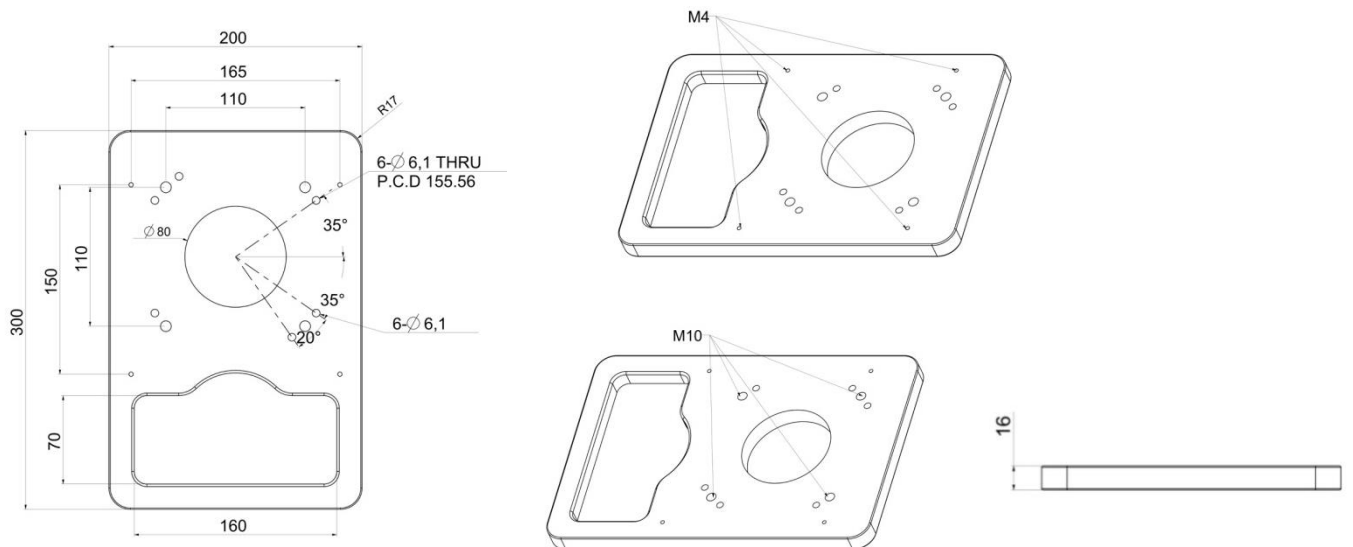
Before installing and using this product, the user must first perform a risk assessments based on the conditions of use. The stability of the center of gravity is highly correlated with robot kinematics (including velocity, acceleration and poses) and environmental factors (including characteristics of the floor surface and structure).

The Corporation clearly specifies the following risks: the product can tip over causing serious injury or death, or damage to itself and other equipment, due to improper risk assessment or test and failure to read and comply with the manuals. Max. recommended profile and related data shall not be considered as a guarantee by the Corporation.

1.3 Three-view Diagram



1.4 Flange Surface



2. Packing List

TM Robot Stand has the following items in package.

TM Robot Stand x1



Lock Pin x1



Lock Screw (M10x20L) x4



Bracket x2



Bracket Screw (M8x15L) x4

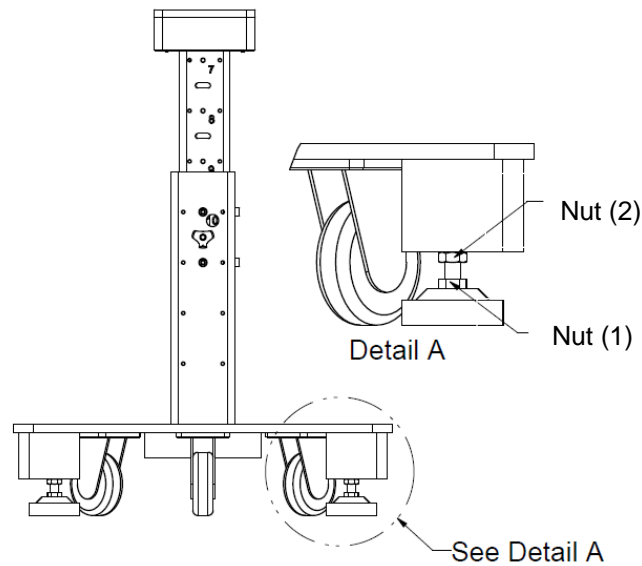


3. Installation

3.1 TM Robot Stand Installation

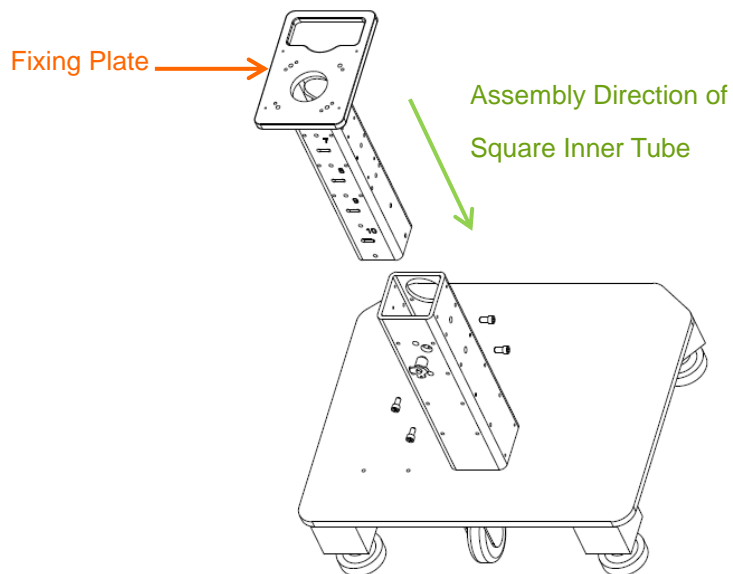
3.1.1 Fix Adjuster Feet

- First, loosen Nut (1) and the adjuster feet will be released.
- Secondly, adjust the required height and verify that the adjuster feet would touch the ground.
- Now, tighten Nut (2) on the adjuster feet to avoid loosening.
- Based on considerations of safety, the user should always put down the adjuster feet to avoid slippery if the robot needs to be assembled or disassembled on the TM Robot Stand.

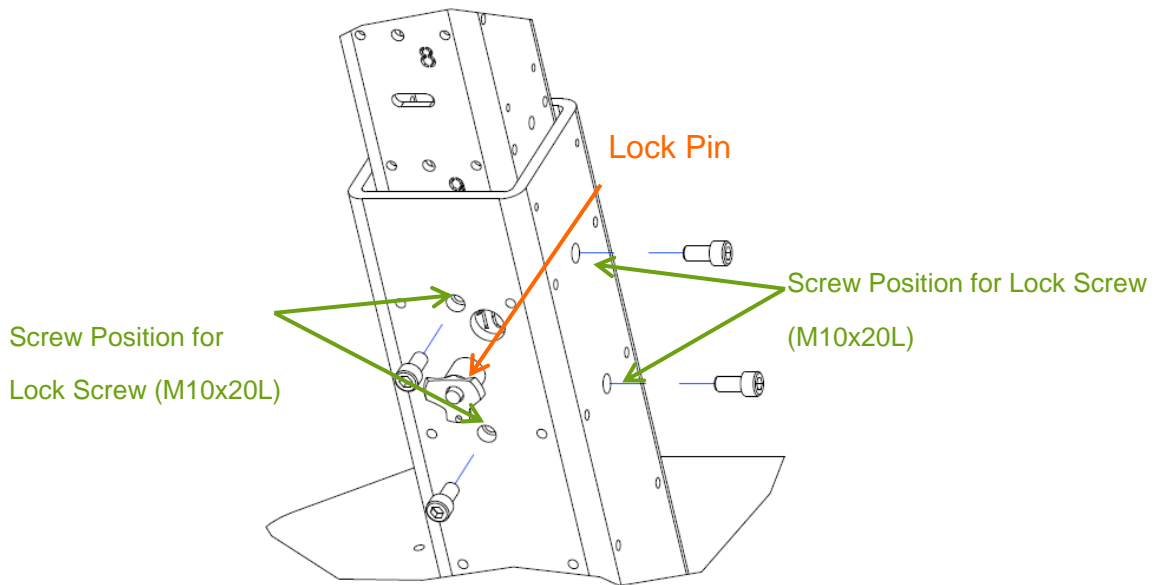


3.1.2 Adjust the height of TM Robot Stand

- Ensure that the TM Robot Stand does not move. Then insert the square inner tube in the outer tube.



- Adjust the square inner tube to required position and insert into the lock pin.
- Height indicator window shows the current height from the fixing plate to the ground. The numbers in indicator window are 7, 8, 9, 10 and four sections in total for different kinds of application requirements. For example, the number 7 means height 700mm from the fixing plate to the ground.
- Since the fixing plate height is fixed, tighten the lock screws (M10x20L) on 2 surfaces with nyloc on the outer tube. The number of lock screws is 2 on each side.

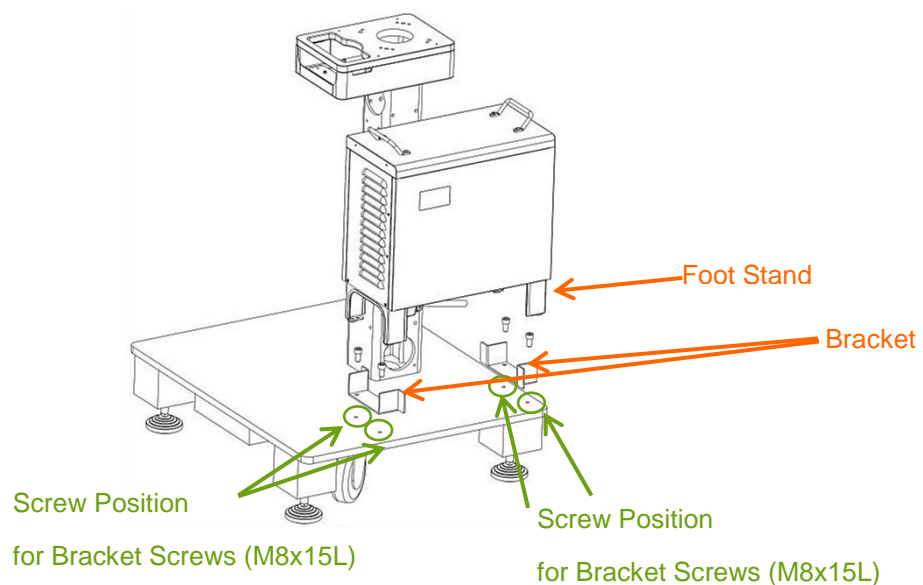


DANGER:

When adjusting the height of TM Robot Stand, there must be two operators to avoid danger. One operator supports to hold the inner tube, the other adjusts the height of TM Robot Stand. The Corporation will not be liable for any injuries caused during operation.

3.2 Control Box Installation

- Use bracket screws (M8x15L) to tighten the brackets on the base plate. The number of screws is 2 on each side and stuck the foot stands on the bracket outside corners



OMRON Corporation Industrial Automation Company
Kyoto, JAPAN

Contact: www.ia.omron.com

Regional Headquarters

OMRON EUROPE B.V.
Wegalaan 67-69, 2132 JD Hoofddorp
The Netherlands
Tel: (31)2356-81-300/Fax: (31)2356-81-388

OMRON ASIA PACIFIC PTE. LTD.
No. 438A Alexandra Road # 05-05/08 (Lobby 2),
Alexandra Technopark,
Singapore 119967
Tel: (65) 6835-3011/Fax: (65) 6835-2711

OMRON ELECTRONICS LLC
2895 Greenspoint Parkway, Suite 200 Hoffman Estates,
IL 60169 U.S.A.
Tel: (1) 847-843-7900/Fax: (1) 847-843-7787

OMRON ADEPT TECHNOLOGIES, INC.
4550 Norris Canyon Road, Suite 150, San Ramon, CA 94583 U.S.A.
Tel: (1) 925-245-3400/Fax: (1) 925-960-0590

OMRON (CHINA) CO., LTD.
Room 2211, Bank of China Tower, 200 Yin Cheng Zhong Road,
PuDong New Area, Shanghai, 200120, China
Tel: (86) 21-5037-2222/Fax: (86) 21-5037-2200

Authorized Distributor:

© OMRON Corporation 2018 All Rights Reserved.
In the interest of product improvement,
specifications are subject to change without notice.

Cat. No I629-E-01

1018 (1018)

19888-920 A