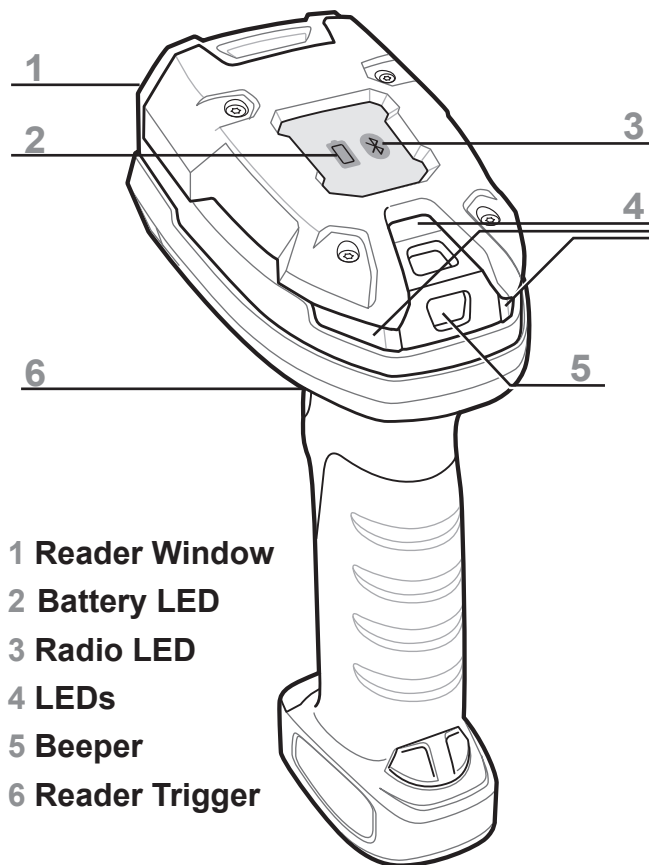
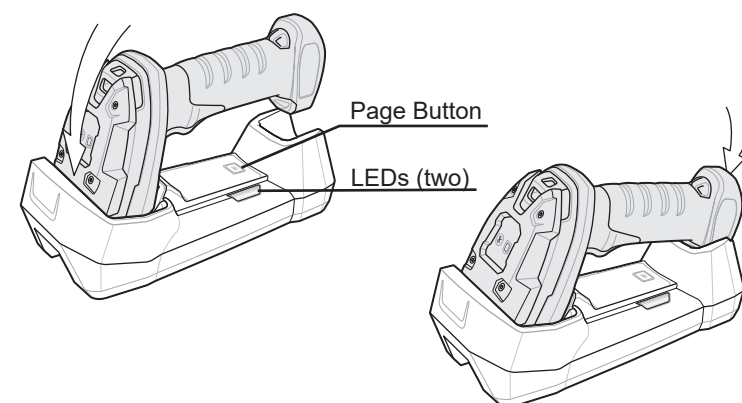


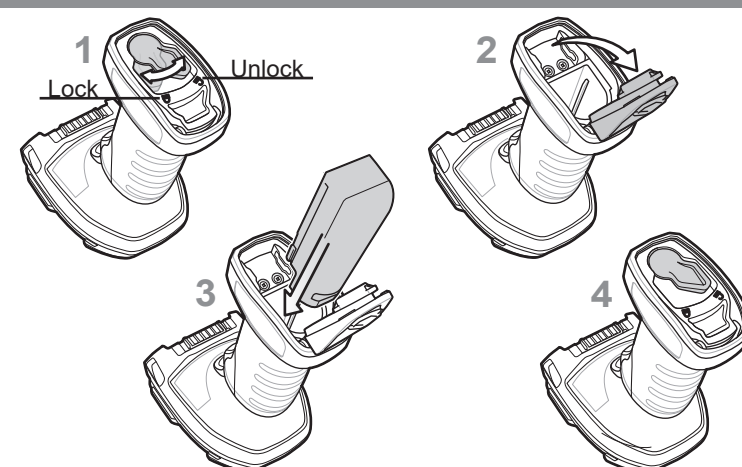
Quick Start Guide



- 1 Reader Window
- 2 Battery LED
- 3 Radio LED
- 4 LEDs
- 5 Beeper
- 6 Reader Trigger

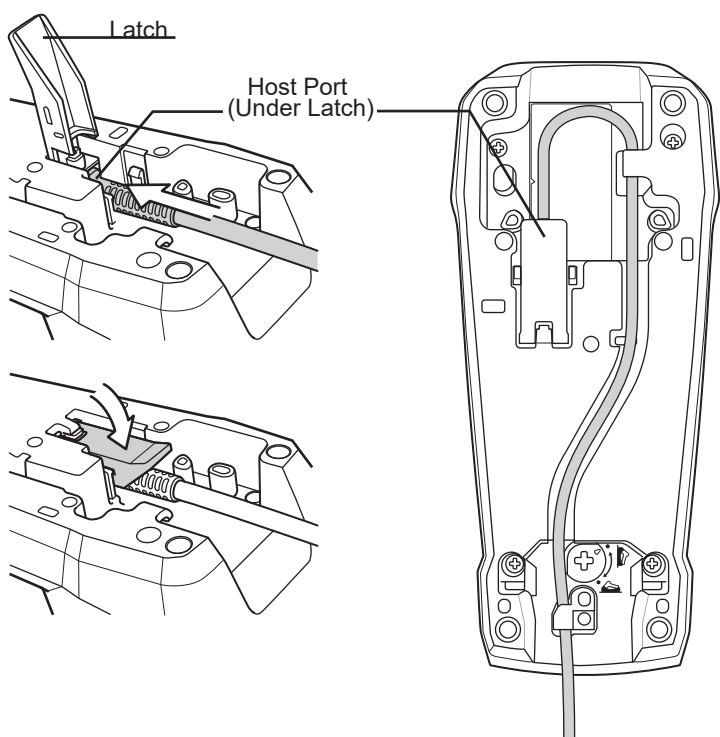


Battery Insertion and Removal



Important: A PowerPrecision+ 3100 mAh Li-Ion rechargeable battery is included with the wireless version of the V450-H.

Cradle Cable Connection



Return to Factory Defaults / Add an Enter Key

**Return to Factory Defaults**  
Decode the symbol below to return reader parameters to factory defaults.



**Add an Enter Key (Carriage Return / Line Feed)**  
Decode the symbol below to add an Enter key after decoded data.



Add a Tab Key

**Add a Tab Key**  
Decode the symbol below to add a Tab key after decoded data.



USB Caps Lock Override Options

USB - OVERRIDE CAPS LOCK KEY (ENABLE)



\*USB - DO NOT OVERRIDE CAPS LOCK KEY (DISABLE)

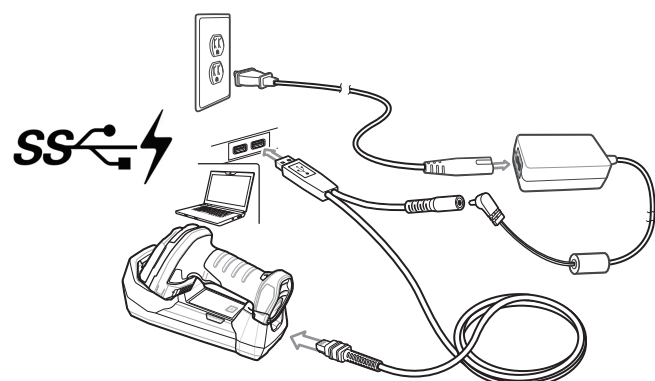


Step 1 – Set Up Host Interface

USB

**Note:** Cables may vary depending on configuration.

When connecting the V450-H and cradle to a PC, look for a USB port with a lightning bolt icon similar to the one below. This icon indicates that the port is higher-powered and is intended for charging USB devices.



Decode one of the symbols below.

The interface cable automatically detects the host interface type and uses the default setting. If the default (\*) does not meet your requirements, decode the other host symbol below.

\*USB HID KEYBOARD EMULATION



SNAPI WITH IMAGING INTERFACE



USB CDC HOST (VIRTUAL COM)



Step 2 – Install WebLink<sub>PC</sub> and Connect

Install

The WebLink<sub>PC</sub> installer is found on Omron's Download Center at [www.automation.omron.com/weblinkpc](http://www.automation.omron.com/weblinkpc)

Minimum PC Requirements

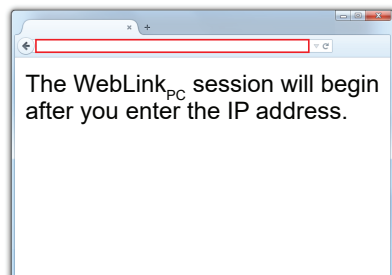
- Intel® Core™2 Duo Processor (Core™i3 recommended)
- Microsoft Windows 7 32-bit (Windows 7 64-bit or Windows 10 recommended)
- Internet Explorer 11 or higher, Edge, Firefox, or Opera (Chrome recommended)
- 1 GB/128 MB Video RAM (2 GB RAM/128 MB Video RAM recommended)
- 100 MB hard drive space (500 MB recommended)
- 16-bit color display (32-bit recommended)
- 3.0 Windows Experience Index (4.0 recommended)

Connect

To start WebLink<sub>PC</sub>, double-click the icon placed on your desktop during installation.

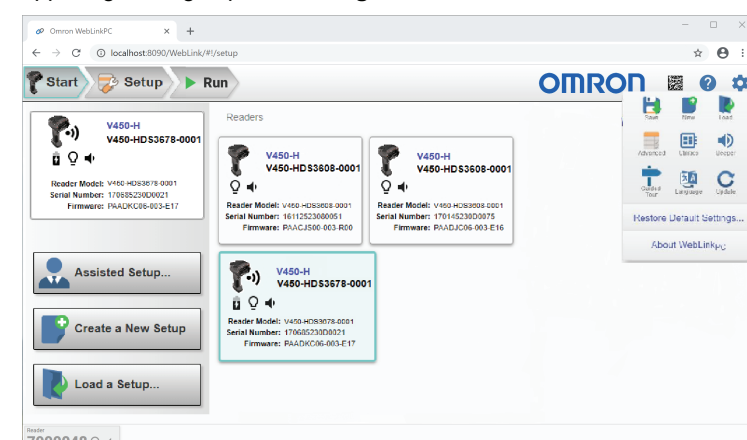


You can also start WebLink<sub>PC</sub> by opening a browser of your choice and typing <http://localhost:8090> or <http://127.0.0.1:8090> in the address bar.



Step 3 – Explore the Start View

The **Start** view shows all the readers available to the system. The **Reader Model**, **Serial Number**, and **Firmware Version** of each reader are displayed. This view also allows you to choose **Assisted Setup**, **Create a New Setup**, or **Load a Setup**. The **Gear icon** in the upper right brings up the **Settings Menu**.



Step 4 – Create or Load a Setup

Assisted Setup

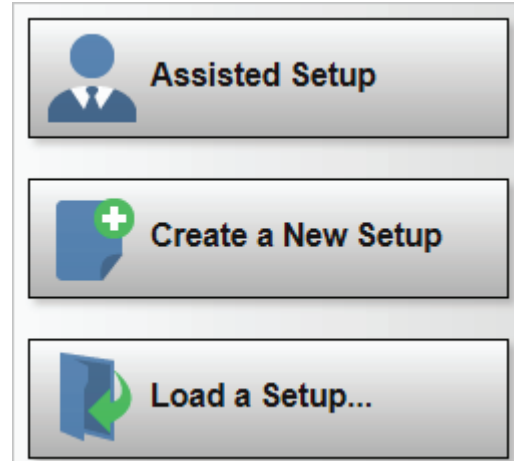
When you click the **Assisted Setup** button in the **Start** view, a dialog appears asking a series of application-related questions. Based on your answers, WebLink<sub>PC</sub> generates your initial setup automatically. Once the setup is created, you can fine-tune its parameters in the **Setup** view.

Create a New Setup

The **Start** view also allows you to create a **New Setup** without using **Assisted Setup**. When you click the **Create a New Setup** button, WebLink<sub>PC</sub> searches for any differences from default in the reader parameters. If no differences from default are found, the **Setup** view appears. If differences from default are found, an alert appears asking if you want to restore default settings.

Load a Setup

Select **Load a Setup** to load an existing .ris WebLink<sub>PC</sub> setup file.

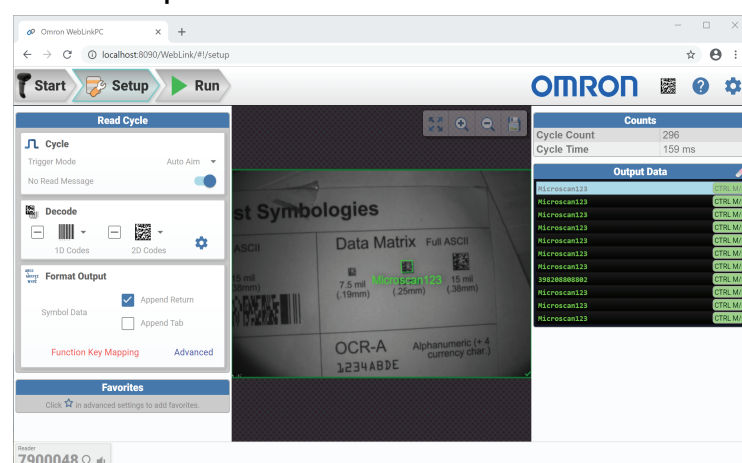


Step 5 – Explore the Setup View

The **Setup** view allows you to configure the reader, view the current captured image, and view decoded symbol data.

The following read cycle steps are shown at the left side of the screen:

- **Cycle**
- **Performance**
- **Decode**
- **Format Output**

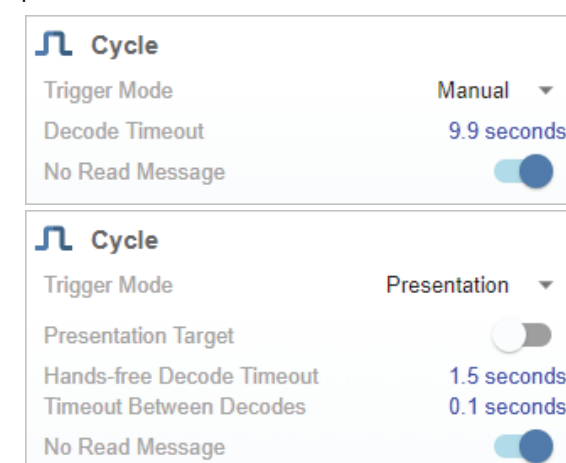


Step 6 – Configure the Reader

Cycle Step

The **Cycle** step allows you to choose between **Manual** and **Presentation** trigger modes. In **Manual** mode, a decode is attempted when you pull the trigger. In **Presentation** mode, the read cycle begins when a symbol is detected moving into the reader's field of view.

**Note:** The reader is automatically set to **Presentation** mode when placed in the V450-H Stand.



Step 6 – Configure the Reader (Continued)

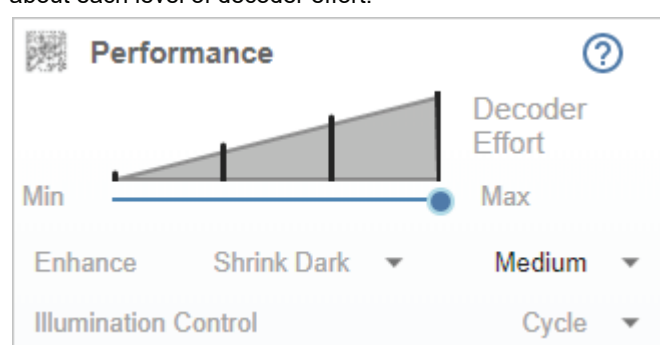
Performance Step (DPM Optimization)

The **Performance** step allows you to optimize the reader for **Direct Part Mark (DPM)** decoding. A DPM is a permanent mark created by laser etch, chemical etch, or other method, directly on a substrate. DPMs are often harder to read than other symbols, and may require a few attempts before finding optimal settings. The **Decoder Effort** slider has four settings: **Level 1**, corresponding to **Min** on the slider; **Level 2**; **Level 3**; and **Level 4**, corresponding to **Max** on the slider. As **Decoder Effort** is moved toward **Max**, the decoder spends an increasing amount of time trying to decode the symbol.

In **Level 4**, you can also enable the **Enhance** option, which improves readability by allowing additional processing for poorly-formed marks.

The **Illumination** options are **Direct**, **Indirect**, and **Cycle**.

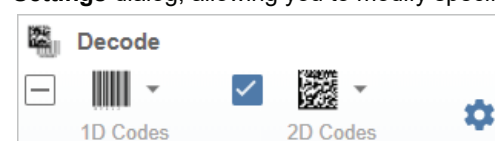
Clicking the **Question Mark icon** brings up a dialog with more detail about each level of decoder effort.



Step 6 – Configure the Reader (Continued)

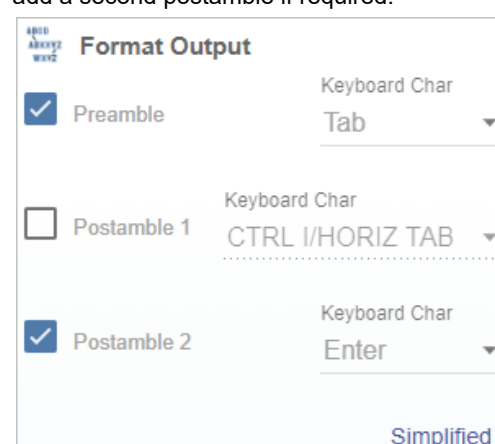
Decode Step

The **Decode** step allows you to select which symbologies to enable and disable. Clicking the **1D** and **2D** checkboxes will enable or disable all the symbologies in that group. The **Gear icon** brings up a **Symbology Settings** dialog, allowing you to modify specific parameters.



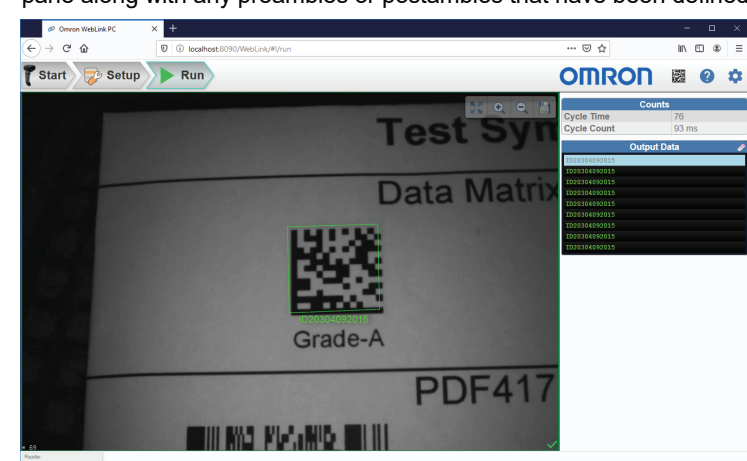
Format Output Step

**Format Output** allows you to configure preambles and postambles to add to symbol data output. The **Simplified** version of this control allows you to **Append Return** or **Append Tab** after each string of data output. The **Advanced** version allows you to choose from a wide variety of keyboard characters that can be output as a preamble or postamble. You can also add a second postamble if required.



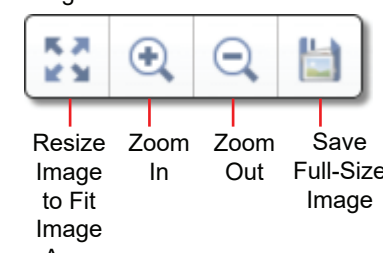
Step 7 – Run the Application

The **Run** view allows you to keep track of your application during runtime. The current captured image is shown along with a row of image control tools. A history of decoded symbol data is shown in the right pane along with any preambles or postambles that have been defined.



The **Output Data** display in the right pane shows a list of previous read cycle results. Each result is selectable and erasable.

Image control tools are available at the upper right of the image view.

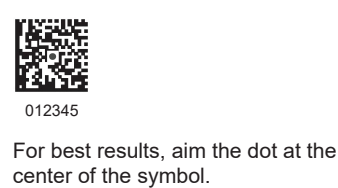




# V450-H Wireless Handheld DPM Reader

WORK AREA

## V450-H Aiming



For best results, aim the dot at the center of the symbol.

## Sample Symbols



Data Matrix  
OmronMicroscan1234567890



QR Code  
OmronMicroscan1234567890



Code 39  
OMRON1234



Interleaved 2 of 5  
1234567890

## RECOMMENDED USAGE GUIDE - OPTIMUM BODY POSTURE

### Avoid Extreme Wrist Angles



### Avoid Bending



### Avoid Reaching



### Health and Safety Recommendation

- Ergonomic Recommendations
Caution: In order to avoid or minimize the potential risk of ergonomic injury follow the recommendations below. Consult with your local Health & Safety Manager to ensure that you are adhering to your company's safety programs to prevent employee injury.
• Reduce or eliminate repetitive motion
• Maintain a natural posture
• Reduce or eliminate excessive force
• Reduce or eliminate vibration
• Perform tasks at correct heights
• Keep objects that are used frequently within easy reach
• Reduce or eliminate direct pressure
• Provide adjustable workstations
• Provide adequate clearance
• Provide a suitable working environment
• Improve work procedures.

## BEEPER INDICATIONS

Table with 2 columns: Indication and Beeper Sequence. Includes rows for Power up, Barcode decoded, Transmission error detected, Successful parameter setting, Correct programming sequence performed, and Incorrect programming sequence or Cancel barcode decoded.

Note: In addition to the System/Decode LEDs, the V450-HDS3678 cordless digital Reader has a Radio and Battery LED gauge. Refer to the V450-HDS3678 Product Reference Guide for detailed information.

## LED INDICATIONS

Table with 2 columns: Handheld Decoding and Hands-Free (Presentation) Decoding. Includes rows for Reader is on and ready to decode, Barcode is successfully decoded, and Transmission error.

## TROUBLESHOOTING

Table with 2 columns: Reader not Working and Reader Decoding Barcode, but Data not Transmitting to Host. Includes rows for No power to reader, Reader is disabled, Host interface not configured properly, Interface cable is loose, Invalid rule, and Reader not paired to cradle.

Table with 2 columns: Reader not Decoding Barcode and Decoded Data Incorrectly Displayed on Host. Includes rows for Reader not programmed for barcode type, Barcode unreadable, Distance between reader and barcode incorrect, Host interface not configured properly, and Region improperly configured.

## REGULATORY INFORMATION

Warranty
For current warranty information, see:
ia.omron.com/product/cautions/common/agreements-before-purchase/index.html

Technical Support
For technical support, see:
ia.omron.com/support/

### Waste Electrical and Electronic Equipment (WEEE)

English: For EU Customers: All products at the end of their life must be returned to Omron Microscan for recycling.
Danish: Til kunder i EU: Alle produkter skal returneres til Omron Microscan til recykling.

Regulatory Information
This device is approved under Omron Microscan Systems.
This guide applies to Model Number DS3678. All Omron devices are designed to be compliant with rules and regulations in locations they are sold, and will be labeled as required.

Radio Frequency Interference Requirements - FCC
This device complies with FCC Standards.
Note: This equipment has been tested and found to comply with the limits for a Class B digital device, pursuant to Part 15 of the FCC rules.

Bluetooth® Wireless Technology
This is an approved Bluetooth® product. For more information or to view the End Product Listing, visit https://www.bluetooth.org/go/listings.cfm.

Wireless Device Country Approvals
Regulatory markings, subject to certification, are applied to the device signifying the radio(s) is/are approved for use in the following countries: United States, Canada, Japan, China, S. Korea, Australia, and Europe.

Radio Frequency Interference Requirements - Canada
CAN ICES-3 (B)/NMB-2(B)
Radio Transmitters
This device complies with industry Canada's license-exempt RSSs. Operation is subject to the following two conditions:

Caution: Operation of the device without regulatory approval is illegal.

Warnings for Use of Wireless Devices
Caution: Please observe all warning notices with regard to the usage of wireless devices.

Safety in Hospitals
Wireless devices transmit radio frequency energy and may affect medical electrical equipment.
Persons with Pacemakers: Pacemaker manufacturers recommend that a minimum of 15cm (6 inches) be maintained between a handheld wireless device and a pacemaker to avoid potential interference with the pacemaker.

RF Exposure Guidelines
Reducing RF Exposure - Use Properly
Only operate the device in accordance with the instructions supplied.

Marking and European Economic Area (EEA)
Bluetooth® Wireless Technology for use through the EEA has the following restrictions:
• Maximum rated transmit power of 100mW EIRP in the frequency range 2.400-2.4835 GHz.

Statement of Compliance
Omron Microscan hereby declares that this radio equipment is in compliance with directive 2011/65/EU and 1999/5/EC or 2014/53/EU (2014/53/EU superseded 1999/5/EC from 13th June 2017). The full text of the EU Declaration of Conformity is available at the following internet address: http://www.ia.omron.com

Other Countries
Japan (VCCI) - Voluntary Control Council for Interference Class B ITE
この装置は、情報処理装置等電波障害自主規制協議会（VCCI）の基準に基づくクラスB情報技術装置です。この装置は、家庭環境で使用することを目的としていますが、この装置がラジオやテレビジョン受信機に近接して使用されること、受信障害を引き起こすことがあります。取扱説明書に従って正しい取り扱いをしてください。

Table with 2 columns: 기종별 and 사용자내문. Row 1: B급 기기 (가정용 방송통신기기) vs 이 기기는 가정용(B급)으로 전자파적합등록을 한 기기로서 주로 가정에서 사용하는 것을 목적으로 하며, 모든 지역에서 사용할 수 있습니다.

Brazil (UNWANTED EMISSIONS - ALL PRODUCTS)
Regulatory declarations for DS3678 - BRAZIL.
For more information consult the website www.anatel.gov.br
NOTA: A marca de certificação se aplica ao Equip. de Radiação Restrita, modelo DS3678. Este equipamento opera em caráter secundário, isto é, não tem direito a proteção contra interferência prejudicial, mesmo de estações do mesmo tipo, e não pode causar interferência a sistemas operando em caráter primário. Para maiores consultas sobre ANATEL consulte o site: www.anatel.gov.br.

Chile
Este equipo cumple con la Resolución N 403 de 2008, de la Subsecretaría de telecomunicaciones, relativa a radiación electromagnética.

China
通过访问以下网址可下载当地语言支持的产品说明书
http://www.ia.omron.com

Ukraine
Дане обладнання відповідає вимогам технічного регламенту №1057, № 2008 на обмеження щодо використання деяких небезпечних речовин в електричних та електронних пристроях.

Taiwan
臺灣
低功率電波輻射性電機管理辦法
第十二條
經型式認證合格之低功率射頻電機，非經許可，公司、商號或使用者均不得擅自變更頻率、加大功率或變更原設計之特性及功能。

第十四條
低功率射頻電機之使用不得影響飛航安全及干擾合法通信；經發現有干擾現象時，應立即停用，並改善至無干擾時方得繼續使用。
前項合法通信，指依電信規定作業之無線電通信。
低功率射頻電機須忍受合法通信或工業、科學及醫療用電波輻射性電機設備之干擾。

S. Korea
당해 무선설비의 운용 중 전파혼신 가능성이 있음
당해 무선설비는 전파혼신 가능성이 있으므로 인명안전과 관련된 서비스는 할 수 없습니다.

Thailand
เครื่องโทรคมนาคมและอุปกรณ์นี้ มีความสอดคล้องตามข้อกำหนดของ กทท.

Eurasian Customs Union
Евразийский Таможенный Союз
Данный продукт соответствует требованиям знака ЕАС.

Italiano: per i clienti dell'UE: tutti i prodotti che sono giunti al termine del rispettivo ciclo di vita devono essere restituiti a Omron Microscan al fine di consentirne il riciclaggio.
Magyar: Az EU-ban vásárlóknak: Minden törvényt meg kell elegendő távolságot tartani a készüléktől.
Dutch: Voor klanten in de EU: alle producten dienen aan het einde van hun levensduur naar Omron Microscan te worden teruggezonden voor recycling.

TURKISH WEEE Statement of Compliance
EEE Yönetmeliğine Uygundur

China RoHS
This table was created to comply with China RoHS requirements.

Table with 2 columns: 有害物质 (Hazardous Substances) and 有害物质 (Hazardous Substances). Rows include Metal Parts, Circuit Modules, Cable and Cable Assemblies, Plastic and Polymer Parts, Optical and Optical Components, and Batteries.

本表格依据SJ/T 11364的认定规则。
X: 表示有害物质在部件所有材料中的含量均在SJ/T 11364-2014的认定限量以内。
O: 表示有害物质在部件所有材料中的含量超过SJ/T 11364-2014的认定限量。
This table was created to comply with China RoHS requirements.

Handheld Devices
To comply with EU RF exposure requirements, this device must be operated in the hand with a minimum separation distance of 0 cm or more from a person's body.

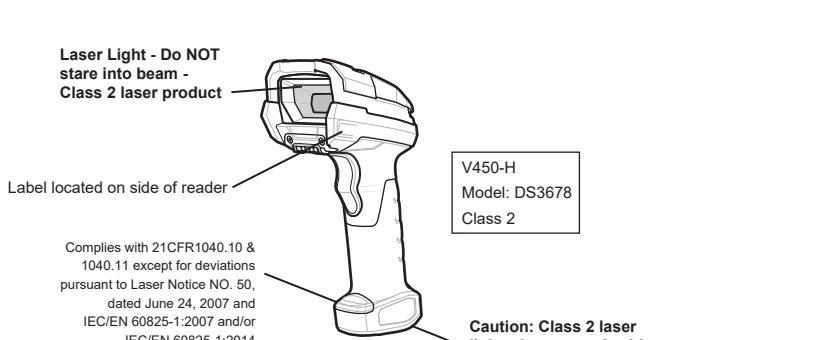
Co-located Statement
To comply with FCC RF exposure compliance requirement, the antenna used for this transmitter must not be co-located or operated in conjunction with any other transmitter/antenna except those already approved in this filing.

Lasers
Class 2 laser scanners use a low power, visible light diode. As with any very bright light source such as the sun, the user should avoid staring directly into the light beam.

Caution: Use of controls, adjustments, or the performance of procedures other than those specified herein may result in hazardous laser light exposure.

LED Compliance Statement:
Classified as 'EXEMPT RISK GROUP' according to IEC 62471:2006 and EN 62471:2008.
Pulse duration: Continuous

Laser Light - Do NOT stare into beam
Class 2 laser product
Caution: Class 2 laser light when on. Avoid direct eye exposure.



Omron Microscan Systems, Inc.
ia.omron.com
All rights reserved. The information contained herein is proprietary and is provided solely for the purpose of allowing customers to operate and/or service Omron Microscan-manufactured equipment and is not to be released, reproduced, or used for any other purpose without written permission of Omron Microscan.

© 2020 Omron Microscan Systems, Inc.
P/N 83-911023-02 Rev A

# V450-H Wireless Handheld DPM Reader