

OMRON**sti** SAFETY, TECHNOLOGY & INNOVATIONModel **F39-LP**

Lamp for F3SG Series

EN Instruction Sheet

Thank you for purchasing this product. The product is F39-LP Lamp dedicated for F3SG Series Safety Light Curtain. Read this document and F3SG-R Series User's Manual thoroughly to understand and make good use of the descriptions before installing and operating the product. Keep this document at the place where the operator can refer to whenever necessary.

© OMRON Corporation 2014 All Rights Reserved.
Original Instruction

8100375-5A

Safety Precautions**● Meaning of Signal Word****WARNING**

Indicates a potentially hazardous situation which, if not avoided, will result in minor or moderate injury, or may result in serious injury or death. Additionally there may be significant property damage.

WARNING

Do not try to disassemble, repair, or modify the product. Doing so may cause the functions to stop working properly.



Do not use the product in environments where flammable or explosive gases are present. Doing so may result in explosion.



Do not use the product in environments where strong magnetic field may be produced. Doing so may cause the functions to stop working properly.

**Precautions for Safe Use**

Do not install the product in the following types of environments:

- Areas where sudden temperature change occurs
- Areas with high humidity where condensation is likely to occur
- Areas where oil mist or corrosive gases are present
- Areas exposed to vibration or shock levels higher than in the specification provisions
- Areas where the pollution degree is harsher than 3, such as outdoor environment
- Areas where the product may get wet with oil that can solve adhesive

Securely mount the product according to the torque recommended in this document.

Always turn OFF the power when you connect the product to the F3SG-RA Safety Light Curtain.

Do not drop the product.

Dispose of the product in accordance with the relevant rules and regulations of the country or area where the product is used.

Read and understand this document thoroughly before setting the DIP Switch.

The rated life of the product is 6 years.

Precautions for Correct Use**■ Storage conditions and installation environment**

- Do not install, use, or store the product for a long time at a temperature or humidity out of the specified range.

- This is a Class A product (for industrial environments). In a residential environment, it may cause radio interference, in which case the user may be required to take appropriate measures.

■ Wiring and installation

Always use the product together with the F3SG-RA Safety Light Curtain.

■ Periodic inspections and maintenance

Perform inspections according to the F3SG-R Series User's Manual.

■ Settings

- Do not operate the DIP Switch with tools that may damage the product.

- Make sure to test the operation of the product after setting with the DIP Switch to verify that the product operates as intended.

■ Cleaning

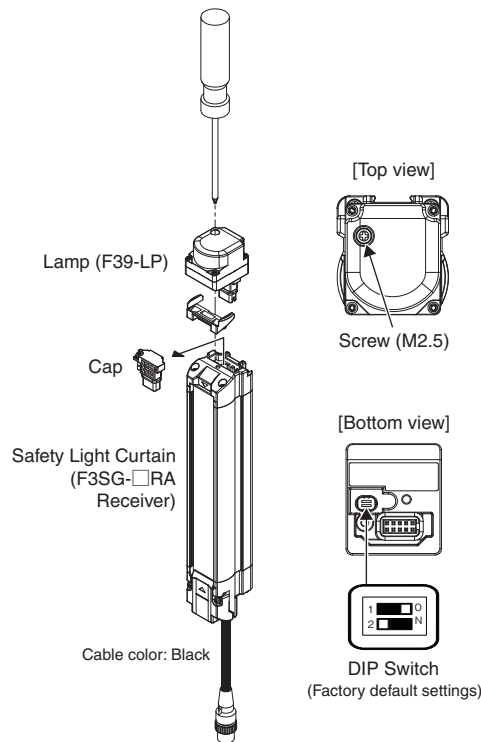
Do not use thinner, benzene, or acetone for cleaning. They may affect the product's resin parts.

Ratings/Specifications

Item	F39-LP
Applicable Sensor	F3SG-□RA Series Safety Light Curtain (Receiver)
LED Light Color	Red/Green/Orange
Power Supply Voltage	24 VDC±20%, ripple p-p 10% max. (shares sensor's power supply)
Current Consumption	25 mA max. (shares sensor's power supply.)
Ambient Temperature	Operating: -10 to 55°C, Storage: -25 to 70°C (non-icing and non-condensing)
Ambient Humidity	Operating: 35% to 85%, Storage: 35% to 95% (non-condensing)
Vibration Resistance	10 to 55 Hz, Multiple amplitude of 0.7 mm, 20 sweeps for all 3 axes
Shock Resistance	100 m/s ² , 1000 shocks for all 3 axes
Degree of Protection	IP65, IP67 (When attached to F3SG)
Type of Connection	Connectable to F3SG-RA's terminal connector
Material	Lighting element: PC, Other body parts: PBT
Weight	45 g (when packaged)

Mounting Procedure

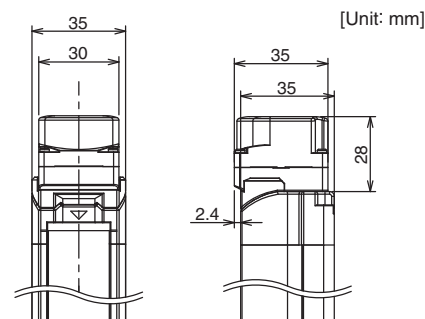
1. Remove the Cap (terminal connector) from the socket of the receiver body of the F3SG-RA Safety Light Curtain. Then insert the connector of the product to the socket.
2. Securely tighten the screw (M2.5, recommended torque: 0.35N·m).

**How To Use**

DIP Switch 1 is set to the ON position and DIP Switch 2 to the OFF position at factory default. When you use the product for the F3SG-RA Safety Light Curtain, make sure the DIP Switch is at these positions.

[Illumination pattern]

Green light blinks to indicate Muting/Override Information.

Dimensions**Reference Manual**

Document Title	Cat. No.
Safety Light Curtain F3SG-R Series User's Manual	Z352-E1

In the interest of product improvement, specifications are subject to change without notice.

Suitability for Use

Omron Companies shall not be responsible for conformity with any standards, codes or regulations which apply to the combination of the Product in the Buyer's application or use of the Product. At Buyer's request, Omron will provide applicable third party certification documents identifying ratings and limitations of use which apply to the Product. This information by itself is not sufficient for a complete determination of the suitability of the Product in combination with the end product, machine, system, or other application or use. Buyer shall be solely responsible for determining appropriateness of the particular Product with respect to Buyer's application, product or system. Buyer shall take application responsibility in all cases.

NEVER USE THE PRODUCT FOR AN APPLICATION INVOLVING SERIOUS RISK TO LIFE OR PROPERTY WITHOUT ENSURING THAT THE SYSTEM AS A WHOLE HAS BEEN DESIGNED TO ADDRESS THE RISKS, AND THAT THE OMRON PRODUCT(S) IS PROPERLY RATED AND INSTALLED FOR THE INTENDED USE WITHIN THE OVERALL EQUIPMENT OR SYSTEM.

See also Product catalog for Warranty and Limitation of Liability.

OMRON Corporation (Manufacturer)

Shiokoji Horikawa, Shimogyo-ku, Kyoto, 600-8530 JAPAN

Contact: www.ia.omron.com**Regional Headquarters****■ OMRON EUROPE B.V. (Importer in EU)**

Wegalaan 67-69-2132 JD Hoofddorp
The Netherlands
Tel: (31)2356-81-300/Fax: (31)2356-81-388

■ OMRON SCIENTIFIC TECHNOLOGIES INC.

6550 Dumbarton Circle,
Fremont, CA 94555 U.S.A.
Tel: (1) 510-608-3400/Fax: (1) 510-744-1442

■ OMRON ASIA PACIFIC PTE. LTD.

No. 438A Alexandra Road # 05-05/08 (Lobby 2),
Alexandra Technopark,
Singapore 119967
Tel: (65) 6835-3011/Fax: (65) 6835-2711

■ OMRON (CHINA) CO., LTD.

Room 2211, Bank of China Tower,
200 Yin Cheng Zhong Road,
PuDong New Area, Shanghai, 200120, China
Tel: (86) 21-5037-2222/Fax: (86) 21-5037-2200