

OMRON

Model V780-HMD68-EIP-EU

UHF RFID System Reader/Writer

Instruction Sheet

This instruction sheet primarily provides precautions required in installing and operating the product. Before installing or operating the product, read this instruction sheet thoroughly to acquire sufficient knowledge of the product. For your convenience, keep this instruction sheet where it will be available when needed.

- For detailed information, refer to the *user's manual* (Cat. No. Z402-E1).

OMRON Corporation * 3 6 0 4 5 0 6 - 4 B *
© OMRON Corporation 2018 All Rights Reserved.

PRECAUTIONS FOR SAFE USE

- Observe the following precautions to ensure safety.
- Transportation**
 - The Reader/Writer may be damaged if it falls from a high location. When you transport Reader/Writers, do not stack them too high.
 - Injury may occur if the Reader/Writer falls. Do not let the Reader/Writer fall when you carry it.
 - Installation and Removal**
 - Use slip-resistant gloves when you install the Reader/Writer and hold the Reader/Writer securely at the depressions with both hands.
 - Wiring**
 - The Reader/Writer may be damaged. Wire it correctly.
 - The cables may break. Confirm cable specifications and do not bend cables past their normal bending radius.
 - The Reader/Writer may be damaged. Never use an AC power supply.
 - Connect the Ethernet cable to a host device (e.g., Switching Hub or PLC) that supports STP and ground the host device to a ground resistance of 100 Ω or less.
 - Usage**
 - The communications range depends on the operating and installation environment. Use the Reader/Writer only after sufficiently testing operation onsite.
 - If multiple Reader/Writers are installed near each other, communications distances may decrease due to mutual interference. Refer to *Reader/Writer Mutual Interference (Reference Data)* in the appendices to the *user's manual* (Cat. No. Z402-E1) and check to make sure there is no mutual interference between Reader/Writers.
 - Errors and Failures**
 - If an error is detected in the Reader/Writer, immediately stop operation and turn OFF the power supply. Consult with an OMRON representative.
 - Maintenance**
 - Using thinner, benzene, acetone, or kerosene may adversely affect the plastic parts and case coating. Refer to *Chemical Resistance of the Reader/Writer in the appendices to the user's manual* (Cat. No. Z402-E1) and do not use chemicals that would have a negative effect.
 - Disposal**
 - Dispose of the Reader/Writer as industrial waste.

PRECAUTIONS FOR CORRECT USE

Always observe the following precautions to prevent operation failures, malfunctions, and adverse effects on the Reader/Writer.

- Transportation**
 - Always use the packing box that comes with the Reader/Writer when you transport it, and do not subject it to excessive vibration or shock.
- Installation**
 - After you tighten the bolts, make sure that the Reader/Writer is securely attached.
 - Attach the accessory ferrite core to the cable.
- Installation and Storage Environment**

Do not use or store the Reader/Writer in the following locations.

 - Locations subject to combustible gases, explosive gases, corrosive gases, dust, dirt, metal powder, salt, or oil
 - Locations where the specified ambient temperature or ambient humidity range is exceeded
 - Locations subject to extreme temperature changes that may result in condensation
 - Locations where the Reader/Writer would be directly subjected to vibration or shock exceeding specifications
 - Locations subject to water exposure that exceeds the specifications
- Storage Methods**
 - Injury or damage may occur if the Reader/Writer falls. Implement safety measures so that the Reader/Writer will not fall.
- Wiring**
 - To use the Reader/Writer in RUN mode, connect the control signal to the +24V of the power supply. If you connect the control signal to the 0-V side of the power supply, the Reader/Writer will start in Safe Mode.
 - The Reader/Writer may be destroyed. Do not exceed the rated voltage range.
- Usage**
 - The Reader/Writer may fail if it is used with a damaged cable. Do not subject the cable to strong forces or place heavy objects on the cable.
 - Observe the tightening torque specifications for the power supply and communications connectors.
 - The Reader/Writer may fail if heat cannot be dissipated sufficiently. Ensure that heat can be dissipated around the Reader/Writer.
 - Do not use the Reader/Writer outdoors.
 - Do not attempt to disassemble, repair, or modify the Reader/Writer.
- Maintenance**
 - Perform inspections both daily and periodically.
 - The Reader/Writer may fail if it or its wiring is replaced while the power supply is ON. Always turn OFF the power supply before you replace the Reader/Writer or its wiring.

PRECAUTIONS ON SAFETY

Meaning of Signal Words

WARNING Indicates a potentially hazardous situation which, if not avoided, will result in minor or moderate injury, or may result in serious injury or death. Additionally there may be significant property damage.

Alert Statements

WARNING

The V780-HMD68-EIP-EU can be used in the European countries under the RE Directive (2014/53/EU).

An expert well versed in safety measures should be asked to perform the Reader/Writer installations in high locations.

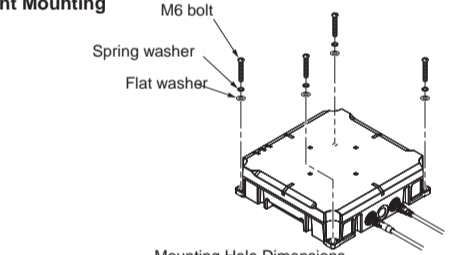
Injury may occur if the Reader/Writer falls and strikes a person. Observe the following precautions when installing the Reader/Writer.

- Do not install if there are persons below the product.
- Observe the recommended tightening torque for bolts.

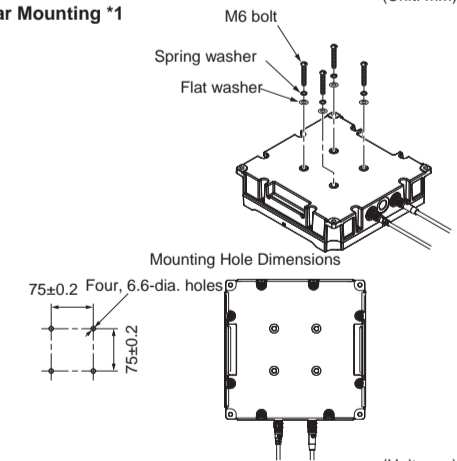
3. Installation

Install the Reader/Writer with four M6 bolts. Use both spring washers and flat washers. Recommended tightening torque: 4.3 N·m

Front Mounting

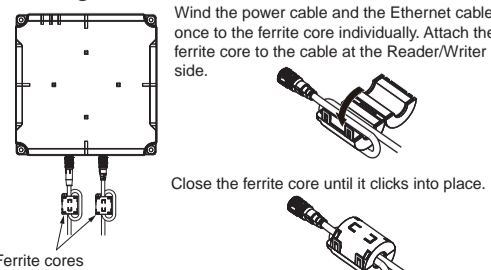


Rear Mounting *1

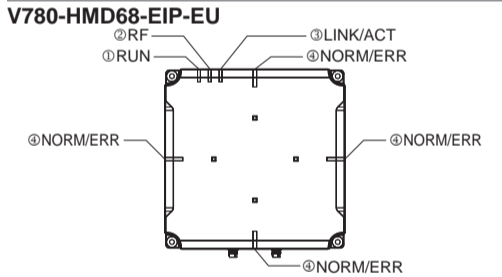


*1. An M6 bolt engagement length of 6 to 8 mm is necessary for rear mounting. The bolts may be hard to tighten. Tighten them to the recommended tightening torque.

Mounting Ferrite Cores



4. Names and Functions of Operation Indicators



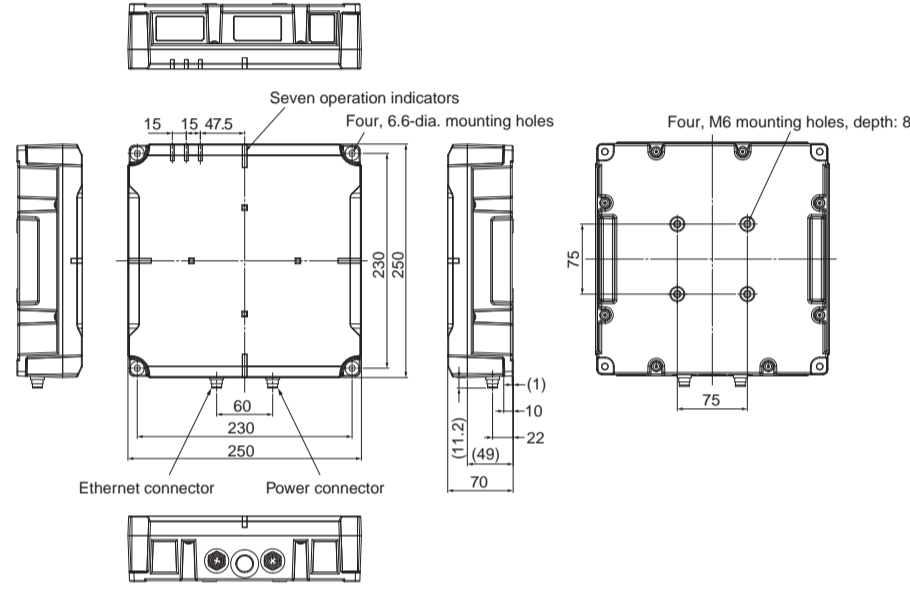
Number and name	Color	Status	Description
① RUN	Green		The indicator will flash quickly in the following cases. • During Reader/Writer initialization • While the Reader/Writer is in Run Mode and is waiting to establish tag data links as the originator
			Flashes during operation in Safe Mode.
			Lit during operation in Run Mode.
	Cyan		Lit during test operation.
② RF	Yellow		Lit during operation in Slave Mode.
			Not lit in the following cases. • When power is not supplied • When there is a watchdog timer (WDT) error
③ LINK/ACT	Green		Lit when a radio wave is being output. (Lit during communications with RF Tag.)
			Not lit when a radio wave is not being output.
④ NORM/ERR	Green		Lit when a link has been established on the Ethernet port.
			Not lit when a link has not been established on the Ethernet port.
	Yellow		Lights once when processing a communications command or another command from the host device is completed normally.
			Lights once each time an unstable communication is detected while communications diagnosis is enabled.
⑤	Green		Flashes quickly when a timeout is detected during tag data links. (A timeout occurs when tag data from the originator is not received within the time specified for the timeout value.)
			Lights once when processing a communications command or another command from the host device ends in an error.
	Red		Lit when a major fault has occurred. (Lit when a fatal error has occurred.)
			Flashes when a minor fault has occurred. (Flashes when a nonfatal error has occurred.)
Cyan		The indicator will flash irregularly in the following cases. • When the same IP address is detected for two different devices on the network at startup • When an error occurs when getting an IP address from the BOOTP server at startup	
		Flashes during installation location notification.	
		Flashes during operation in the Focus Mode.	
		Not lit when the Reader/Writer is on standby.	

1. Ratings and Performances

Item	V780-HMD68-EIP-EU
Dimensions	250 × 250 × 70 mm (W × H × D, excluding protruding parts and cables)
Supply voltage	24 VDC (−15% to +10%) Class2
Power consumption	10 W max.
Ambient operating temperature	−10 to 55°C (with no icing)
Ambient operating humidity	25% to 85% (with no condensation)
Ambient storage temperature	−25 to 70°C (with no icing)
Ambient storage humidity	25% to 85% (with no condensation)
Insulation resistance	20 MΩ min. (at 500 VDC/mega) between cable terminals and case
Dielectric strength	1,000 VAC, 50/60 Hz for 1 min between cable terminals and case
Vibration resistance	No abnormality after application of 10 to 500 Hz, double amplitude: 1.5 mm, acceleration: 100 m/s ² , 10 sweeps in each of 3 axis directions (up/down, left/right, and forward/backward) for 11 minutes each
Shock resistance	No abnormality after application of 500 m/s ² , 3 times each in 6 directions (Total: 18 times)
Degree of protection	IP54 (IEC 60529:2001)
Materials	Plastic case: PBT Metal case: Die-cast aluminum (ADC12)
Weight	Approx. 3 kg
Mounting method	Four M6 bolts
Host communications interface	Ethernet 10BASE-T/100BASE-TX
Host communications protocol	EtherNet/IP
Accessories	Instruction Sheet (1), IP address label (1), Startup Guide (1), Ferrite core (2), and EU DECLARATION OF CONFORMITY (1)
Regulations	2014/53/EU (RE Directive)

2. Dimensions

V780-HMD68-EIP-EU (Unit: mm)



5. Connecting and Disconnecting the Reader/Writer Power Cable and Ethernet Cable

- #### Connecting the Cable

 - Hold onto the connector on the Power Cable and insert it into the Reader/Writer power connector.
 - Turn the connector on the Power Cable clockwise to lock it in place.
Turn the cable connector clockwise until you hear it securely lock in place.
 - Hold onto the connector on the Ethernet Cable and insert it into the Reader/Writer Ethernet connector.
 - Turn the connector on the Ethernet Cable clockwise to lock it in place.
Turn the cable connector clockwise until you hear it securely lock in place.

Disconnecting the Cable

 - Turn the connector on the Power Cable counterclockwise to unlock it.
 - Hold onto the connector on the Power Cable and pull it straight out to remove it.
 - Turn the connector on the Ethernet Cable counterclockwise to unlock it.
 - Hold onto the connector on the Ethernet Cable and pull it straight out to remove it.

Reader/Writer Ethernet connector

Appearance	Size	Opening shape	Polarity
	M12	Receptacle	Male
Pin No.	Name	Description	I/O
1	TD+	Ethernet send + signal	OUT
2	RD+	Ethernet receive + signal	IN
3	TD−	Ethernet send − signal	OUT
4	RD−	Ethernet receive − signal	IN
Housing	FG	Frame ground	

Recommended Ethernet Cable (100 m max.)

XS5W-T42□□-ME-K (made by OMRON)

Reader/Writer Power Connector

Appearance	Size	Opening shape	Polarity
	M12	Receptacle	Male
Pin No.	Name	Description	I/O
1	24P	+24V	
2	CONT	Control signal (operating mode signal) * Run Mode: Connect to 24 V and then start the Reader/Writer. Safe Mode: Connect to 0 V and then start the Reader/Writer.	IN
3	24N	0V	
4			

Recommended Power Cable (60 m max.)

XS5F-D42□□-80-F (made by OMRON)

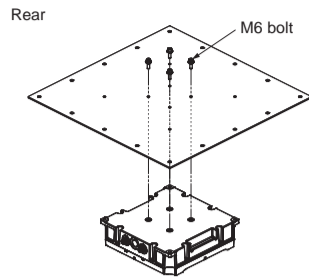
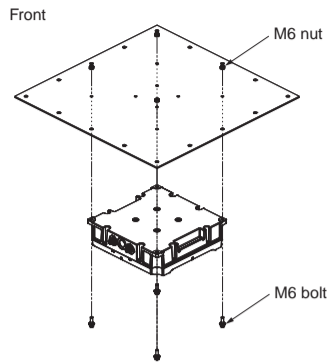
6. Regulations and Standards

1. UL Certification

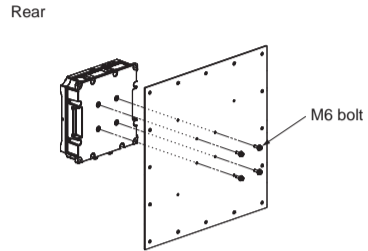
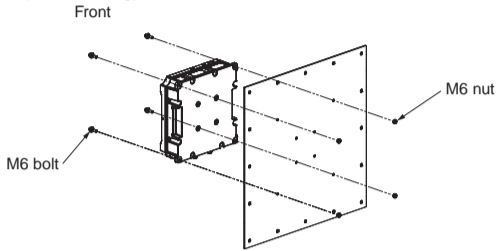
V780-HMD68-EIP has been certificated by UL

- There is a danger of burns when using at high temperature.
- The V780-HMD68-EIP is used for factory use. Do not use in medical applications.
- Use UL certification cable.
- The symbol "≡" on the product label indicates direct current.
- If the equipment is used in a manner not specified by the manufacturer, the protection provided by the equipment may be impaired.
- Installation direction

[Ceil Mounting]



[Side Mounting]



- A statement of range of environmental conditions.

Pollution degree	3
Used place	Indoor use
Altitude	up to 2000m

2. WEEE Directive (2012/19/EC)



Dispose in accordance with applicable regulations.

Suitability for Use

Omron Companies shall not be responsible for conformity with any standards, codes or regulations which apply to the combination of the Product in the Buyer's application or use of the Product. At Buyer's request, Omron will provide applicable third party certification documents identifying ratings and limitations of use which apply to the Product. This information by itself is not sufficient for a complete determination of the suitability of the Product in combination with the end product, machine, system, or other application or use. Buyer shall be solely responsible for determining appropriateness of the particular Product with respect to Buyer's application, product or system. Buyer shall take application responsibility in all cases.

NEVER USE THE PRODUCT FOR AN APPLICATION INVOLVING SERIOUS RISK TO LIFE OR PROPERTY WITHOUT ENSURING THAT THE SYSTEM AS A WHOLE HAS BEEN DESIGNED TO ADDRESS THE RISKS, AND THAT THE OMRON PRODUCT(S) IS PROPERLY RATED AND INSTALLED FOR THE INTENDED USE WITHIN THE OVERALL EQUIPMENT OR SYSTEM.

OMRON Corporation Kyoto, JAPAN	Industrial Automation Company Contact: www.ia.omron.com
Regional Headquarters	
OMRON EUROPE B.V. Wegalaan 67-69, 2132 JD Hoofddorp The Netherlands Tel: (31)2356-81-300/Fax: (31)2356-81-388	
OMRON ELECTRONICS LLC 2895 Greenspoint Parkway, Suite 200 Hoffman Estates, IL 60169 U.S.A. Tel: (1) 847-843-7900/Fax: (1) 847-843-7787	
OMRON ASIA PACIFIC PTE. LTD. No. 438A Alexandra Road # 05-05/08 (Lobby 2), Alexandra Technopark, Singapore 119967 Tel: (65) 6835-3011/Fax: (65) 6835-2711	
OMRON (CHINA) CO., LTD. Room 2211, Bank of China Tower, 200 YIn Cheng Zhong Road, PuDong New Area, Shanghai, 200120, China Tel: (86) 21-5037-2222/Fax: (86) 21-5037-2200	