

# OMRON

Model

# XW2G-40G7-E

Input Terminal Block for CJ1W-CTL41-E

## INSTRUCTION SHEET

Thank you for purchasing an OMRON product. Read this instruction sheet thoroughly and familiarise yourself with the functions and characteristics of the product before using it. To ensure safe and correct use of this Unit, also read the following manual (Cat No. W02E-EN-01 CJ1W-CTL41-E 4-Channel Counter Unit Operation Manual).



Keep this instruction sheet for future reference.

**OMRON MANUFACTURING OF THE NETHERLANDS B.V.**

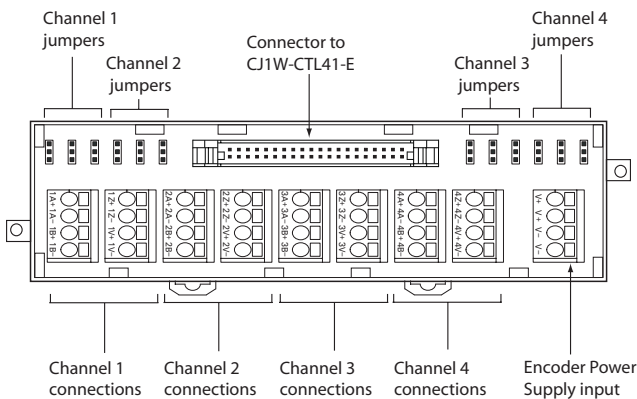
© OMRON Corporation 2004 All Rights Reserved

1643469-2A

**⚠ DANGER** Do not attempt to take the Unit apart and do not touch any internal parts while the power is being supplied. Doing either of these may result in electrical shock, and serious or fatal injury.

**⚠ Caution** Do not use the XW2G-40G7-E Input Terminal Block with other Units than the CJ1W-CTL41-E. Doing this might cause damage to these Units.

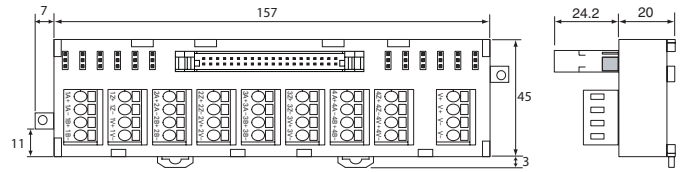
### ■ Nomenclature



### ■ Unit Specifications

Storage temperature	-20 to +75 °C
Ambient temperature	0 to +55 °C
Ambient humidity	10 to 90% (non-condensing)
EMC compliance	EN 50081-2, EN 61131-2
Mounting	DIN-rail mountable
Weight	125 g (typical)

### ■ Dimensions



### ■ Jumper settings

The XW2G-40G7-E provides a means to select the level for every Input signal separately, using the jumper. The following selections are possible

	Setting	Description
LD 24V	LD	The Line Driver level is selected. Input signals are directly connected to the cable connector.
LD 24V	24V	The 24 V level is selected. Input signals are connected to the cable connector via a resistor of 2.7 kΩ

- Always set all three jumpers for a channel to a single selection.
- Default jumper setting: 24 V

**⚠ Caution** Do not set the jumpers to the Line Driver (LD) setting if the Encoders signals are 24V. Doing so can cause damage to the CJ1W-CTL41-E Unit.

### ■ Encoder Power Supply

The XW2G-40G7-E provides power distribution to Encoders:

- Power supply input terminals: V+ / V-
- Power output to Encoders: nV+/nV- (n = 1, 2, 3, 4)
- In case encoders with different supply voltages are used on one counter unit, supply power to them separately

### ■ Cable specifications

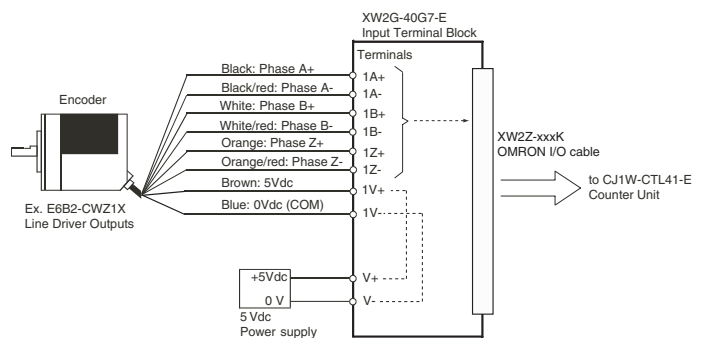
The XW2G-40G7-E must be connected to the CJ1W-CTL41-E using one of the following cable types:

Cable type	Length	Cable type	Length
XW2Z-050K	0.5 m	XW2Z-200K	2.0 m
XW2Z-100K	1.0 m	XW2Z-300K	3.0 m
XW2Z-150K	1.5 m	XW2Z-500K	5.0 m

These cables can be ordered from OMRON

### ■ Wiring

The figure below shows a Line Driver wiring example for one Encoder:



Note: All Channel 1 jumpers in Line Driver setting

# OMRON

**OMRON CORPORATION**  
**OMRON EUROPE B.V.**

Wegalaan 67-69, NL-2132 JD, Hoofddorp, The Netherlands  
Phone (+31) 23 - 56 81 300, Fax (+31) 23 - 56 81 388

Note: Specification subject to change without notice  
Printed in The Netherlands

1643469-2A

