

Product Discontinuation

Basic Switch

Z-15H2**Z-15H2-B****Z-15H2-B2-K****Z-15H2-B7-K****Z-15H2D-T****Z-15H74-B****Z-15HD-S****Z-15HW52****Z-15HW52-B****Z-15P1-B7-K****Recommended Replacement**

Basic Switch

Z-15H**Z-15H-B****Z-15H-B****Z-15H-B****Z-15HD****Z-15H-B****Z-15HD****Z-15GW OMI****Z-15GW-B OMI****Z-15H-B****[Final order entry date]**

The end of March, 2025

[Date of The Last Shipping]

The end of June, 2025

[Caution on recommended replacement]

- Please note that all recommended replacement products have a large Movement differential(MD).
- Recommended replacement products for Z-15P1-B7-K, Z-15H2-B2-K, and Z-15H2-B7-K have different terminal screw sizes.
When using crimp terminals, please note that the outer diameter of the terminal screw threads will be larger.
- Recommended replacement products for Z-15P1-B7-K, Z-15H2-B2-K, and Z-15H2-B7-K have larger mounting hole diameters.
Please note that if you use the product without changing the screw size during installation, it may cause looseness.
- Please note that the movement of the recommended replacement product for Z-15P1-B7-K cannot be adjusted by the customer.

[Difference from discontinued product]



Product discontinuation Model	Recommended replacement Model	Body Color	Dimensions	Wire connection	Mounting Dimensions	Characteristics	Operation ratings	Operation methods
Z-15H2	Z-15H	**	**	**	**	*	--	**
Z-15H2-B	Z-15H-B	**	**	**	**	*	--	**
Z-15H2-B2-K	Z-15H-B	**	--	--	--	*	--	**
Z-15H2-B7-K	Z-15H-B	**	**	--	--	*	--	**
Z-15H2D-T	Z-15HD	--	**	**	**	--	--	**
Z-15H74-B	Z-15H-B	**	**	**	**	*	--	**
Z-15HD-S	Z-15HD	**	**	**	**	*	--	**
Z-15HW52	Z-15GW OMI	**	--	**	**	*	--	**
Z-15HW52-B	Z-15GW-B OMI	**	**	**	**	*	--	**
Z-15P1-B7-K	Z-15H-B	**	--	--	--	*	--	--

- ** : Compatible
- * : The change is a little/Almost compatible
- : Not compatible
- : No corresponding specification

[Product Discontinuation and recommended replacement]

Product discontinuation	Recommended replacement
Z-15H2	Z-15H
Z-15H2-B	Z-15H-B
Z-15H2-B2-K	Z-15H-B
Z-15H2-B7-K	Z-15H-B
Z-15H2D-T	Z-15HD
Z-15H74-B	Z-15H-B
Z-15HD-S	Z-15HD
Z-15HW52	Z-15GW OMI
Z-15HW52-B	Z-15GW-B OMI
Z-15P1-B7-K	Z-15H-B

[Body color]

Product discontinuation Model Z-15H2D-T	Recommendable replacement Model Z-15HD
Cover: Green Case: Green  Case: Green The photo shows Z-15GD-B with the same shape.	Cover: Black Case: Black  Case: Black The photo shows Z-15GD-B with the same shape.

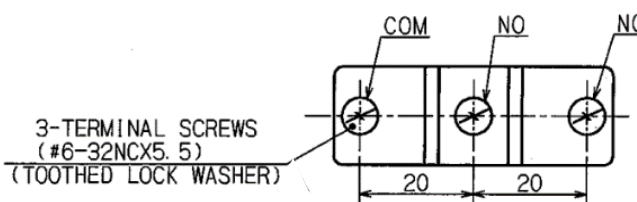
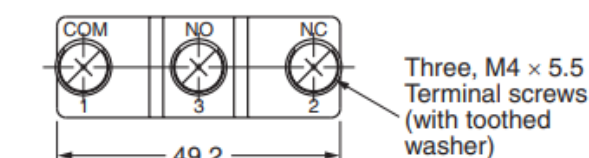
[Dimensions]

Product discontinuation Model Z-15P1-B7-K	Recommendable replacement Model Z-15H-B
<p>ADJUSTING DIAL 17 DIA. DIAL STOPPER 2.3 DIA. PRETRAVEL OPERATING POSITION 23.3±0.25 11.7 3.5 16.5 26 MAX. 3.56^{+0.075}/_{-0.025} DIA. 3.86^{+0.1}/_{-0.05} DIA. 3.56^{+0.075}/_{-0.025} DIA. 17.45±0.2 9.2 24.2 25.4±0.1 11.9 49.2 COM NO NC 3-TERMINAL SCREWS (#6-32NCX5.5) (TOOTHED LOCK WASHER)</p>	<p>PT OP 23.3±0.25 4.2^{+0.075}/_{-0.025} dia. hole 2.3 dia. 2.3SR * 24.2 9.2 17.45±0.2 * Stainless-steel plunger 4.2^{+0.075}/_{-0.025} 4.36^{+0.1}/_{-0.05} dia. 25.4±0.1 11.9 49.2 COM NO NC Three, M4 × 5.5 Terminal screws (with toothed washer)</p>

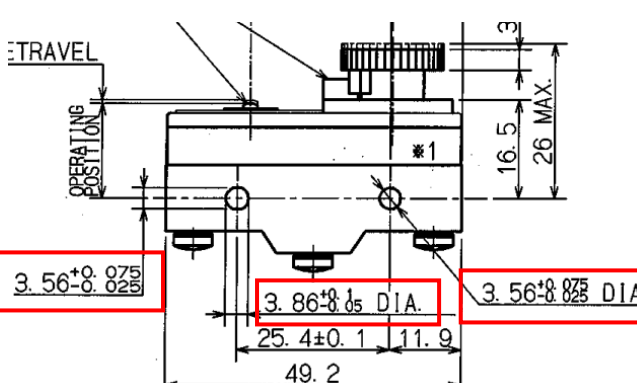
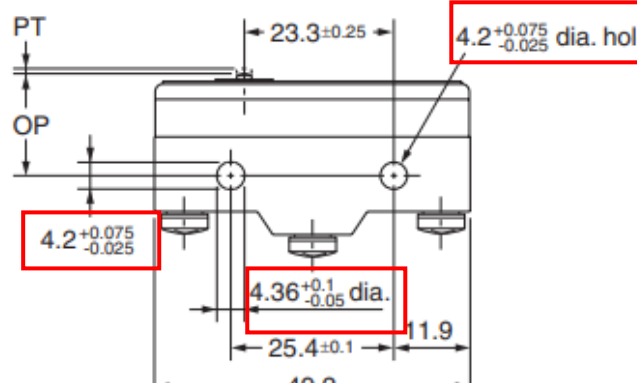
Product discontinuation Model Z-15H2-B2-K	Recommendable replacement Model Z-15H-B
<p>PRETRAVEL OPERATING POSITION 23.3±0.25 STAINLESS STEEL PLUNGER 2.3 DIA. 9.2 5.6 28.8 14.7 3.56^{+0.075}/_{-0.025} DIA. 3.86^{+0.1}/_{-0.05} DIA. 3.56^{+0.075}/_{-0.025} DIA. 17.45±0.2 49.2 25.4±0.1 11.9 4-R1.55 10.2 11.2 9.8 8-R1 COM NO NC 3-#6-32 X5.5 PAN HEAD TERMINAL SCREWS AND SQUARE LOCK WASHERS</p>	<p>PT OP 23.3±0.25 4.2^{+0.075}/_{-0.025} dia. hole 2.3 dia. 2.3SR * 24.2 9.2 17.45±0.2 * Stainless-steel plunger 4.2^{+0.075}/_{-0.025} 4.36^{+0.1}/_{-0.05} dia. 25.4±0.1 11.9 49.2 COM NO NC Three, M4 × 5.5 Terminal screws (with toothed washer)</p>

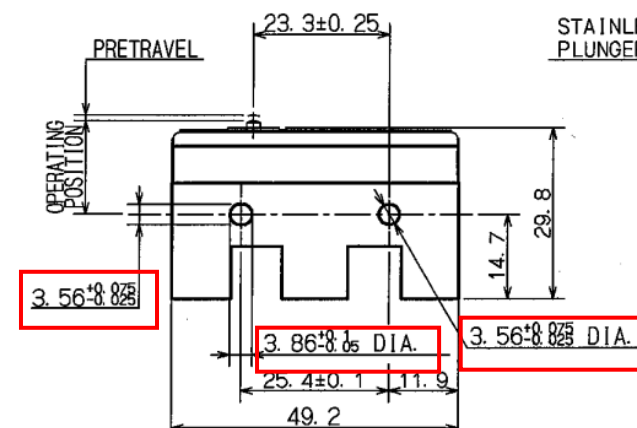
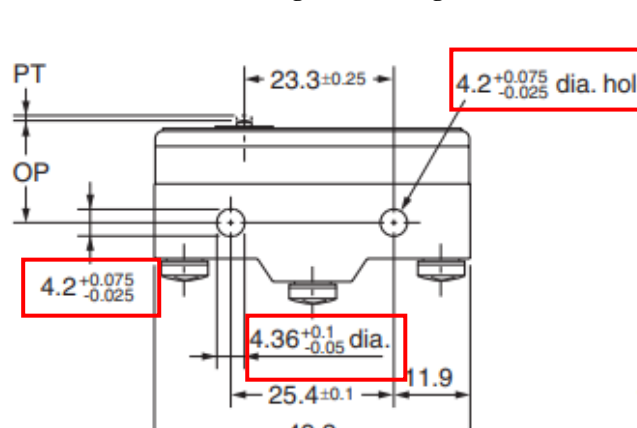
Product discontinuation Model Z-15HW52	Recommendable replacement Model Z-15GW
<p>Actuator shape: wire lever type Thickness: Φ1.0mm</p> <p>Z-15HW52 10A 125.250VAC 0.8A 250VAC 0.2A 250VAC</p>	<p>Actuator shape: lever type Width: 4.9mm, Thickness: 1mm</p> <p>Z-15GW 15A 125.250VAC 1/8HP 125VAC 1/4HP 250VAC 1/2A 125VAC 1/4HP 250VAC 1/2A 125VAC 1/4HP 250VAC 1/2A 125VAC 1/4HP 250VAC MADE IN JAPAN 15A 250V~ UL TNS OEB-1 CE</p>

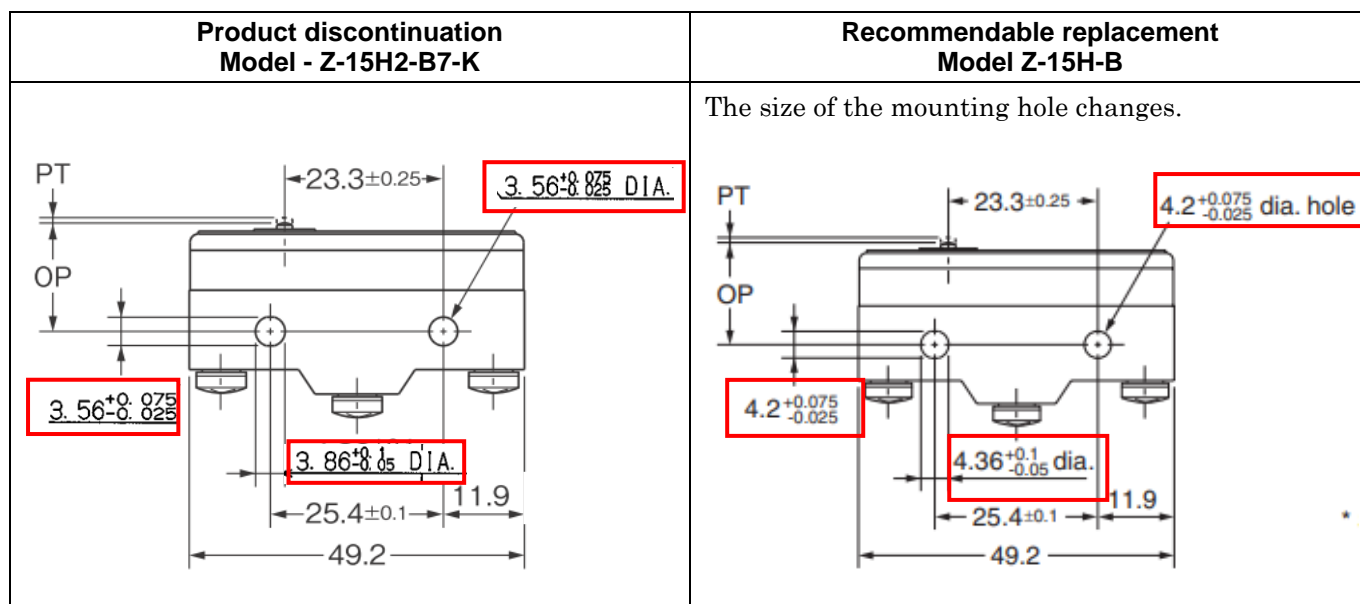
[Wire connection]

<p>Product discontinuation Model Z-15P1-B7-K Model Z-15H2-B2-K Model Z-15H2-B7-K</p>	<p>Recommendable replacement Model Z-15H-B Model Z-15H-B Model Z-15H-B</p>
<p>Screw size: 6-32NC×5.5</p> 	<p>Screw size: M4×5.5</p> 

[Mounting dimensions]

<p>Product discontinuation Model Z-15P1-B7-K</p>	<p>Recommendable replacement Model Z-15H-B</p>
<p>The size of the mounting hole changes.</p> 	<p>The size of the mounting hole changes.</p> 

<p>Product discontinuation Model - Z-15H2-B2-K</p>	<p>Recommendable replacement Model Z-15H-B</p>
<p>The size of the mounting hole changes.</p> 	<p>The size of the mounting hole changes.</p> 



[Characteristics]

Item	Product discontinuation Model Z-15H2 Model Z-15H2-B	Recommendable replacement Model Z-15H Model Z-15H-B
Malfunction shock	100m/s ² max.	200m/s ² max.
Electrical rating (typical value)	250VAC, 10A, Resistive load	250VAC , 15A, Resistive load

Item	Product discontinuation Model Z-15P1-B7-K	Recommendable replacement Model Z-15H-B
Malfunction shock	100m/s ² max.	200m/s ² max.
Actuator strength	Withstands 31.38N in the operating direction for 1 minute	Withstands 23.52N in the operating direction for 1 minute
Mechanical durability	500,000 operations min.	20,000,000 operations min.
Electrical durability	100,000 operations min.	500,000 operations min.

Item	Product discontinuation Model Z-15H2-B2-K	Recommendable replacement Model Z-15H-B
Malfunction shock	100m/s ² max.	200m/s ² max.
Actuator strength	Withstands 13.7N in the operating direction for 1 minute	Withstands 23.52N in the operating direction for 1 minute
Electrical rating (typical value)	250VAC, 10A, Resistive load 30VDC, 2A, Resistive load	250VAC, 15A, Resistive load 30VDC, 6A, Resistive load
Dielectric strength(Between contacts of same polarity)	600VAC, for 1 min	1,000VAC, for 1 min
Mechanical durability	10,000,000 operations min.	20,000,000 operations min.

Item	Product discontinuation Model Z-15H2-B7-K	Recommendable replacement Model Z-15H-B
Malfunction shock	100m/s ² max.	200m/s ² max.
Actuator strength	Withstands 35.30N in the operating direction for 1 minute	Withstands 23.52N in the operating direction for 1 minute
Electrical rating (typical value)	250VAC, 10A, Resistive load 30VDC, 2A, Resistive load	250VAC, 15A , Resistive load 30VDC, 6A , Resistive load
Dielectric strength(Between contacts of same polarity)	600VAC, for 1 min	1,000VAC, for 1 min
Mechanical durability	10,000,000 operations min.	20,000,000 operations min.

Item	Product discontinuation Model Z-15H74-B	Recommendable replacement Model Z-15H-B
Malfunction shock	50m/s ² max.	200m/s ² max.
Actuator strength	Withstands 12.96N in the operating direction for 1 minute	Withstands 23.52N in the operating direction for 1 minute
Electrical rating (typical value)	250VAC, 10A, Resistive load	250VAC, 15A, Resistive load
Mechanical durability	10,000,000 operations min.	20,000,000 operations min.

Item	Product discontinuation Model Z-15H2D-T	Recommendable replacement Model Z-15HD
Actuator strength	Withstands 31.3N in the operating direction for 1 minute	Withstands 34N in the operating direction for 1 minute
Electrical rating (typical value)	250VAC, 10A, Resistive load 30VDC, 2A, Resistive load	250VAC, 15A, Resistive load 30VDC, 6A, Resistive load
Storage/use temperature	-25°C to +120°C	-25°C to +80°C

Item	Product discontinuation Model Z-15HD-S	Recommendable replacement Model Z-15HD
Electrical rating (typical value)	250VAC, 1.5A, Resistive load	250VAC, 15A, Resistive load
Electrical durability	3,000,000 operations min.	10,000,000 operations min.

Item	Product discontinuation Model Z-15HW52 Model Z-15HW52-B	Recommendable replacement Model Z-15GW OMI Model Z-15GW-B OMI
Malfunction shock	50m/s ² max.	150m/s ² max.
Actuator strength	Withstands 0.78N in the operating direction for 1 minute	Withstands 8.28N in the operating direction for 1 minute
Electrical rating (typical value)	250VAC, 10A, Resistive load 30VDC, 2A, Resistive load	250VAC, 15A, Resistive load 30VDC, 6A, Resistive load
Dielectric strength(Between contacts of same polarity)	600VAC, for 1 min	1,000VAC, for 1 min

[Operation ratings]

Product discontinuation Model Z-15H2 Model Z-15H2-B Model Z-15H2-B2-K Model Z-15H2-B7-K			Recommendable replacement Model Z-15H Model Z-15H-B Model Z-15H-B Model Z-15H-B		
Item	Symbol	Standard	Item	Symbol	Standard
Operating force	OF	1.96 to 2.50N	Operating force	OF	1.96 to 2.75N
Overtravel	OT	0.1mm min.	Overtravel	OT	0.13mm min.
Movement differential	MD	0.005 to 0.008mm	Movement differential	MD	0.025mm max.

Product discontinuation Model Z-15P1-B7-K			Recommendable replacement Model Z-15H-B		
At dial 1					
Item	Symbol	Standard	Item	Symbol	Standard
Operating force	OF	1.37N	Operating force	OF	1.96 to 2.75N
Pretravel	PT	0.3mm max.	Pretravel	PT	0.3mm max.
Overtravel	OT	0.14mm min.	Overtravel	OT	0.13mm min.
Movement differential	MD	0.015mm max.	Movement differential	MD	0.025mm max.
At dial 9					
Item	Symbol	Standard			
Operating force	OF	5.30N			
Pretravel	PT	0.7mm max.			
Overtravel	OT	0.14mm min.			
Movement differential	MD	0.05mm max.			

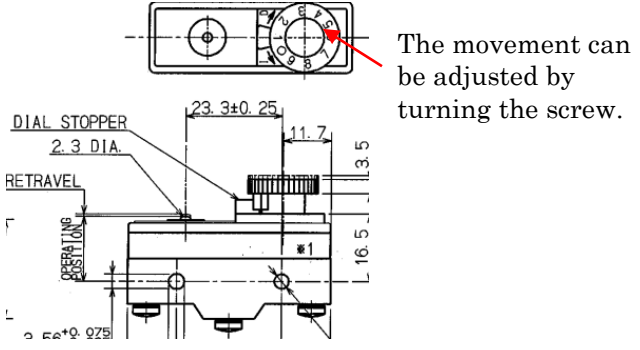
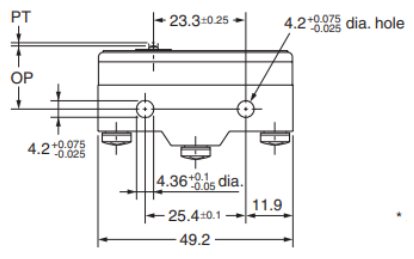
Product discontinuation Model Z-15H74-B			Recommendable replacement Model Z-15H-B		
Item	Symbol	Standard	Item	Symbol	Standard
Operating force	OF	1.08N max.	Operating force	OF	1.96 to 2.75N
Release force	RF	0.39mm min.	Release force	RF	1.12mm min.
Movement differential	MD	0.005mm max.	Movement differential	MD	0.025mm max.
Movement force	DF	0.25 to 0.39N	Movement force	DF	-(No regulations)

Product discontinuation Model Z-15H2D-T			Recommendable replacement Model Z-15HD		
Item	Symbol	Standard	Item	Symbol	Standard
Operating force	OF	2.55N max.	Operating force	OF	1.96 to 2.75N
Movement differential	MD	0.013mm max.	Movement differential	MD	0.025mm max.

Product discontinuation Model Z-15HD-S			Recommendable replacement Model Z-15HD		
Item	Symbol	Standard	Item	Symbol	Standard
Movement differential	MD	0.015mm max.	Movement differential	MD	0.025mm max.

Product discontinuation Model Z-15HW52 Model Z-15HW52-B			Recommendable replacement Model Z-15GW OMI Model Z-15GW-B OMI		
Item	Symbol	Standard	Item	Symbol	Standard
Operating force	OF	58.8N max.	Operating force	OF	0.69N max.
Release force	RF	4.9mN min.	Release force	RF	0.14N min.
Pretravel	PT	8.3mm max.	Pretravel	PT	-(No regulations)
Movement differential	MD	0.65mm max.	Movement differential	MD	1.27mm max.
Operating Position	OP	19±1mm	Operating Position	OP	19±0.8mm

[Operation methods]

Product discontinuation Model Z-15P1-B7-K	Recommendable replacement Model Z-15H-B
 <p>The movement can be adjusted by turning the screw.</p>	<p>It is not possible to adjust the movement up to the point of operation.</p> 

Specifications and prices in this product news are as of the issue date and are subject to change without notice. Only main changes in specifications are described in this document. Please be sure to read the relevant catalogs, datasheets, product specifications, instructions, and manuals for precautions and necessary information when using products.