

Product Discontinuation Notices

Issue Date
April 2nd, 2024

Product Discontinuation

Miniature power relay



MODEL MY4ZN1 series
MODEL MY4ZIN1 series



Recommended Replacement

Miniature power relay

MODEL MY4ZN series
MODEL MY4ZIN series

[Final order entry date]

The end of March, 2025

[Date of The Last Shipping]

The end of June, 2025

[Caution on recommended replacement]

None

[Difference from discontinued product]



Recommended replacement Model	Body Color	Dimensions	Wire connection	Mounting Dimensions	Characteristics	Operation ratings	Operation methods
MY4ZN	**	**	**	**	**	**	**
MY4ZIN	**	**	**	**	**	**	**

- ** : Compatible
- * : The change is a little/Almost compatible
- : Not compatible
- : No corresponding specification

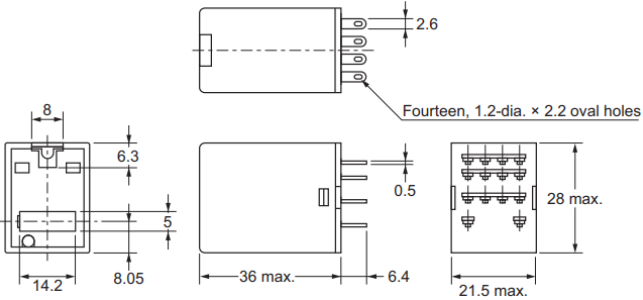
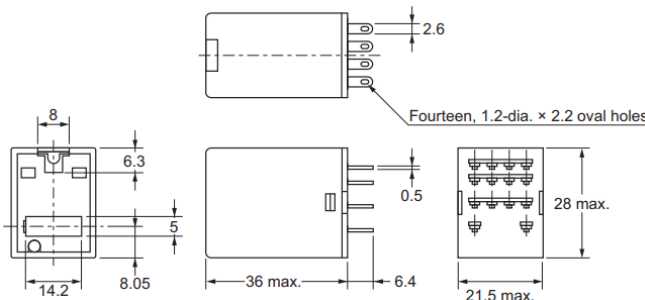
[Product Discontinuation and recommended replacement]

Product discontinuation	Recommended replacement
MY4ZIN1 DC100/110 (S)	MY4ZIN DC100/110 (S)
MY4ZIN1 DC12 (S)	MY4ZIN DC12 (S)
MY4ZIN1 DC24 (S)	MY4ZIN DC24 (S)
MY4ZIN1 DC48 (S)	MY4ZIN DC48 (S)
MY4ZIN1 DC6 (S)	MY4ZIN DC6 (S)
MY4ZN1 DC100/110 (S)	MY4ZN DC100/110 (S)
MY4ZN1 DC12 (S)	MY4ZN DC12 (S)
MY4ZN1 DC24 (S)	MY4ZN DC24 (S)
MY4ZN1 DC48 (S)	MY4ZN DC48 (S)
MY4ZN1 DC6 (S)	MY4ZN DC6 (S)

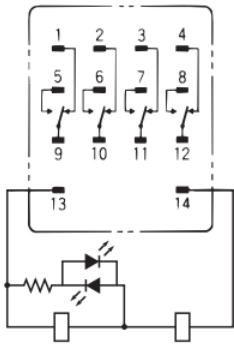
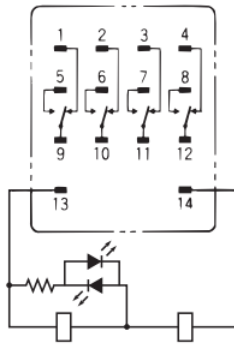
[Body color]

Product discontinuation Model MY4ZN1 Model MY4ZIN1	Recommendable replacement Model MY4ZN Model MY4ZIN
<p>Body color</p> <p>MY4ZN1 *without Latching lever</p> <p>MY4ZIN1</p> 	<p>Body color</p> <div style="border: 1px solid black; padding: 5px; width: fit-content; margin: 0 auto;"> <p>No difference</p> </div> <p>MY4ZN *without Latching lever</p> <p>MY4ZIN</p> 

[Dimensions]

Product discontinuation Model MY4ZN1 Model MY4ZIN1	Recommendable replacement Model MY4ZN Model MY4ZIN
<p>Dimensions</p> <p>MY4ZN1 *without Latching lever MY4ZIN1</p>  <p>Fourteen, 1.2-dia. × 2.2 oval holes</p>	<p>Dimensions</p> <div style="border: 1px solid black; padding: 5px; width: fit-content; margin: 0 auto;"> <p>No difference</p> </div> <p>MY4ZN *without Latching lever MY4ZIN</p>  <p>Fourteen, 1.2-dia. × 2.2 oval holes</p>

[Wire connection]

Product discontinuation Model MY4ZN1 Model MY4ZIN1	Recommendable replacement Model MY4ZN Model MY4ZIN
<p>Wire connection</p> <p>MY4ZN1 , MY4ZIN1</p> 	<p>Wire connection</p> <div style="border: 1px solid black; padding: 5px; width: fit-content; margin: 0 auto;"> <p>No difference</p> </div> <p>MY4ZN , MY4ZIN</p> 

[Mounting dimensions]

Product discontinuation Model MY4ZN1 Model MY4ZIN1	Recommendable replacement Model MY4ZN Model MY4ZIN
Refer to dimensions	
<div style="border: 1px solid black; padding: 5px; display: inline-block;">No difference</div>	

[Characteristics]

Item	Product discontinuation Model MY4ZN1 Model MY4ZIN1	Recommendable replacement Model MY4ZN Model MY4ZIN																										
Ratings Operating Coils MY4ZN1 , MY4ZIN1 , MY4ZN , MY4ZIN		<div style="border: 1px solid black; padding: 5px; display: inline-block;">No difference</div>																										
	<table border="1" style="width: 100%; border-collapse: collapse;"> <thead> <tr> <th style="text-align: center;">Rated voltage (V)</th> <th style="text-align: center;">Rated current (mA)</th> <th style="text-align: center;">Coil resistance (Ω)</th> <th style="text-align: center;">Must Operate voltage (V)</th> <th style="text-align: center;">Must Release voltage (V)</th> <th style="text-align: center;">Maximum voltage (V)</th> <th style="text-align: center;">Power consumption (W)</th> </tr> </thead> <tbody> <tr> <td style="text-align: center;">DC6</td> <td style="text-align: center;">151</td> <td style="text-align: center;">39.8</td> <td rowspan="5" style="text-align: center; vertical-align: middle;">80% max.</td> <td rowspan="5" style="text-align: center; vertical-align: middle;">10% min.</td> <td rowspan="5" style="text-align: center; vertical-align: middle;">110% of rated voltage</td> <td rowspan="5" style="text-align: center; vertical-align: middle;">Approx. 0.9</td> </tr> <tr> <td style="text-align: center;">DC12</td> <td style="text-align: center;">75</td> <td style="text-align: center;">160</td> </tr> <tr> <td style="text-align: center;">DC24</td> <td style="text-align: center;">37.7</td> <td style="text-align: center;">636</td> </tr> <tr> <td style="text-align: center;">DC48</td> <td style="text-align: center;">18.8</td> <td style="text-align: center;">2,560</td> </tr> <tr> <td style="text-align: center;">DC100/110</td> <td style="text-align: center;">9.0/9.9</td> <td style="text-align: center;">11,100</td> </tr> </tbody> </table>	Rated voltage (V)	Rated current (mA)	Coil resistance (Ω)	Must Operate voltage (V)	Must Release voltage (V)	Maximum voltage (V)	Power consumption (W)	DC6	151	39.8	80% max.	10% min.	110% of rated voltage	Approx. 0.9	DC12	75	160	DC24	37.7	636	DC48	18.8	2,560	DC100/110	9.0/9.9	11,100	
Rated voltage (V)	Rated current (mA)	Coil resistance (Ω)	Must Operate voltage (V)	Must Release voltage (V)	Maximum voltage (V)	Power consumption (W)																						
DC6	151	39.8	80% max.	10% min.	110% of rated voltage	Approx. 0.9																						
DC12	75	160																										
DC24	37.7	636																										
DC48	18.8	2,560																										
DC100/110	9.0/9.9	11,100																										
<p>Note 1. The rated current and coil resistance are measured at a coil temperature of 23°C with tolerances of ±15% for DC coil resistance.</p> <p>2. Operating characteristics were measured at a coil temperature of 23°C.</p> <p>3. The maximum voltage capacity was measured at an ambient temperature of 23°C.</p>																												

Contact ratings

No difference

Model	MY4ZN1 MY4ZIN1	MY4ZN MY4ZIN
Contact structure	Bifurcated	
Rated load (Resistive load)	AC250V 3A DC30V 3A	
Rated load (Inductive load) (cosφ=0.4, L/R=7ms)	AC250V 0.8A DC30V 1.5A	
Rated carry current	5A	
Maximum Switching voltage	AC250V DC125V	
Maximum Switching current	5A	
Maximum Switching power (Resistive load)	AC1,250VA DC150W	
Maximum Switching power (Inductive load)	AC200VA DC45W	
Contact material	Au cladding + Ag alloy	

Item	Product discontinuation Model MY4ZN1 Model MY4ZIN1	Recommendable replacement Model MY4ZN Model MY4ZIN
-------------	---	---

Characteristics

No difference

Model	MY4ZN1 MY4ZIN1	MY4ZN MY4ZIN
Contact resistance	100mΩ max. (1 A at 5 VDC using the voltage drop method.)	
Operate time	20ms max. (With rated operating power applied, not including contact bounce)	
Release time	20ms max. (With rated operating power applied, not including contact bounce)	
Maximum switching frequency	Mechanical: 18,000 operations/h Rated operate: 1,800 operations/h	
Insulation resistance	1,000MΩ min. (DC500V)	
Dielectric strength	Between coil and contacts: 2,000 VAC, 50/60 Hz for 1min Between contacts of different polarity: 2,000 VAC, 50/60 Hz for 1min Between contacts of the same polarity: 1,000 VAC, 50/60 Hz for 1min	
Vibration resistance	Destruction	10 to 55 to 10Hz, 0.5-mm single amplitude (1.0-mm double amplitude)
	Malfunction	10 to 55 to 10Hz, 0.5-mm single amplitude (1.0-mm double amplitude)
Shock resistance	Destruction	1,000m/s ²
	Malfunction	200m/s ²
Endurance	Mechanical	20,000,000 operations min. (switching frequency: 18,000 operations/h)
	Electrical	100,000 operations min. (switching frequency: 1,800 operations/h)
Failure rate P value (reference value)	100μA at 1 VDC (switching frequency: 120 operations/min)	
Weight	Approx. 35g	

● **Certified Standards**







No difference

Model	MY4ZN1 MY4ZIN1	MY4ZN MY4ZIN
UL	UL508(File No.E41515)	
CSA	C22.2 No.0, No.14(File No.LR31928)	
VDE	EN 61810-1(Certification No.112467UG)	
Lloyd's Register	File No.98/10014	

[Operation ratings]

Product discontinuation Model MY4ZN1 Model MY4ZIN1	Recommendable replacement Model MY4ZN Model MY4ZIN
Refer Operating Coils	
<div style="border: 1px solid black; padding: 2px; display: inline-block;">No difference</div>	

[Operation methods]

Product discontinuation Model MY4ZN1 Model MY4ZIN1	Recommendable replacement Model MY4ZN Model MY4ZIN
<p style="text-align: center;">Latching lever operating procedure (I type only)</p> <div style="display: flex; justify-content: space-around; align-items: flex-start;"> <div style="text-align: center;"> <p>Steady-state</p>   </div> <div style="text-align: center;"> <p>Mode 1 (momentary)</p>   <p style="color: red; font-size: small;">Yellow button</p> </div> <div style="text-align: center;"> <p>Mode 2 (locked)</p>   </div> </div> <div style="text-align: center; margin-top: 10px;"> <p>Sliding the lever to the first stage and pressing the yellow button using an insulated flat-blade screwdriver, etc., will operate the contacts.</p> </div> <div style="text-align: center; margin-top: 10px;"> <p>Sliding the lever to the second stage will lock the contacts in the operating position.</p> </div> <div style="text-align: right; margin-top: 20px; border: 1px solid black; padding: 5px;"> <p>No difference</p> </div>	

Specifications and prices in this product news are as of the issue date and are subject to change without notice. Only main changes in specifications are described in this document. Please be sure to read the relevant catalogs, datasheets, product specifications, instructions, and manuals for precautions and necessary information when using products.