

Product Discontinuation

Call/Door Box

Model 13029-802



Recommended Replacement

Mobile I/O Box

Model 23419-802

Mobile I/O Box Power Supply

Model 23419-812

(New model expected to be released in April, 2023.)



[Final order entry date]

The end of March, 2023

*Due to the current supply chain situation, we may need to stop taking orders once the current inventory is depleted. We appreciate your understanding.

[Date of The Last Shipping]

The end of June, 2023

[Caution on recommended replacement]

- The new model 23419-802 and current model 13029-802 can work together in the same fleet as long as the robot software is upgraded to the latest version of the Fleet Operations Workspace (FLOW) Core that is scheduled for release in April, 2023 (FLOW Core 3.1.0). The new model 23419-802 will not work with robots that have earlier versions of the software.
- The current model 13029-802 comes with a power supply. For the new model 23419-802, there will be a separate part number for the Mobile I/O Box Power Supply 23419-812. Customers are requested to purchase the Power Supply together with the Mobile I/O Box.
- The recommended replacement product is scheduled to be released in April, 2023.

[Difference from discontinued product]

Recommended replacement Model	Body Color	Dimensions	Wire connection	Mounting Dimensions	Characteristics	Operation ratings	Operation methods
23419-802	--	--	--	--	*	**	*

** : Compatible

* : The change is a little/Almost compatible



-- : Not compatible

- : No corresponding specification

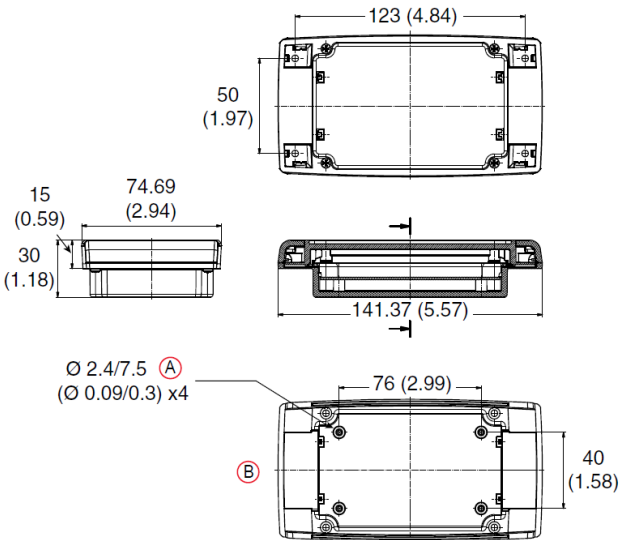
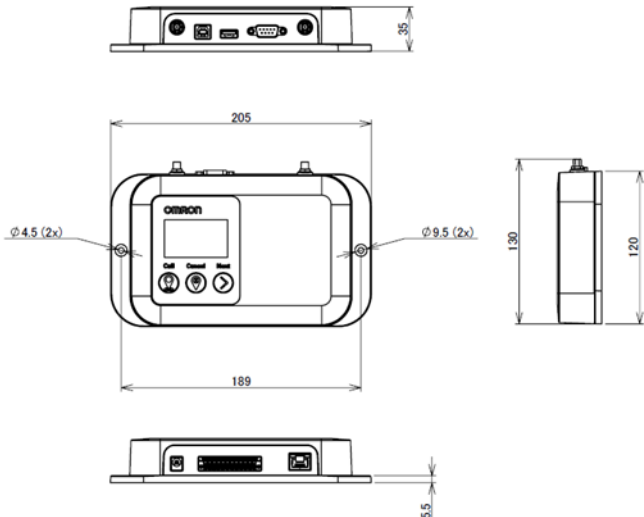
[Product Discontinuation and recommended replacement]

Product discontinuation	Recommended replacement
Model 13029-802	Model 23419-802
	Model 23419-812

[Body color]

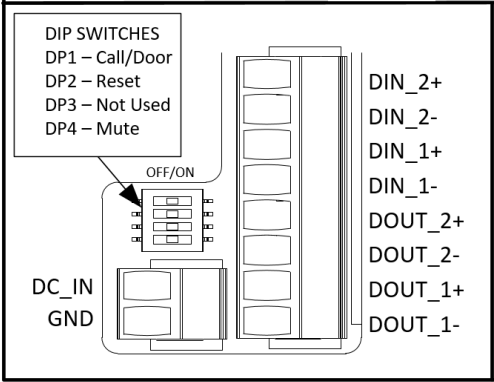
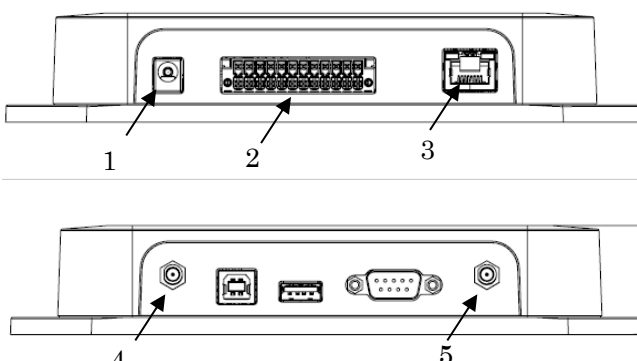
<p align="center">Product discontinuation Model 13029-802</p>	<p align="center">Recommendable replacement Model 23419-802</p>
<p>Call/Door Box White and beige.</p> 	<p>Mobile I/O Box White with gray frame around screen.</p> 

[Dimensions]

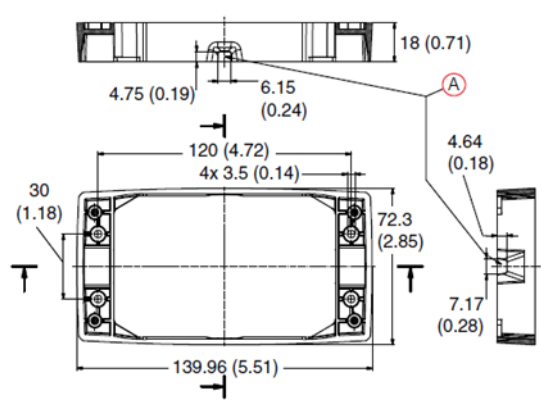
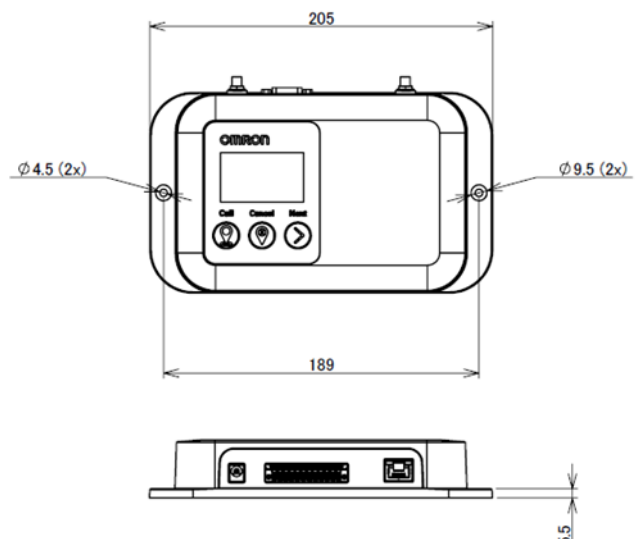
<p align="center">Product discontinuation Model 13029-802</p>	<p align="center">Recommendable replacement Model 23419-802</p>
<p>Call/Door Box 142(W) x 30(H) x 75(D)</p> 	<p>Mobile I/O Box 205 (W) x 35 (H) x 120 (D)</p> 

[Wire connection]

<p align="center">Product discontinuation Model 13029-802</p>	<p align="center">Recommendable replacement Model 23419-802</p>
<p>Call/Door Box Power: Supplied wall-wart power supply with field terminatable plug (provided) (DC_IN, GND). Digital Inputs and Outputs exposed via field terminatable plug.</p>	<p>Mobile I/O Box Power: Supplied wall-wart power supply with barrel jack – center positive (Location 1). Digital Inputs and Outputs exposed via field terminatable plug (Location 2).</p>

<p align="center">Product discontinuation Model 13029-802</p>	<p align="center">Recommendable replacement Model 23419-802</p>
<p>Connect antenna on exposed RP-SMA port on front face of product.</p> <p>Connect Ethernet cable to exposed RJ45 port on rear of product</p> 	<p>Dipole antennas connect to RP-SMA ports on outside of box (Locations 4,5)</p> <p>Connect Ethernet cable to RJ45 port (Location 3).</p> <p>New product does not have DIP switches for configuration. All configuration is done in the software.</p> 


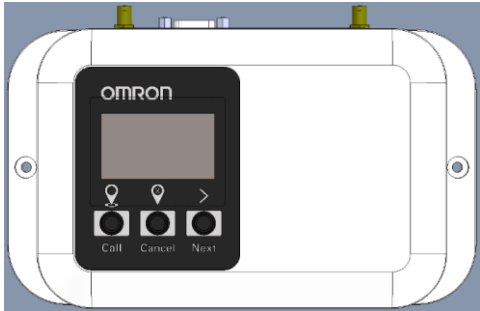
[Mounting dimensions]

<p align="center">Product discontinuation Model 13029-802</p>	<p align="center">Recommendable replacement Model 23419-802</p>
<p>Call/Door Box 120(W) x 30(D) mm Mount to the provided wall frame with four screws.</p> 	<p>Mobile I/O Box 189(W) mm Mount the unit onto wall with two screws.</p> 

[Characteristics]

Item	Product discontinuation Model 13029-802	Recommendable replacement Model 23419-802
Weight	190g	450g
Power supply	12 VDC	12-24VDC
Wireless	IEEE 802.11 a/b/g/n	IEEE 802.11 a/b/g/n/ac/ax
Communication Port	Ethernet	Gb Ethernet
I/O	Two Inputs (contactor inputs) Two Outputs (30 VDC, 2 A max.)	6 Inputs (12 to 24VDC), 2 are contactor inputs 6 Outputs (24VDC, 2A max.)
USB	None	USB-A, USB-B
HMI	LED ring, 1 button, buzzer	LCD display, 3 buttons, buzzer
Antenna	1	2
Protection	IP20	

[Operation methods]

Product discontinuation Model 13029-802	Recommendable replacement Model 23419-802
<p>Call/Door Box User interface is a ring of LED lights.</p> 	<p>Mobile I/O Box User interface is an LCD screen. Please refer to the upcoming User's Guide for instructions.</p> 

Specifications and prices in this product news are as of the issue date and are subject to change without notice. Only main changes in specifications are described in this document. Please be sure to read the relevant catalogs, datasheets, product specifications, instructions, and manuals for precautions and necessary information when using products.