

Product Discontinuation Notices

Programmable Terminals

Issue Date
March 1, 2022

No. 2022013CE

Discontinuation Notice of NS Series Programmable Terminals.

Product Discontinuation

Programmable Terminals

Model NS[]-[][][](B)-V2
Model NSH5-SQ[]10B-V2

Removal Box

Model NSH5-AL001

Interface Units

Model NS-CLK21
Model NS-CA002
Model NS-CA001
Model NS-AL002



Recommended Replacement

Programmable Terminals

Model NA5-[]W[]01[]-V1
No recommended replacement

No recommended replacement

No recommended replacement
No recommended replacement
No recommended replacement
No recommended replacement

[Final order entry date]

The end of April, 2022

[Date of The Last Shipping]

The end of June, 2023

[Scheduled date of maintenance close]

The end of March, 2029

[Caution on recommended replacement]

Class-D grounding work (100 ohms or below) with the protective grounding terminal is mandatory.
Never ground the 24 V side because the internal power supply is not isolated.

[Difference from discontinued product]

Recommended replacement Model	Body Color	Dimensions	Wire connection	Mounting Dimensions	Characteristics	Operation ratings	Operation methods
NA5-[]W[]01[]-V1	--	--	--	--	--	--	--

** : Compatible

* : The change is a little/Almost compatible

-- : Not compatible

- : No corresponding specification

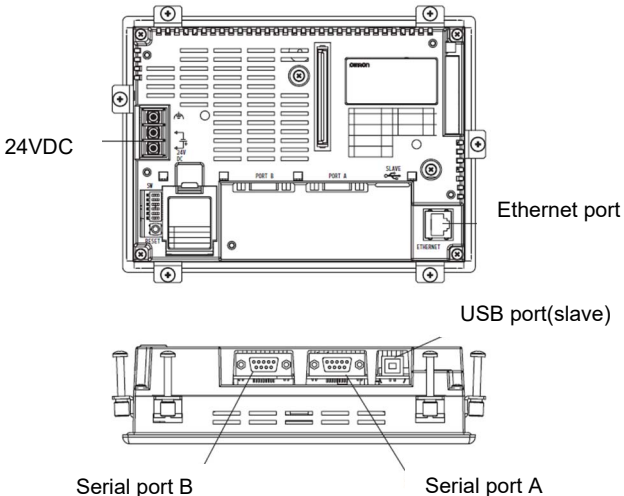
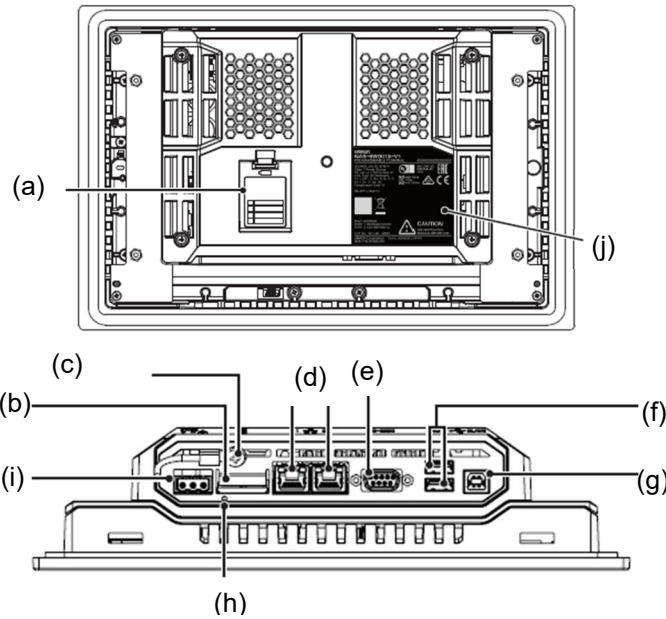
[Product Discontinuation and recommended replacement]

Product discontinuation	Recommended replacement
NS5-TQ10-ECV2	NA5-7W001S-V1
NS5-TQ10B-ECV2	NA5-7W001B-V1
NS5-SQ10-ECV2	NA5-7W001S-V1
NS5-SQ10B-ECV2	NA5-7W001B-V1
NS5-TQ11-V2	NA5-7W001S-V1
NS5-TQ11B-V2	NA5-7W001B-V1
NS5-TQ10-V2	NA5-7W001S-V1
NS5-TQ10B-V2	NA5-7W001B-V1
NS5-SQ11-V2	NA5-7W001S-V1
NS5-SQ11B-V2	NA5-7W001B-V1
NS5-SQ10-V2	NA5-7W001S-V1
NS5-SQ10B-V2	NA5-7W001B-V1
NS8-TV00-ECV3	NA5-9W001S-V1
NS8-TV00-ECV2	NA5-9W001S-V1
NS8-TV00B-ECV3	NA5-9W001B-V1
NS8-TV00B-ECV2	NA5-9W001B-V1
NS8-TV01-V2	NA5-9W001S-V1
NS8-TV01B-V2	NA5-9W001B-V1
NS8-TV00-V2	NA5-9W001S-V1
NS8-TV00B-V2	NA5-9W001B-V1
NS10-TV00-ECV3	NA5-12W101S-V1
NS10-TV00-ECV2	NA5-12W101S-V1
NS10-TV00B-ECV3	NA5-12W101B-V1
NS10-TV00B-ECV2	NA5-12W101B-V1
NS10-TV01-V2	NA5-12W101S-V1
NS10-TV01B-V2	NA5-12W101B-V1
NS10-TV00-V2	NA5-12W101S-V1
NS10-TV00B-V2	NA5-12W101B-V1
NS12-TS00-ECV3	NA5-12W101S-V1
NS12-TS00-ECV2	NA5-12W101S-V1
NS12-TS00B-ECV3	NA5-12W101B-V1
NS12-TS00B-ECV2	NA5-12W101B-V1
NS12-TS01-V2	NA5-12W101S-V1
NS12-TS01B-V2	NA5-12W101B-V1
NS12-TS00-V2	NA5-12W101S-V1
NS12-TS00B-V2	NA5-12W101B-V1
NS15-TX01S-V2	NA5-15W101S-V1
NS15-TX01B-V2	NA5-15W101B-V1
NSH5-SQR10B-V2	No recommended replacement
NSH5-SQG10B-V2	No recommended replacement
NSH5-AL001	No recommended replacement
NS-CLK21	No recommended replacement
NS-CA002	No recommended replacement
NS-CA001	No recommended replacement
NS-AL002	No recommended replacement

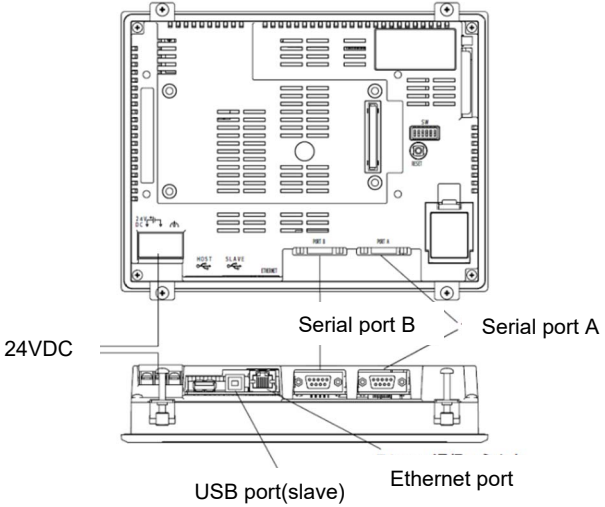
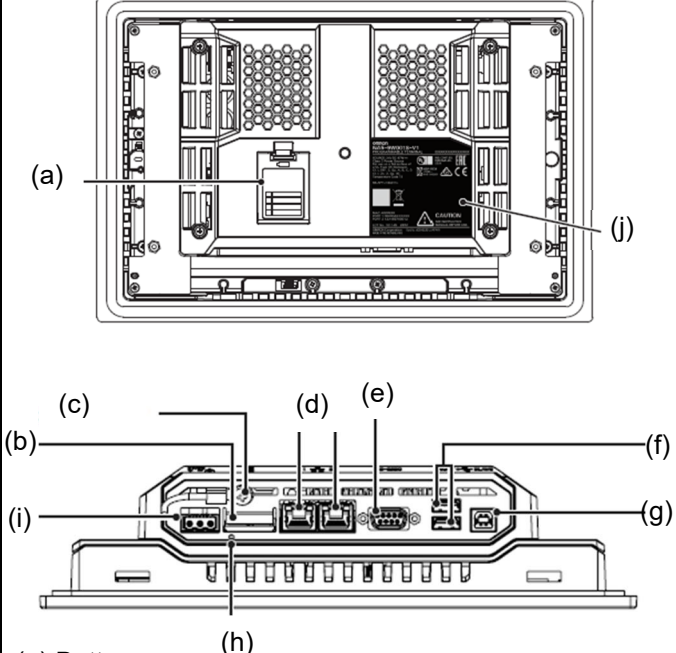
[Body color]

Product discontinuation Model NS□-□□□(B)-V2/ECV2/ECV3 Model NS15-TX01S/B-V2	Recommendable replacement Model NA5-□W□□□□-V1
NS□-□□□-V2/ECV2/ECV3: Ivory NS15-TX01S-V2: Silver NS□-□□□B-V2/ECV2/ECV3, NS15-TX01B-V2: Black	NA5-□W□□□□S-V1: Silver NA5-□W□□□□B-V1: Black

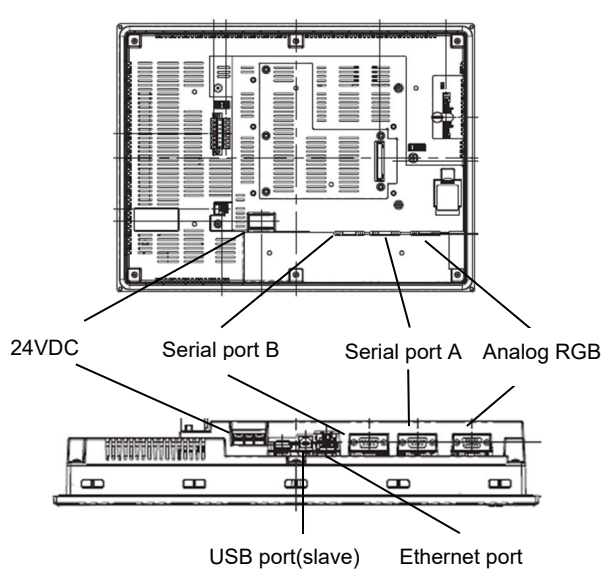
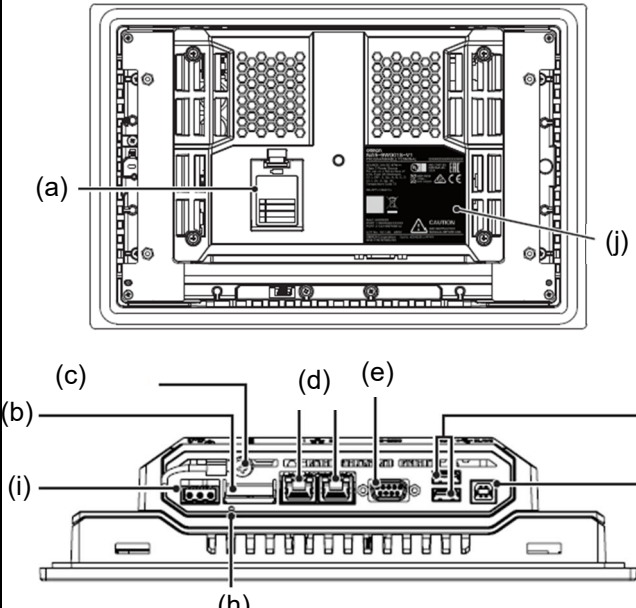
[Wire connection]

Product discontinuation Model NS5-□□□(B)-V2/ECV2	Recommendable replacement Model NA5-7W001S/B-V1
 <p>24VDC</p> <p>Ethernet port</p> <p>USB port(slave)</p> <p>Serial port B</p> <p>Serial port A</p>	 <p>(a)</p> <p>(b)</p> <p>(c)</p> <p>(d)</p> <p>(e)</p> <p>(f)</p> <p>(g)</p> <p>(h)</p> <p>(i)</p> <p>(j)</p> <p>(a) Battery cover (b) SD card slot (c) Protective grounding terminal (d) Ethernet port (e) Serial port (for future expansion) (f) USB port (host) (g) USB port (slave) (h) Reset switch (i) 24 VDC (j) Identification label</p>

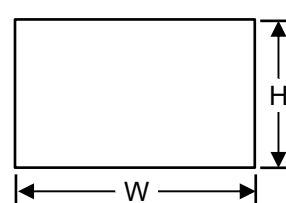
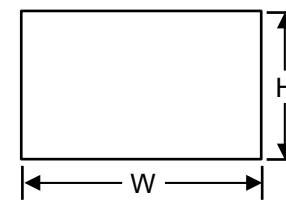
[Wire connection]

<p>Product discontinuation Model NS8/10/12-□□□□(B)-V2/ECV2/ECV3</p>	<p>Recommendable replacement Model NA5-9W001S/B-V1 Model NA5-12W101S/B-V1</p>
 <p>24VDC</p> <p>Serial port B</p> <p>Serial port A</p> <p>USB port(slave)</p> <p>Ethernet port</p>	 <p>(a)</p> <p>(j)</p> <p>(c)</p> <p>(d)</p> <p>(e)</p> <p>(b)</p> <p>(f)</p> <p>(i)</p> <p>(g)</p> <p>(h)</p> <p>(a) Battery cover (b) SD card slot (c) Protective grounding terminal (d) Ethernet port (e) Serial port (for future expansion) (f) USB port (host) (g) USB port (slave) (h) Reset switch (i) 24 VDC (j) Identification label</p>

[Wire connection]

Product discontinuation Model NS15-TX01S/B-V2	Recommendable replacement Model NA5-15W101S/B-V1
	
	<p>(a) Battery cover (b) SD card slot (c) Protective grounding terminal (d) Ethernet port (e) Serial port (for future expansion) (f) USB port (host) (g) USB port (slave) (h) Reset switch (i) 24 VDC (j) Identification label</p>

[Mounting dimensions]

Product discontinuation Model NS5/8/10/12-□□□(B)-V2/ECV2/ECV3 Model NS15-TX01S/B-V2	Recommendable replacement Model NA5-□W□□□□-V1																																	
<p>Panel Cutout</p> 	<p>Panel Cutout</p> 																																	
<table border="1" style="width: 100%; border-collapse: collapse;"> <thead> <tr> <th>Model</th> <th>W (mm)</th> <th>H (mm)</th> </tr> </thead> <tbody> <tr> <td>NS5</td> <td>184.0 (+0.5/-0)</td> <td>131.0 (+0.5/-0)</td> </tr> <tr> <td>NS8</td> <td>220.5 (+0.5/-0)</td> <td>165.5 (+0.5/-0)</td> </tr> <tr> <td>NS10</td> <td>302.0 (+1/-0)</td> <td>228.0 (+1/-0)</td> </tr> <tr> <td>NS12</td> <td>302.0 (+1/-0)</td> <td>228.0 (+1/-0)</td> </tr> <tr> <td>NS15</td> <td>383.5(+1/-0)</td> <td>282.5(+1/-0)</td> </tr> </tbody> </table> <p>Panel thickness 1.6-4.8 mm</p>	Model	W (mm)	H (mm)	NS5	184.0 (+0.5/-0)	131.0 (+0.5/-0)	NS8	220.5 (+0.5/-0)	165.5 (+0.5/-0)	NS10	302.0 (+1/-0)	228.0 (+1/-0)	NS12	302.0 (+1/-0)	228.0 (+1/-0)	NS15	383.5(+1/-0)	282.5(+1/-0)	<table border="1" style="width: 100%; border-collapse: collapse;"> <thead> <tr> <th>Model</th> <th>W (mm)</th> <th>H (mm)</th> </tr> </thead> <tbody> <tr> <td>NA5-7W</td> <td>197.0 (+1/-0)</td> <td>141.0 (+1/-0)</td> </tr> <tr> <td>NS5-9W</td> <td>261.0 (+1/-0)</td> <td>166.0 (+1/-0)</td> </tr> <tr> <td>NA5-12W</td> <td>310.0 (+1/-0)</td> <td>221.0 (+1/-0)</td> </tr> <tr> <td>NA5-15W</td> <td>392.0(+1/-0)</td> <td>268.0(+1/-0)</td> </tr> </tbody> </table> <p>Panel thickness 1.6-6.0 mm</p>	Model	W (mm)	H (mm)	NA5-7W	197.0 (+1/-0)	141.0 (+1/-0)	NS5-9W	261.0 (+1/-0)	166.0 (+1/-0)	NA5-12W	310.0 (+1/-0)	221.0 (+1/-0)	NA5-15W	392.0(+1/-0)	268.0(+1/-0)
Model	W (mm)	H (mm)																																
NS5	184.0 (+0.5/-0)	131.0 (+0.5/-0)																																
NS8	220.5 (+0.5/-0)	165.5 (+0.5/-0)																																
NS10	302.0 (+1/-0)	228.0 (+1/-0)																																
NS12	302.0 (+1/-0)	228.0 (+1/-0)																																
NS15	383.5(+1/-0)	282.5(+1/-0)																																
Model	W (mm)	H (mm)																																
NA5-7W	197.0 (+1/-0)	141.0 (+1/-0)																																
NS5-9W	261.0 (+1/-0)	166.0 (+1/-0)																																
NA5-12W	310.0 (+1/-0)	221.0 (+1/-0)																																
NA5-15W	392.0(+1/-0)	268.0(+1/-0)																																

[Dimensions]

Product discontinuation Model NS5-□□□(B)-V2/ECV2	Recommendable replacement Model NA5-□W□□□□-V1
NS5-□□□(B)-V2 195(W) × 142(H) × 54(D) (mm)	NA5-7W□□□□-V1 236(W) × 165(H) × 69(D) (mm)
NS8-□□□(B)-V2 232(W) × 177(H) × 49(D) (mm)	NA5-9W□□□□-V1 290(W) × 190(H) × 69(D) (mm)
NS10/12-□□□(B)-V2 315(W) × 241(H) × 48.5(D) (mm)	NA5-12W□□□□-V1 340(W) × 244(H) × 69(D) (mm)
NS15-TX01S/B-V2 405(W) × 304(H) × 75.8(D) (mm)	NA5-15W□□□□-V1 420(W) × 291(H) × 69(D) (mm)

[Characteristics]

Item	Product discontinuation Model NS5/8/10/12-□□□(B)-V2/ECV2/ECV3 Model NS15-TX01S/B-V2	Recommendable replacement Model NA5-□W□□□□-V1
Power consumption	NS5 : ≤15 W NS8/10/12 : ≤25 W NS15 : ≤45 W	NA5-7W : ≤19 W NA5-9W : ≤23 W NA5-12W : ≤25 W NA5-15W : ≤29 W
Display	Color TFT LCD	Color TFT LCD
Resolution	NS5 : 320 × 240 NS8/10 : 640 × 480 NS12 : 800 × 600 NS15 : 1024 × 768	NA5-7/9W : 800 × 480 NA5-12/15W : 1280 × 800
Display colors	256	16,770,000
Support tool	CX-Designer	Sysmac Studio
External I/F	PORT A/B (Serial), Ethernet port, USB host port, USB slave port, Memory card I/F, Expansion I/F, Analog RGB for NS15	Ethernet ports (2 ports), USB host ports (2 ports), USB slave port, Serial port for future, SD memory card slot
External storage device	ATA-Compact Flash	SD memory card, USB memory
Backlight life	NS5-MQ-V2 : 50,000 h or longer NS5-SQ/TQ-V2 : 75,000 h or longer NS5-SQ-V1 : 50,000 h or longer NS8-TV-V2 : 50,000 h or longer NS8-TV-V1 : 40,000 h or longer NS15/12/10 : 50,000 h or longer	50,000 hours or longer
Ambient temperature	0 to 50°C	0 to 50°C
Communication protocol	Host Link, NT Link (1:1, 1:N), Memory Link, Ethernet, CIP Ethernet, Controller Link	Ethernet, CIP Ethernet, FINS Ethernet

Specifications and prices in this product news are as of the issue date and are subject to change without notice. Only main changes in specifications are described in this document. Please be sure to read the relevant catalogs, datasheets, product specifications, instructions, and manuals for precautions and necessary information when using products.