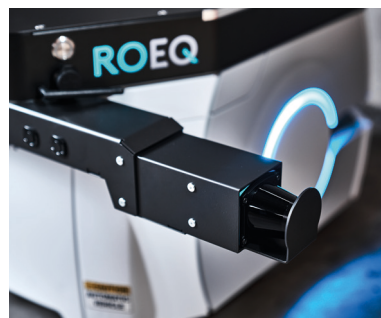


ROEQ TMC130 Cart Solution for OMRON LD-90x



The ROEQ TMC130 top module is designed for the OMRON LD-90x to transport and drop off cargo up to 130 kg on the ROEQ Cart130. With its small footprint, this cart solution is ideal to use where space is restricted. Mounting holes on the cart make it easy to customize for crates, shelving etc. to suit your needs. All ROEQ top modules come with ROEQ Assist software for a faster and consistent set up.



Features

- Pick up and drop off in free space
- Can dock from both ends
- Multiple carts can be used in the same set up – allowing for transportation of various kinds of goods
- Works with OMRON panel
- Easy access to E-stop
- Mounting holes on top module for e.g. light tower. I/O Kit can be purchased
- Side laser kit is available for additional navigation safety
- The ROEQ Cart has 6 wheels for easy maneuverability and reliable performance
- 1 ESD wheel as standard
- Mounting holes on the cart for attaching 3rd party equipment e.g. shelving
- ROEQ Assist software for easy and consistent set up

Specifications

Robot compatibility:
OMRON LD-90x

Payload:
TMC130 with Cart130 up to 130 kg
(156 kg including cart)

Size (L x W x H):
Top module: 834 x 475 x 75mm /
32.8x18.7x 3"
Cart: 750x750x510 mm /
29.5x29.5x20.1"

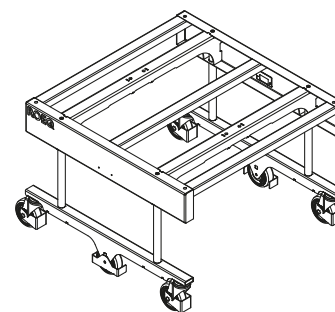
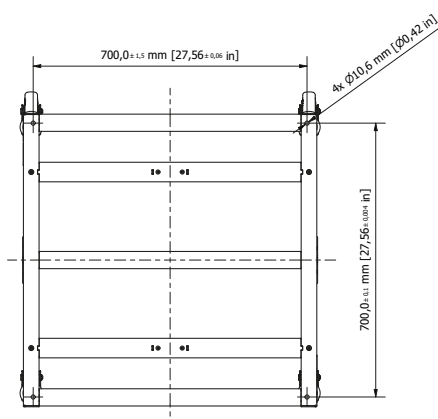
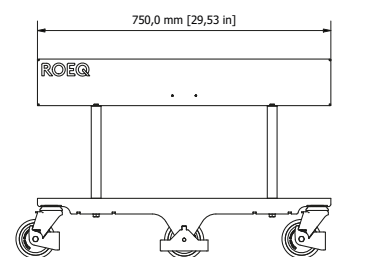
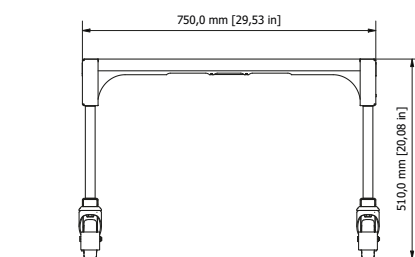
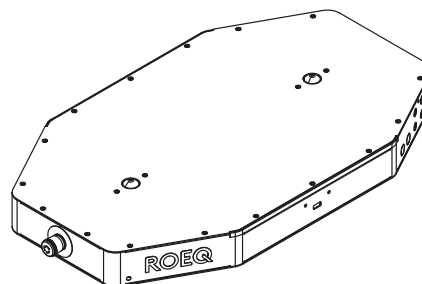
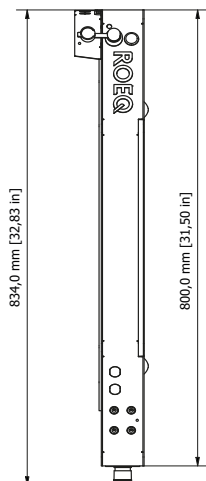
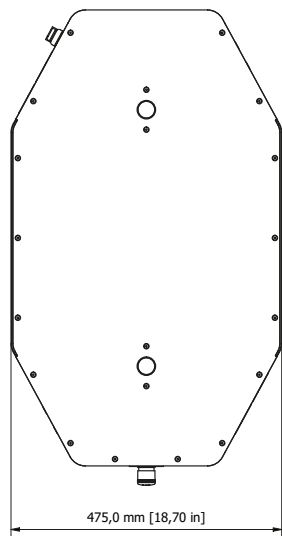
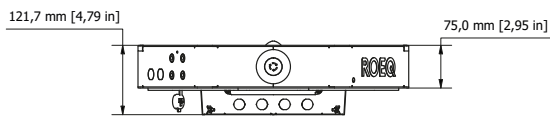
ROEQ product compatibility:
Cart130





Weight:
Top module: 28 kg
Cart: 26 kg

Use with the
ROEQ Cart130



ROEQ
ROBOTIC EQUIPMENT



Product no.	Product name	Description	
410s1000	TMC130	Cart top module for OMRON LD-90x. Payload up to 130 kg with Cart130.	
410s9000	Cart130	Cart for ROEQ TMC130 top module, designed for OMRON LD-90x. Payload: Up to 130 kg.	
400s8000	I/O Kit LD-series	Input/output to the OMRON LD-series robots for equipment like light tower, blue spot, extra E-stop etc.	
410s4000	Side Laser Kit LD-90x	Kit for mounting side laser scanners with the OMRON LD-90x. Includes 2 SICK scanners and brackets for mounting. Works with TMC130 top module and Cart130.	

Visit roeq.dk for more information or to see films of products in action.