

# Multi-channel Power Controller G3ZA

CSM\_G3ZA\_DS\_E\_6\_3



## Optimum Cycle Control for High-precision Control with Low Noise

- Smaller than a Normal Power Controller.
- Enables low-noise power control in combination with zero-cross SSRs. (See note.)
- One Controller can control up to 8 SSRs.
- RS-485 communications to set manipulated variables and heater burnout detection. The Smart FB Library for the G3ZA can also be used.
- CE Marking

### Main Upgraded Functions

- Soft-start function added for lamp heaters.
- Three-phase optimum cycle control added for three-phase heaters.
- Combining with special CT for 150-A current detection.

**Note:** The G3ZA must be used in combination with an SSR without the zero cross function when the soft-start function is used.



Refer to *Safety Precautions* on page 9.

## Features

### Comparison between the G3ZA and Normal Power Controllers

Item	Normal Power Controllers	G3ZA
<b>Connections</b>	<p><b>Power Controllers Controlled Using Current Output of 4 to 20 mA</b></p>	<p><b>Control Using Communications from a Host Device</b></p> <ul style="list-style-type: none"> <li>• Direct connection is possible using an EJ1 Modular Temperature Controller.</li> </ul>
<b>Control method</b>	<p><b>Phase Control</b></p> <ul style="list-style-type: none"> <li>• Response is fast and high-precision temperature control is possible.</li> <li>• Harmonics and noise are problems.</li> </ul>	<p><b>Optimum Cycle Control (High-precision Zero Cross Control)</b></p> <ul style="list-style-type: none"> <li>• Outputs are turned ON and OFF each half cycle.</li> <li>• Zero-cross control is performed.</li> <li>• Noise is suppressed while achieving high-speed response with high-precision temperature control.</li> </ul>

# Model Number Structure

## Model Number Legend

G3ZA- □ □ □ □ □ - □ - □  
 1 2 3 4 5 6 7

No.	Meaning	Code	Specifications
1	No. of control points	4	4 channels
		8	8 channels
2	Control method	None	Optimum cycle control
3	Heater burnout detection	H	Yes
		A	None

No.	Meaning	Code	Specifications
4	Load power supply voltage	2	100 to 240 VAC
		4	400 to 480 VAC
5	Communications specifications	03	RS-485
6	Communications protocol	FLK	CompoWay/F
7	International standards	UTU	Approved by UL, CSA.

## Ordering Information

### List of Models

Name	Number of control channels	Heater burnout detection	Load power supply voltage	Model
Multi-channel Power Controller	4	Supported	100 to 240 VAC	G3ZA-4H203-FLK-UTU
			400 to 480 VAC	G3ZA-4H403-FLK-UTU
	8	Not supported	100 to 240 VAC	G3ZA-8A203-FLK-UTU
			400 to 480 VAC	G3ZA-8A403-FLK-UTU

**Note:** When using the heater burnout detection function, CTs must be ordered separately.

### Accessories (Order Separately)

Name	Hole diameter	Detection current	Model
Current Transformer (CT)	5.8 dia.	0 to 50 A	E54-CT1
	12.0 dia.	0 to 50 A	E54-CT3
	30.0 dia.	0 to 150 A	G3ZA-CT-150L

Name	Model
DIN Track	PFP-100N
	PFP-50N
End Plates (stoppers)	PFP-M

Be sure to read the precautions for correct use and other precautions in the following user's manual before using the Power Controller.  
 G3ZA Multi-channel Power Controller User's Manual (Cat. No. Z200)

# Specifications

## ■ Ratings

Item	Load power supply voltage range	100 to 240 VAC	400 to 480 VAC
Power supply voltage		100 to 240 VAC (50/60 Hz)	
Operating voltage range		85 to 264 VAC	
Power consumption		16 VA max.	
Load power supply voltage		100 to 240 VAC	400 to 480 VAC
Load power supply voltage range		75 to 264 VAC	340 to 528 VAC
Manipulated variable input		0.0% to 100.0% (via RS-485 communications)	
Current transformer input (See note 1.)		Single-phase AC, 0 to 50 A (primary current of CT) Single-phase AC, 0 to 150 A (primary current of CT)	
Trigger output		One voltage output for each channel, 12 VDC $\pm$ 15%, Max. load current: 21 mA (with built-in short-circuit protection circuit)	
Alarm output		NPN open collector, one output Max. applicable voltage: 30 VDC, Max. load current: 50 mA Residual voltage: 1.5 V max., Leakage current: 0.4 mA max.	
Indications		LED indicators	
Control method		Optimum cycle control Soft-start optimum cycle control (See note 2.) Three-phase optimum cycle control	
Ambient operating temperature		-10 to 55°C (with no icing or condensation)	
Ambient operating humidity		25% to 85%	
Storage temperature		-25 to 65°C (with no icing or condensation)	
Elevation		2,000 m max.	
Accessories		Instruction Sheet	

Note: 1. CT inputs are provided only on Models with heater burnout detection.

2. Use an SSR without the zero-cross function (G3PA-□BL-VD) for soft-start optimum cycle control. (Refer to G3PA for details.)

## ■ Performance

Current indication accuracy	Current Range 0 to 50 A, $\pm$ 3 A 0 to 150 A, $\pm$ 9 A 0 to 100%, $\pm$ 6% (See note.) (for models with heater burnout detection)
Insulation resistance	100 M $\Omega$ min. (at 500 VDC) between primary and secondary
Dielectric strength	2,000 VAC, 50/60 Hz for 1 min between primary and secondary
Vibration resistance	Vibration frequency: 10 to 55 Hz, acceleration: 50 m/s <sup>2</sup> in X, Y, and Z directions
Shock resistance	300 m/s <sup>2</sup> three times each in six directions along three axes
Weight	Approx. 200 g (including terminal cover)
Degree of protection	IP20
Memory protection	EEPROM (non-volatile memory) (number of writes: 100,000)
Installation environment	Overvoltage category II, pollution degree 2 (according to EN61010-2-201)
Approved standards	UL508 (Listing), CSA22.2 No. 14 EN61010-2-201

Note: When measured with percentage selected for the current monitor parameter and the maximum current measurable with the CT at 100%.

## ■ Communications Specifications

Transmission line connections	Multipoint
Communications method	RS-485
Max. transmission distance	500 m
No. of nodes	31 (via multidrop connections)
Synchronization method	Stop-start synchronization
Communications baud rate	9.6, 19.2, 38.4 or 57.6 kbps, Default: 9.6 kbps
Transmission code	ASCII
Communications data length	7 or 8 bits, Default: 7
Communications stop bits	1 or 2 bits, Default: 2
Communications parity	Vertical parity: None, even, or odd, Default: Even
Flow control	None

## ■ Current Transformer Specifications (Order Separately)

Item	Specification		
Model number	E54-CT1	E54-CT3	G3ZA-CT150L
Max. continuous heater current	50 A	120 A (See note.)	150 A
Detection current with G3ZA connected	50 A		150 A
Dielectric strength	1,000 VAC for 1 min		2,000 VAC for 1 min
Vibration resistance	98 m/s <sup>2</sup> , 50 Hz		
Weight	Approx. 11.5 g	Approx. 50 g	Approx. 130 g
Accessories	None	Connection terminals (2) Plugs (2)	None

Note: The maximum continuous current is 50 A for the G3ZA in combination with the E54-CT3.

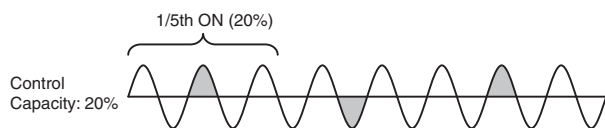
## Applicable SSR and Control Methods

The G3ZA can be used for a variety of applications by selecting the SSR drive. For example, inrush current can be reduced at startup by selecting soft-start optimum cycle control if a single-phase halogen heater is used.

SSR	Control method	CT (4-channel models only)	Example of supported heater
Single-phase heater SSR with zero-cross function	Optimum cycle control	0 to 50 A or 0 to 150 A: 4 Units	Single-phase heater
Single-phase heater SSR without zero-cross function	Soft-start optimum cycle control	0 to 50 A or 0 to 150 A: 4 Units	Single-phase halogen heater
Three-phase heater SSR with zero-cross function	Three-phase optimum cycle control	0 to 50 A or 0 to 150 A: up to 2 Units	Three-phase heater

## Optimum Cycle Control

- Optimum cycle control is performed by driving SSRs according to load power detection and trigger signals. (Zero-cross SSRs are used.)
- Noise is suppressed while ensure high-speed response by turning outputs ON and OFF each half cycle to achieve high-precision temperature control.



**Note:** Refer to *Connection Configuration* on page 6 for connecting to an SSR.

## Soft-start Optimum Cycle Control

- Soft-start and optimum cycle control enables control of outputs with limited inrush current even for loads with characteristics like halogen heaters.
- Use a single-phase heater SSR (without the zero-cross function) for soft-start optimum cycle control. Refer to G3PA for details on SSRs without the zero-cross function.
- Set the Soft-start Up/Down Time to control output.
- Current is not detected during Soft-start. The current value (heater ON current value, heater OFF current value, and effective current value) will be 0 A, and the current error alarm (heater burnout detection, SSR short-circuit detection, and heater overcurrent detection) will always turn OFF.

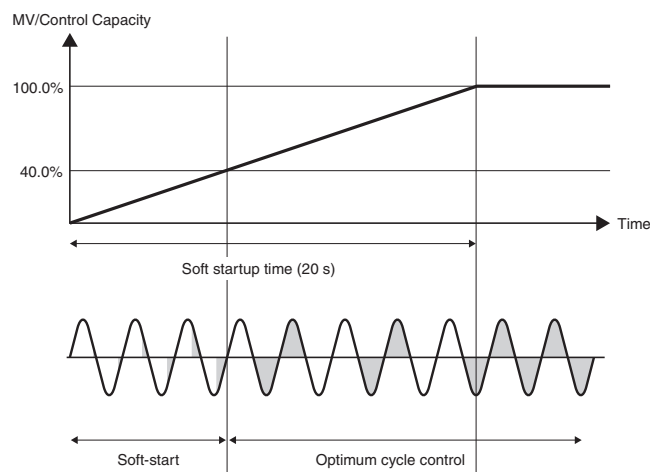
## Setting the Control Switching MV Threshold

The Control Switching MV Threshold function is enabled when soft-start optimum cycle control is used. Setting the Control Switching MV Threshold enables switching to soft-start control when the current value is below the set value, and switching to optimum cycle control when the current value is above the set value. The default setting is 20.0%.

Variable type	Parameter	Setting range	Default
85/C5	Ch1 to Ch8 Control Switching MV Threshold	0.0% to 100.0%	20.0

Example: For channel 1, soft-start optimum cycle control is performed under the following conditions: control switching MV: 40.0%, MV: 100.0%, soft startup time: 20 s.

- Ch 1 Control Switching MV Threshold is set to 40.0% and Ch1 MV is set to 100.0% by writing to the variable area.
- Ch1 Soft Startup Time remains at the default. Setting is not required.
- Once the Control Switching MV Threshold is written, the changes are saved and become enabled the next time the power is turned ON.

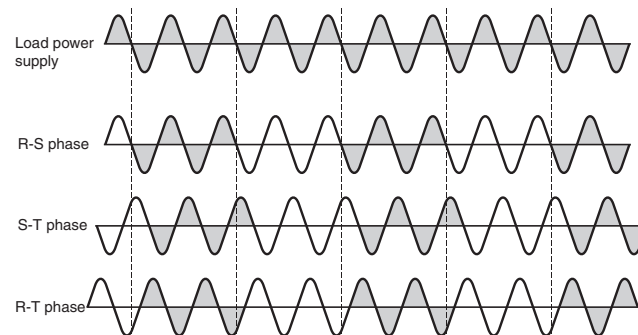


## Three-phase Optimum Cycle Control

- Three-phase optimum cycle control is a control method that turns the output ON and OFF every two cycles.
- Turning the output ON and OFF every two cycles enables optimum cycle control for three-phase heaters.
- Use a three-phase heater SSR with a zero-cross function for three-phase optimum cycle control.

**Note:** Refer to page 6 for details on connecting to three-phase heaters.

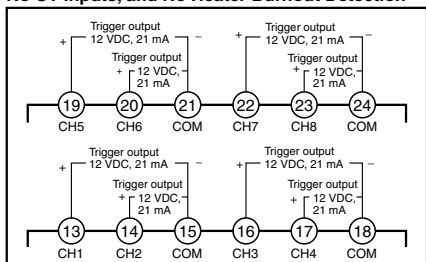
The following figure shows the current waveform of each phase for a Control Capacity of 50% when a three-phase heater SSR is connected.



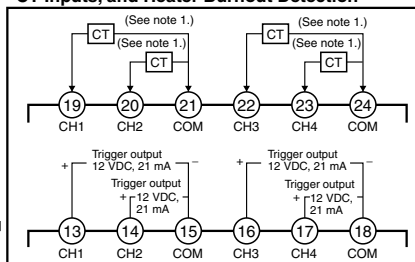
# Connections

## Terminal Arrangement

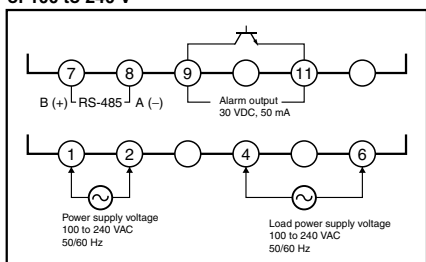
**Models with 8 Channels (Control Points), No CT Inputs, and No Heater Burnout Detection**



**Models with 4 Channels (Control Points), CT Inputs, and Heater Burnout Detection**

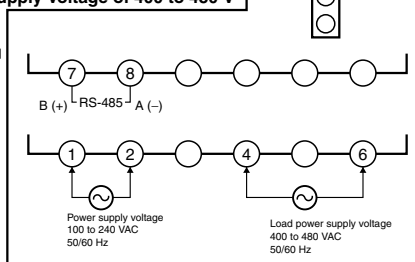


**Models with Load Power Supply Voltage of 100 to 240 V**

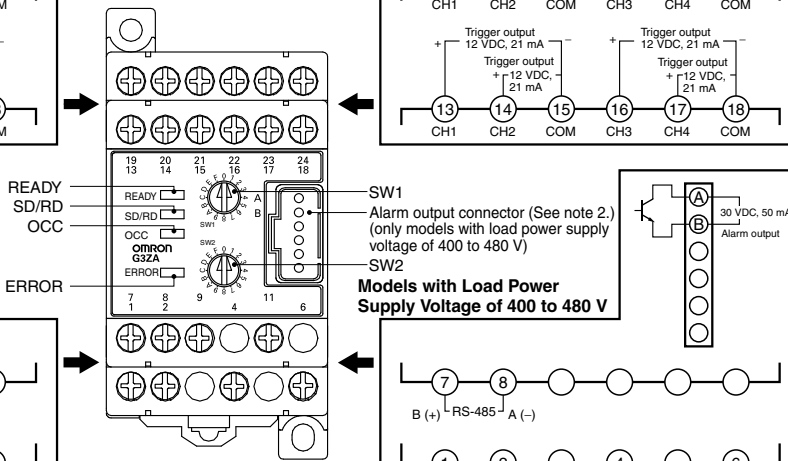


Note: Connect the power supply (100 to 240 VAC) for the G3ZA across terminals 1 and 2 and the load power supply for the SSR loads across terminals 4 and 6.

**Models with Load Power Supply Voltage of 400 to 480 V**



Note: Connect the power supply (100 to 240 VAC) for the G3ZA across terminals 1 and 2 and the load power supply for the SSR loads across terminals 4 and 6.



- Note: 1.** The following CTs can be used (sold separately):  
 0 to 50 A: E54-CT1 and E54-CT3  
 0 to 150 A: G3ZA-CT150L
- 2.** Use C-Grid SL connectors from Molex Inc.



C-Grid SL Housing  
 Model: 50-57-9406 (70066-0180)

	Part Number	Packaging	Wire size
<b>Housing</b>	50-57-9406		-
<b>Crimp Terminal</b>	16-02-0069	Reel	AWG#24 to 30
	16-02-0086	Reel	AWG#22 to 24
	16-02-0096	Bag	AWG#24 to 30
	16-02-0102	Bag	AWG#22 to 24
<b>Hand Crimp Tool</b>	63811-8800		AWG#24 to 30
	63811-8700		AWG#22 to 24

## Operation Indicators

Operation indicator	Meaning
<b>READY (Green)</b>	Lit while power is being supplied.
<b>SD/RD (Orange)</b>	Lit while communicating with the host.
<b>OCC (Orange)</b>	Corresponds to the RUN and STOP operating commands. (Lit during operation.)
<b>ERROR (Red)</b>	Lights or flashes when an error is detected.

## Setting Switches

- Always turn OFF the power supply before setting the switches. The switch settings are read only when the power supply is turned ON.
- Use a flat-blade screwdriver to set the switches and be sure not to leave a switch set between two settings.



## Communications Unit Number

Set a communications unit number on SW1 so that the host system can identify the Controller.

SW1	0	1	2	3	4	5	6	7	8	9	A	B	C	D	E	F
<b>Unit No.</b>	00	01	02	03	04	05	06	07	08	09	10	11	12	13	14	15

▲  
Default

**Note:** A unique unit number must be set for each node (Controller) on the same communications line. Do not set the same unit number for more than one node.  
 If 17 or more Units must be connected, refer to the G3ZA Multi-channel Power Controller User's Manual (Cat. No. Z200).

## Communications Baud Rate

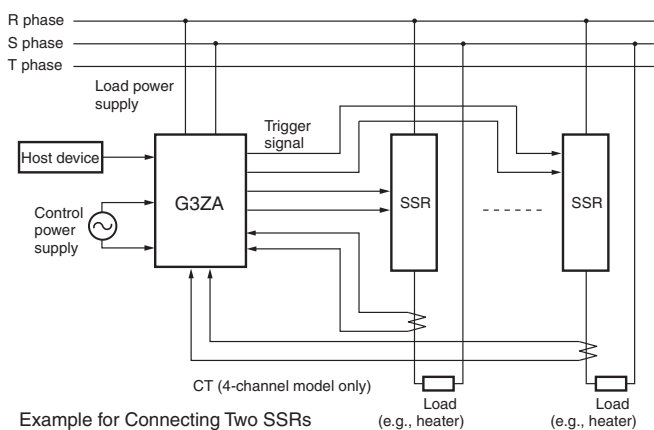
Set the baud rate for communicating with the host system on SW2.

SW2	0	1	2	3	4 to F
<b>Baud rate</b>	9.6	19.2	38.4	57.6	Do not set.

▲  
Default

## ■ Connection Configuration

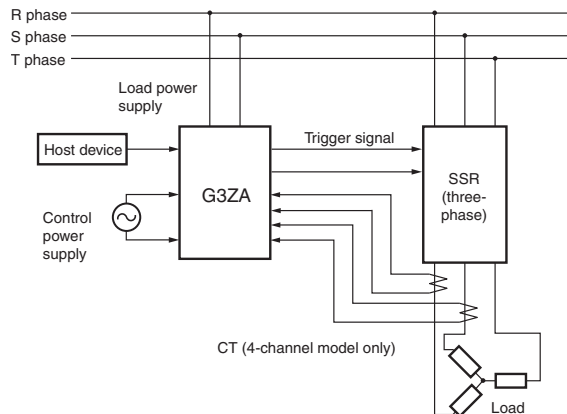
### Single-phase SSR



Example for Connecting Two SSRs

**Note:** Connect a power supply with the same phase as the SSRs to the load power supply terminals on the G3ZA.

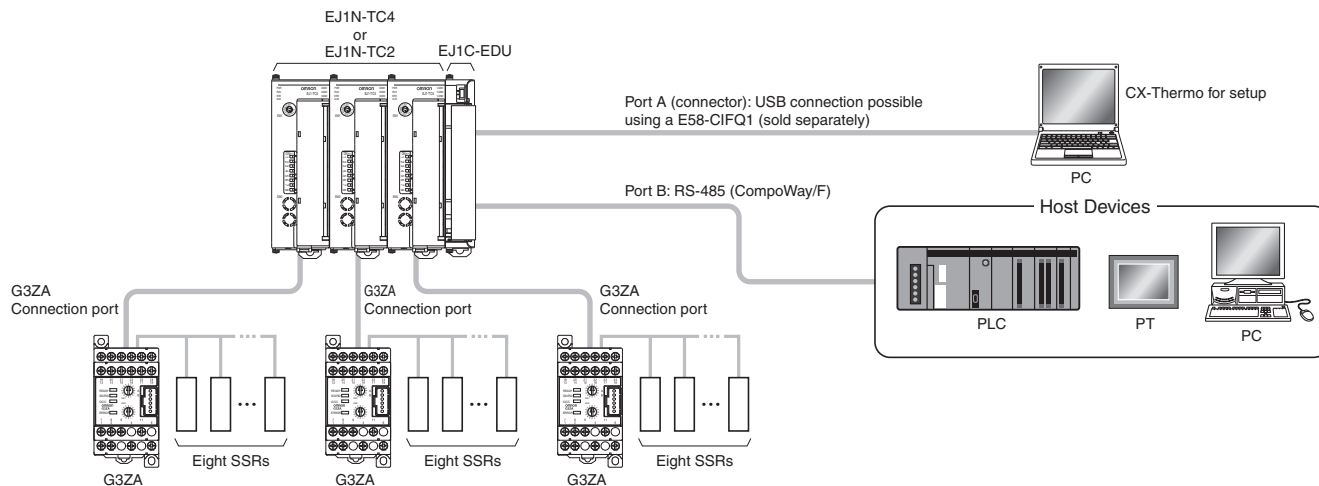
### Three-phase SSR



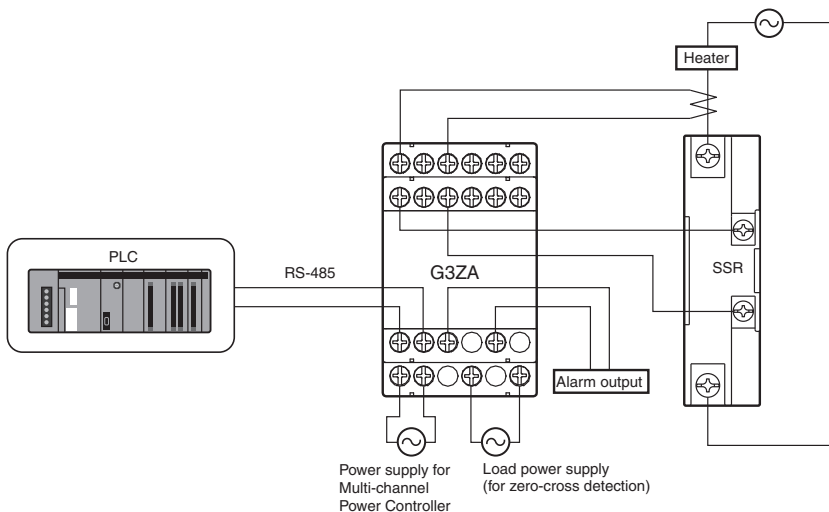
**Note:** Connect to one of the three phases on the load power supply input terminals of the G3ZA.

## ■ Host Device Connection Example

### Example of Connection to EJ1 Modular Temperature Controller



### Example of Connection to PLC

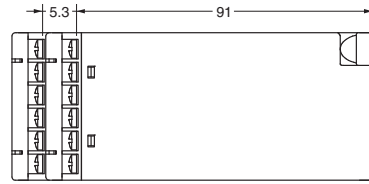
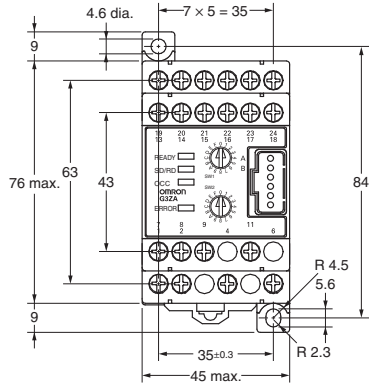
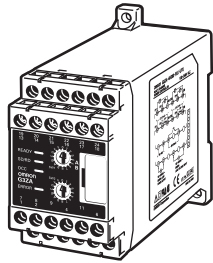


# Dimensions

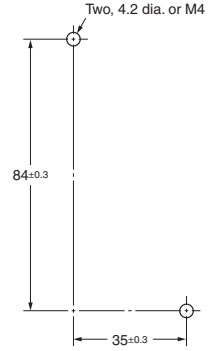
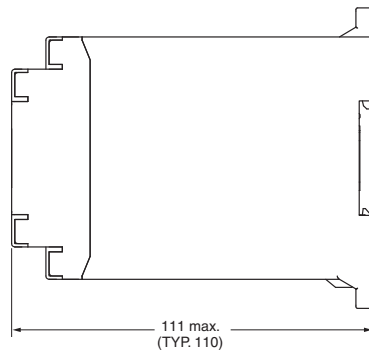
Note: All units are in millimeters unless otherwise indicated.

## Multi-channel Power Controllers

- G3ZA-4H203-FLK-UTU
- G3ZA-4H403-FLK-UTU
- G3ZA-8A203-FLK-UTU
- G3ZA-8A403-FLK-UTU



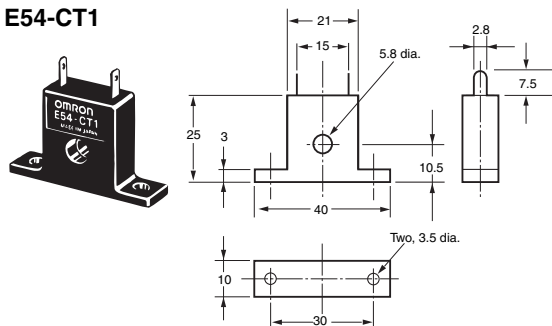
Mounting Hole Dimensions  
(For Direct Mounting)



■ Accessories (Order Separately)

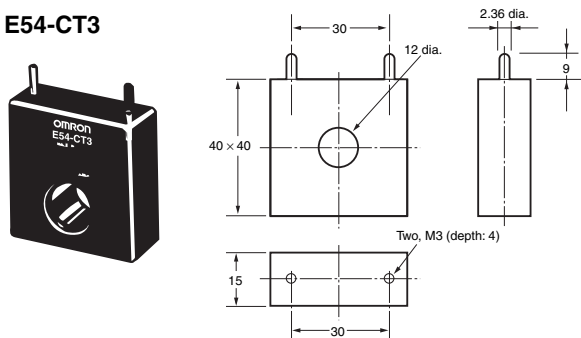
Current Transformer (CT)

E54-CT1



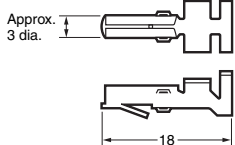
Current Transformer (CT)

E54-CT3

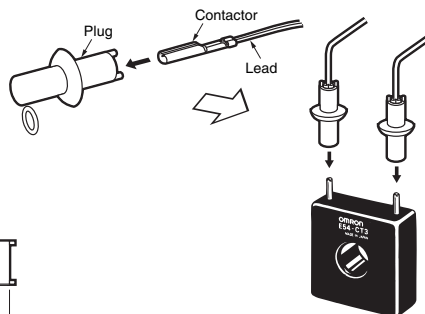
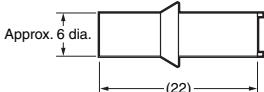


E54-CT3 Accessories

• Contactors

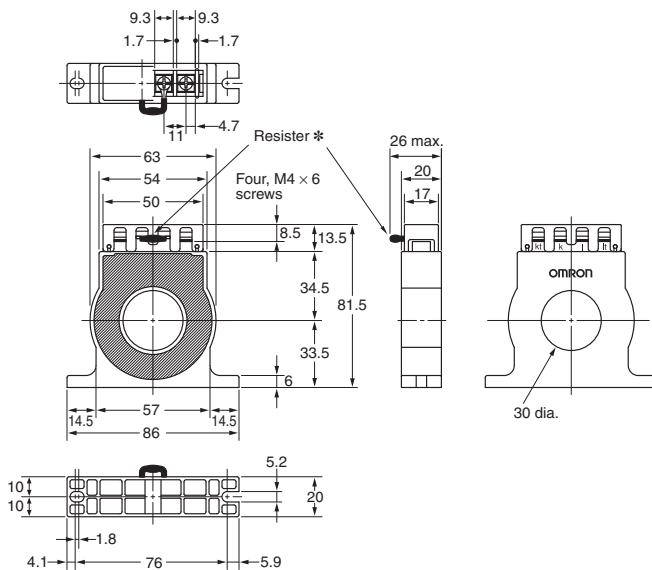


• Plugs

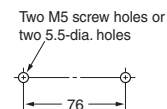


Current Transformer (CT)

G3ZA-CT150L



Mounting Hole Dimensions



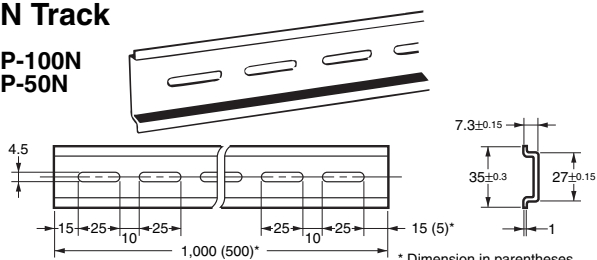
Note: The G3ZA-CT150L is for use only in combination with the G3ZA (Ver.2.0 or higher).

Wire terminal k and terminal l. (Do not use terminal kt and terminal lt.)

\* Do not remove the attached resistor.

DIN Track

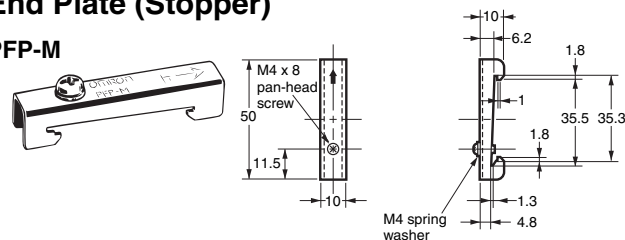
PFP-100N  
PFP-50N



\* Dimension in parentheses are for the PFP-50N.

End Plate (Stopper)

PFP-M





# Safety Precautions

Refer to *Safety Precautions for All Power Controllers*.

## ⚠ WARNING

Do not touch the terminals and the wires while power is being supplied. Doing so may possibly result in electric shock. Make sure that the terminal cover is installed before using the product.



## ⚠ CAUTION

Do not allow pieces of metal, wire clippings, or fine metallic chips or filings from installation to enter the product. Doing so may occasionally result in electric shock, fire, or malfunction.



Do not use the product in locations of flammable or explosive gases. Doing so may occasionally result in minor or moderate explosion, causing minor or moderate injury, or property damage.



Do not attempt to disassemble, repair, or modify the product. Doing so may occasionally result in minor or moderate injury due to electric shock.



Perform correct setting of the product according to the application. Failure to do so may occasionally cause unexpected operation, resulting in minor or moderate injury, or damage to the equipment.



Ensure safety in the event of product failure by taking safety measures, such as installing a separate monitoring system to provide alarms for preventing excessive temperature rise. Product failure may occasionally prevent control operation, resulting in damage to the connected facilities and equipment.



Tighten the terminal screws securely using a tightening torque within the following ranges. Loose screws may occasionally cause fire, resulting in minor or moderate injury, or damage to the equipment.



Terminal screws: 0.40 to 0.56 N·m

## ■ Precautions for Safe Use

- Do not use the product in the following locations.
  - Locations subject to direct radiant heat from heating equipment
  - Locations where the product may come into contact with water or oil
  - Locations subject to direct sunlight
  - Locations where dust or corrosive gases (in particular, sulfuric or ammonia gas) are present
  - Locations subject to extreme temperature changes
  - Locations where icing or condensation may occur
  - Locations subject to excessive shocks or vibration
- Use this product within the rated load and power supply.
- Ensure that the rated voltage is achieved no longer than 2 s after turning the power ON.
- Use/store within the rated temperature and humidity ranges.
- Minimum mounting distance of G3ZA is 10 mm. When mounting the G3ZA near the SSRs, mount the G3ZA so as to not interfere with the heat dissipation of the SSR.
- Use the specified size of insulated-type crimp terminals (M3, width: 5.8 mm max.) for wiring and attach insulative sleeves. To connect bare wires, use AWG22 (cross section: 0.326 mm<sup>2</sup>) to AWG14 (cross section: 2.081 mm<sup>2</sup>) to wire the power supply terminals and AWG22 (cross section: 0.326 mm<sup>2</sup>) to AWG16 (cross section: 1.039 mm<sup>2</sup>) for other terminals.
- Be sure to confirm the correct terminal and polarity when wiring the terminal block and connectors.
- Do not connect any conductors to unused terminals.
- In order to prevent inductive noise, wire the lines connected to the product separately from power lines carrying high voltages or currents. Do not wire in parallel with or in the same cable as power lines. Other measures for reducing noise include running lines along separate ducts and using shield lines.

- Attach a surge suppressor or noise filter to peripheral devices that generate noise (in particular, motors, transformers, solenoids, magnetic coils, or other devices that have an inductance component).

Do not install the product near devices generating strong high-frequency fields or surges. When using a noise filter, check the voltage and current and install it as close to the product as possible.

- For a safety disconnection of the power-line in the application, the equipment must be provided with disconnecting devices suitable for isolation. (e.g., circuit breakers defined in IEC60947-2, power switches defined in IEC60947-3, power plugs, etc.)

## Version 1.0 Usage Precautions

Version 1.0 is for single-phase loads only. Connect a single-phase zero-cross SSR. Do not connect a three-phase SSR, or to an SSR that is not magnet relay or zero-cross.

## Version 2.0 Usage Precautions

- Check the G3ZA settings and select the correct SSR from the following when wiring an SSR.
  - SSR with zero-cross function for single-phase heaters
  - SSR without zero-cross function for single-phase heaters
  - Three-phase SSR

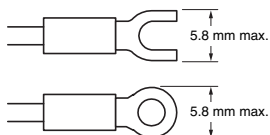
Do not connect a magnet relay.

- Check the G3ZA settings and select the correct CT from the following when wiring a CT.
  - E54-CT1
  - E54-CT3
  - G3ZA-CT150L

## ■ Precautions for Correct Use

### Wiring

Use M3 crimp terminals.

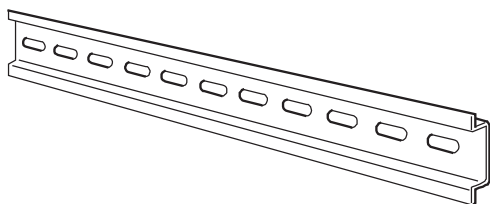


Use wires that withstand a minimum of 70°C.

### DIN Track

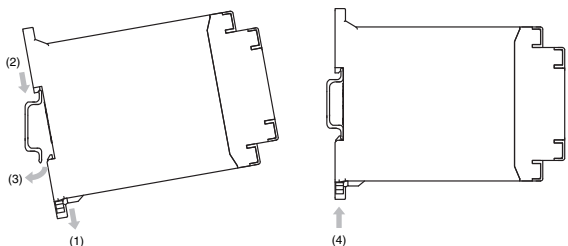
Secure the DIN Track with screws in at least three locations.

**DIN Track: PFP-50N (50 cm)/PFP-100N (100 cm)**



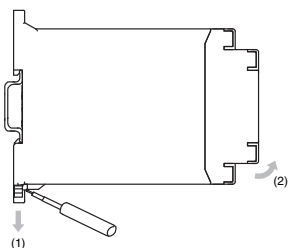
### Mounting the G3ZA

Mount the G3ZA as shown in the diagram. First, pull down the DIN Track mounting hook (1) and hook the top of the G3ZA on the DIN Track (2). Then press the G3ZA onto the DIN Track far enough so that it can be locked in place (3) and push the DIN Track mounting hook up to lock the G3ZA in place (4).



### Removing the G3ZA

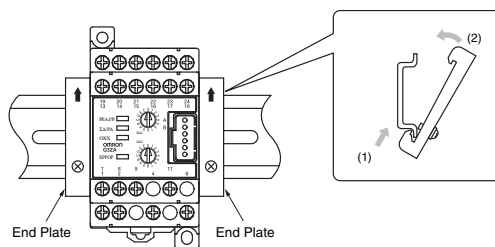
Use a flat-blade screwdriver to pull down the DIN Track mounting hook (1) and then pull out on the bottom of the G3ZA (2).



### Mounting End Plates

Be sure to mount an End Plate on each side of the G3ZA so that it does not slide on the DIN Track.

To mount an End Plate, hook the bottom of the End Plate on the bottom of the DIN Track (1), place the top of the End Plate on the DIN Track (2), and then pull down on the End Plate. Tighten the screw on the End Plate to secure it.



**Note:** Always mount one End Plate on each side of the G3ZA.

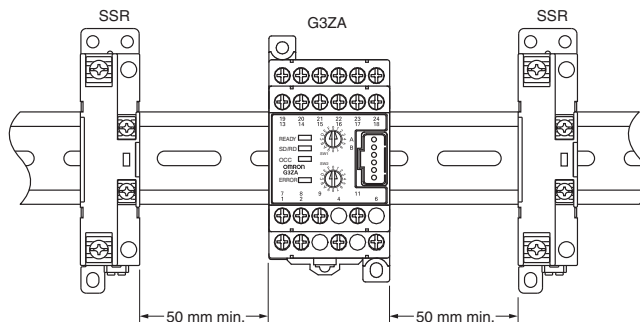
### Installation Example

When installing the SSRs next to the G3ZA, provide sufficient space between the G3ZA and SSRs, as shown in the following diagram.

Reference example:

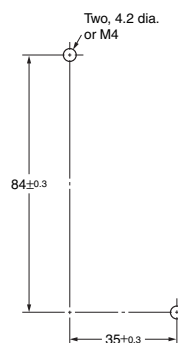
When applying 25 A to the G3PE-225B (a manipulated variable of 100%), **separate the SSRs from the G3ZA by at least 50 mm.**

Do not touch the G3ZA while power is being supplied.



### Mounting with Screws

Mounting Dimensions (Unit: mm)



ALL DIMENSIONS SHOWN ARE IN MILLIMETERS.

To convert millimeters into inches, multiply by 0.03937. To convert grams into ounces, multiply by 0.03527.

In the interest of product improvement, specifications are subject to change without notice.

## Terms and Conditions Agreement

### Read and understand this catalog.

Please read and understand this catalog before purchasing the products. Please consult your OMRON representative if you have any questions or comments.

### Warranties.

(a) Exclusive Warranty. Omron's exclusive warranty is that the Products will be free from defects in materials and workmanship for a period of twelve months from the date of sale by Omron (or such other period expressed in writing by Omron). Omron disclaims all other warranties, express or implied.

(b) Limitations. OMRON MAKES NO WARRANTY OR REPRESENTATION, EXPRESS OR IMPLIED, ABOUT NON-INFRINGEMENT, MERCHANTABILITY OR FITNESS FOR A PARTICULAR PURPOSE OF THE PRODUCTS. BUYER ACKNOWLEDGES THAT IT ALONE HAS DETERMINED THAT THE PRODUCTS WILL SUITABLY MEET THE REQUIREMENTS OF THEIR INTENDED USE.

Omron further disclaims all warranties and responsibility of any type for claims or expenses based on infringement by the Products or otherwise of any intellectual property right. (c) Buyer Remedy. Omron's sole obligation hereunder shall be, at Omron's election, to (i) replace (in the form originally shipped with Buyer responsible for labor charges for removal or replacement thereof) the non-complying Product, (ii) repair the non-complying Product, or (iii) repay or credit Buyer an amount equal to the purchase price of the non-complying Product; provided that in no event shall Omron be responsible for warranty, repair, indemnity or any other claims or expenses regarding the Products unless Omron's analysis confirms that the Products were properly handled, stored, installed and maintained and not subject to contamination, abuse, misuse or inappropriate modification. Return of any Products by Buyer must be approved in writing by Omron before shipment. Omron Companies shall not be liable for the suitability or unsuitability or the results from the use of Products in combination with any electrical or electronic components, circuits, system assemblies or any other materials or substances or environments. Any advice, recommendations or information given orally or in writing, are not to be construed as an amendment or addition to the above warranty.

See <http://www.omron.com/global/> or contact your Omron representative for published information.

### Limitation on Liability: Etc.

OMRON COMPANIES SHALL NOT BE LIABLE FOR SPECIAL, INDIRECT, INCIDENTAL, OR CONSEQUENTIAL DAMAGES, LOSS OF PROFITS OR PRODUCTION OR COMMERCIAL LOSS IN ANY WAY CONNECTED WITH THE PRODUCTS, WHETHER SUCH CLAIM IS BASED IN CONTRACT, WARRANTY, NEGLIGENCE OR STRICT LIABILITY.

Further, in no event shall liability of Omron Companies exceed the individual price of the Product on which liability is asserted.

### Suitability of Use.

Omron Companies shall not be responsible for conformity with any standards, codes or regulations which apply to the combination of the Product in the Buyer's application or use of the Product. At Buyer's request, Omron will provide applicable third party certification documents identifying ratings and limitations of use which apply to the Product. This information by itself is not sufficient for a complete determination of the suitability of the Product in combination with the end product, machine, system, or other application or use. Buyer shall be solely responsible for determining appropriateness of the particular Product with respect to Buyer's application, product or system. Buyer shall take application responsibility in all cases.

NEVER USE THE PRODUCT FOR AN APPLICATION INVOLVING SERIOUS RISK TO LIFE OR PROPERTY OR IN LARGE QUANTITIES WITHOUT ENSURING THAT THE SYSTEM AS A WHOLE HAS BEEN DESIGNED TO ADDRESS THE RISKS, AND THAT THE OMRON PRODUCT(S) IS PROPERLY RATED AND INSTALLED FOR THE INTENDED USE WITHIN THE OVERALL EQUIPMENT OR SYSTEM.

### Programmable Products.

Omron Companies shall not be responsible for the user's programming of a programmable Product, or any consequence thereof.

### Performance Data.

Data presented in Omron Company websites, catalogs and other materials is provided as a guide for the user in determining suitability and does not constitute a warranty. It may represent the result of Omron's test conditions, and the user must correlate it to actual application requirements. Actual performance is subject to the Omron's Warranty and Limitations of Liability.

### Change in Specifications.

Product specifications and accessories may be changed at any time based on improvements and other reasons. It is our practice to change part numbers when published ratings or features are changed, or when significant construction changes are made. However, some specifications of the Product may be changed without any notice. When in doubt, special part numbers may be assigned to fix or establish key specifications for your application. Please consult with your Omron's representative at any time to confirm actual specifications of purchased Product.

### Errors and Omissions.

Information presented by Omron Companies has been checked and is believed to be accurate; however, no responsibility is assumed for clerical, typographical or proofreading errors or omissions.