

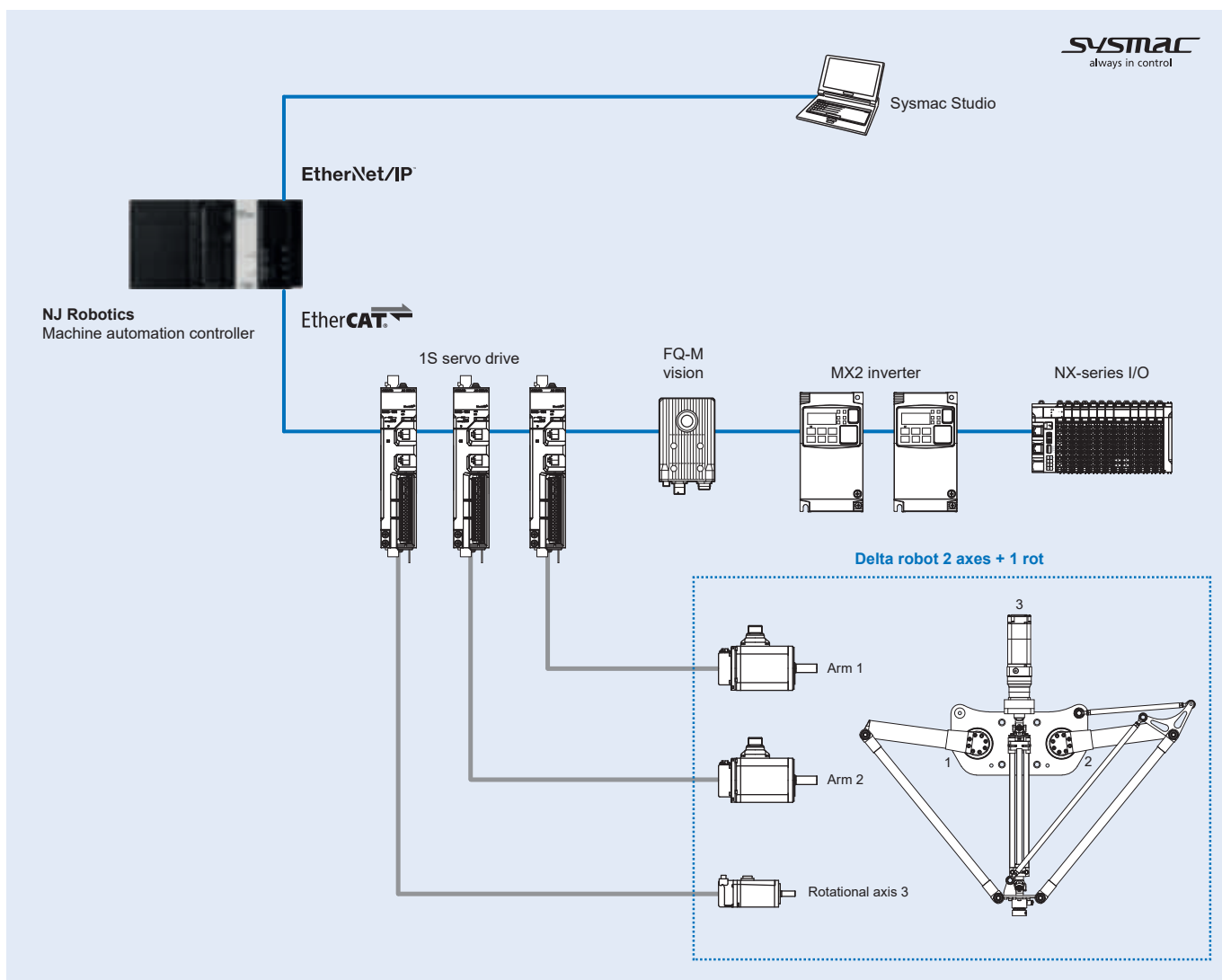
Delta robot 2 axes + 1 rot

The design concept with a minimum of mechanical components results in a high quality robot

- Robot control integrated in the NJ robotics controller
- Control of up to 8 robots by one controller
- Degrees of freedom: 2 + 1 (rotational axis optional)
- Up to 200 cycle per minute
- Models from 800 to 1,500 mm working range
- Payload range: 3 to 35 kg
- TWIN model for applications that a long gripper is required
- IP65 protection class
- ISO mount gripper interface
- Low maintenance, easy access to components



System configuration



Note: Servo motors included in the Delta robot.

Specifications

Delta robot 2 axes + 1 rot series

Standard models

Model		CR_UGD21500		CR_UGD21000		
		With rotational axis	Without rotational axis	With rotational axis	Without rotational axis	
Working volume	X axis (stroke)	1,500 mm		1,000 mm		
	Z axis (stroke) ¹	347 mm (maximum 1,500 mm)		342 mm (maximum 1,000 mm)		
	θ axis (rotation angle)	±180 deg (default setting, it can be changed)	-	±180 deg (default setting, it can be changed)	-	
Servo motor	Arm 1, 2	Model	R88M-1L3K030C-BS2			
		Capacity	3000 W			
	Rotational axis 3	Model	R88M-1M40030T-BS2	-	R88M-1M40030T-BS2	-
		Capacity	400 W	-	400 W	-
Repeatability ²	X, Z axis	±0.4 mm		±0.2 deg		
	θ axis	±0.2 deg	-	±0.2 deg	-	
Maximum payload		35 kg		30 kg		
Maximum through-put ³		45 CPM ⁴		50 CPM ⁴		
Gear box ratio	X, Z axis	1:35		1:25		
	θ axis	1:25	-	1:25	-	
θ axis torque limitation		22 Nm		22 Nm		
Travel limit		1. Soft limit, 2. Mechanical stopper (X, Y, Z axis)				
Noise level		< 70 dB (A)				
Ambient temperature		Operating: 5°C to 45°C / Storage: -15°C to 60°C				
Relative humidity		Max. 90%				
Protection class		IP65				
Weight (kg)		80 kg		75 kg		

¹ For further details please check the dimensional drawing in the next section.

² This is the value at a constant ambient temperature.

³ With 5 kg payload. When reciprocating 500 mm in vertical, 300 mm in horizontal and 100 mm in vertical directions.

⁴ CPM: Cycle per minutes. Check the note 3 for the cycle definition.

Model		CR_UGD2800		
		With rotational axis	Without rotational axis	
Working volume	X axis (stroke)	800 mm		
	Z axis (stroke) ¹	209 mm (maximum 800 mm)	265 mm (maximum 800 mm)	
	θ axis (rotation angle)	±180 deg (default setting, it can be changed)	-	
Servo motor	Arm 1, 2	Model	R88M-1L1K030T-BS2	
		Capacity	1000 W	
	Rotational axis 3	Model	R88M-1M40030T-BS2	-
		Capacity	400 W	-
Repeatability ²	X, Z axis	±0.3 mm		
	θ axis	±0.2 deg	-	
Maximum payload		3 kg		
Maximum through-put ³		200 CPM ⁴		
Gear box ratio	X, Z axis	1:31		
	θ axis	1:10	-	
θ axis torque limitation		16 Nm		
Travel limit		1. Soft limit, 2. Mechanical stopper (X, Y, Z axis)		
Noise level		< 70 dB (A)		
Ambient temperature		Operating: 5°C to 45°C / Storage: -15°C to 60°C		
Relative humidity		Max. 90%		
Protection class		IP65		
Weight (kg)		40 kg		

¹ For further details please check the dimensional drawing in the next section.

² This is the value at a constant ambient temperature.

³ With 0.1 kg payload. When reciprocating 305 mm in horizontal and 25 mm in vertical directions.

⁴ CPM: Cycle per minutes. Check the note 3 for the cycle definition.

TWIN model

Model		CR_UGD21000T_NR
Working volume	X axis (stroke)	1,000 mm
	Z axis (stroke) ¹	342.5 mm (maximum 1,000 mm)
Servo motor	Arm 1, 2	Model R88M-1L2K030C-BS2
		Capacity 2000 W
Repeatability ²	X, Z axis	±0.4 mm
Maximum payload		30 kg
Maximum through-put ³		50 CPM ⁴
Gear box ratio	X, Z axis	1:35
Travel limit		1. Soft limit, 2. Mechanical stopper (X, Y, Z axis)
Noise level		< 70 dB (A)
Ambient temperature		Operating: 5°C to 45°C / Storage: -15°C to 60°C
Relative humidity		Max. 90%
Protection class		IP65
Weight (kg)		220 kg

¹ For further details please check the dimensional drawing in the next section.

² This is the value at a constant ambient temperature.

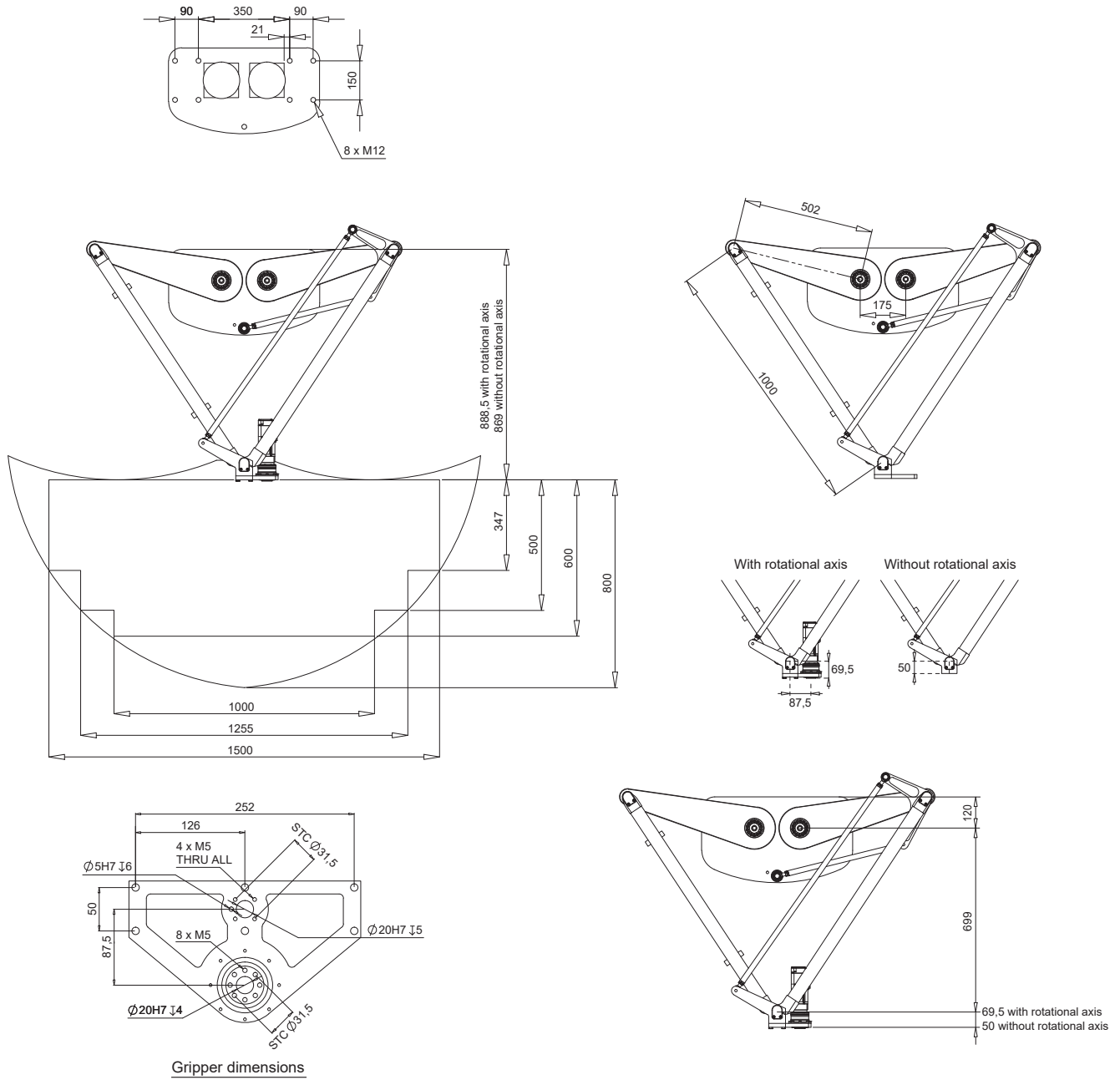
³ With 5 kg payload. When reciprocating 500 mm in vertical, 300 mm in horizontal and 100 mm in vertical directions.

⁴ CPM: Cycle per minutes. Check the note 3 for the cycle definition.

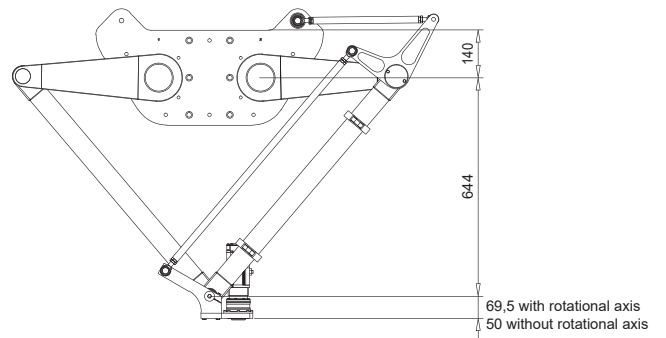
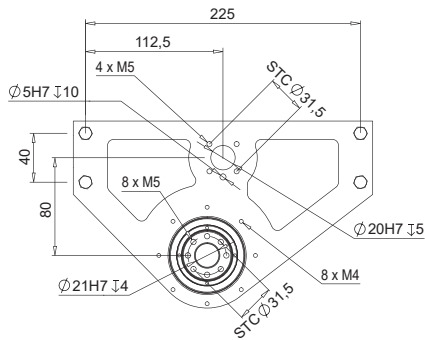
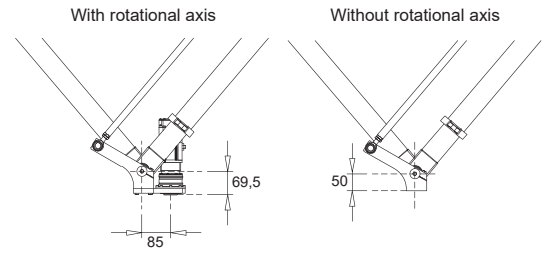
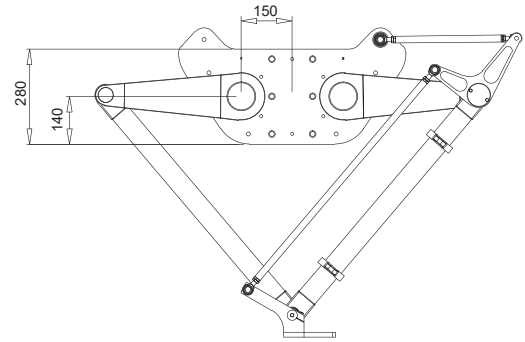
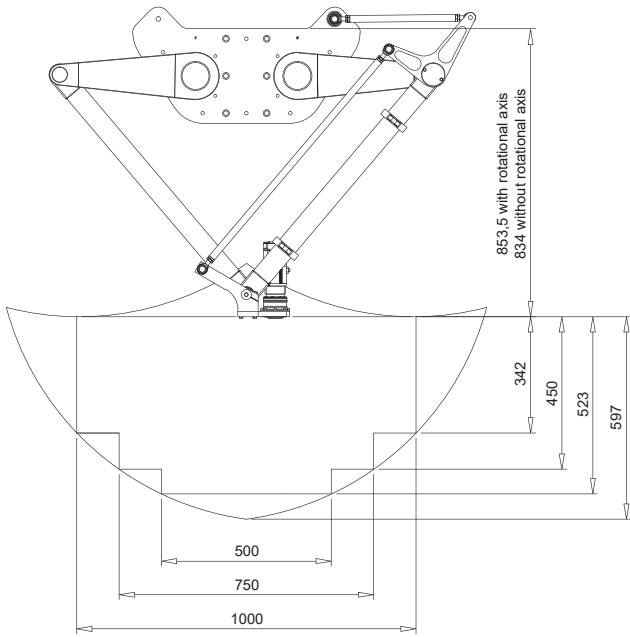
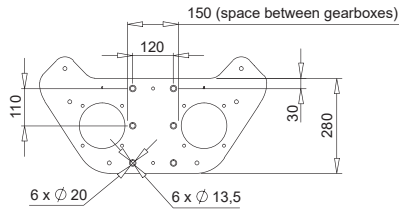
Dimensions

Standard models

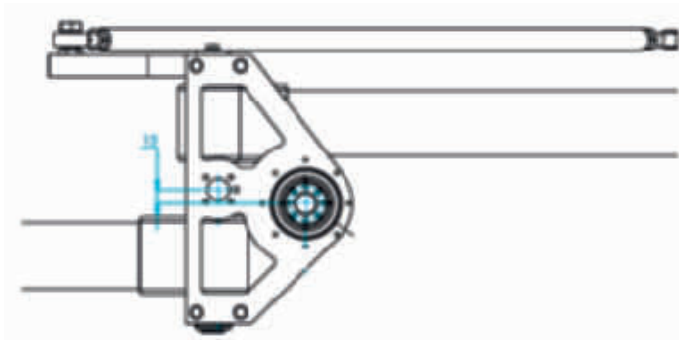
CR_UGD21500_□R

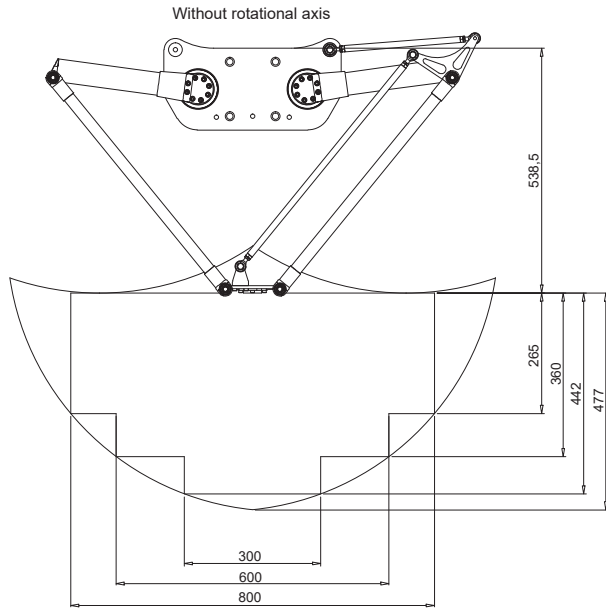
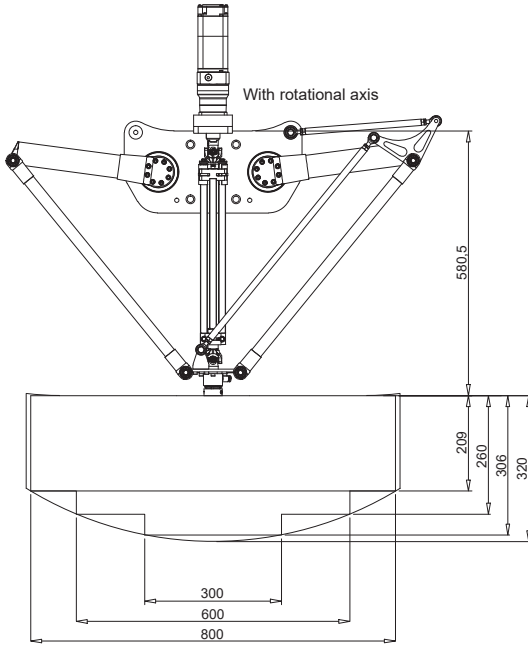
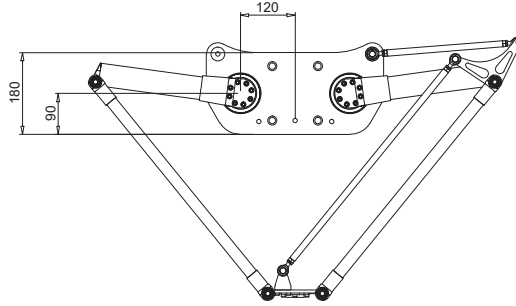
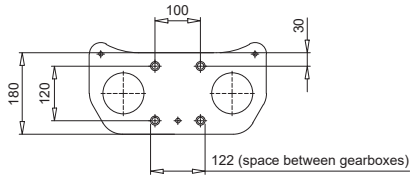


CR_UGD21000_□R

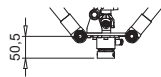


Gripper dimensions

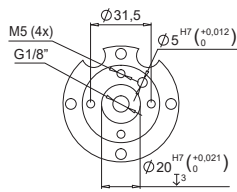
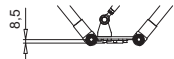




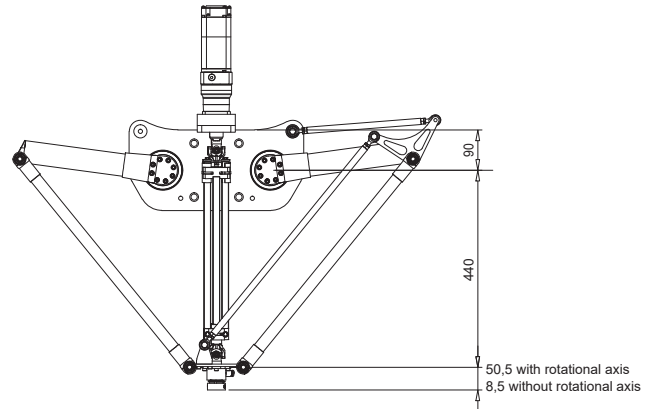
With rotational axis



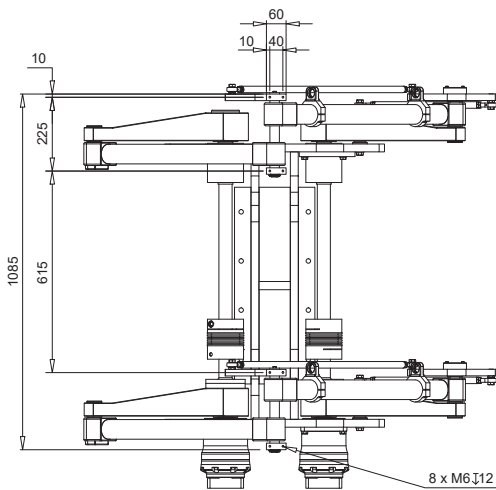
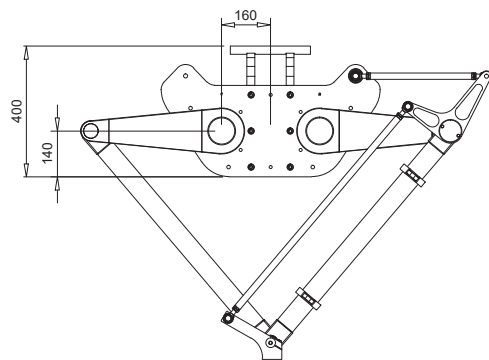
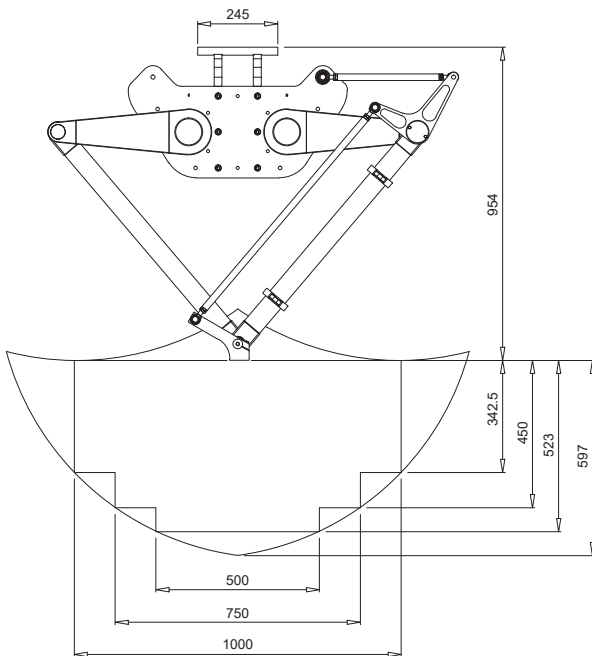
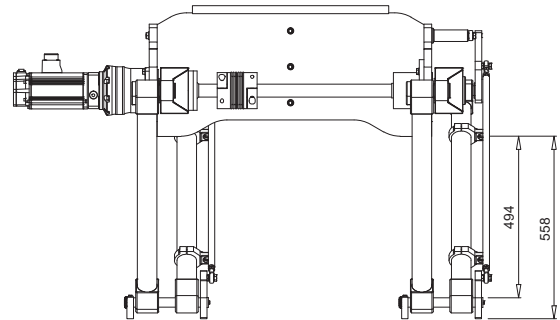
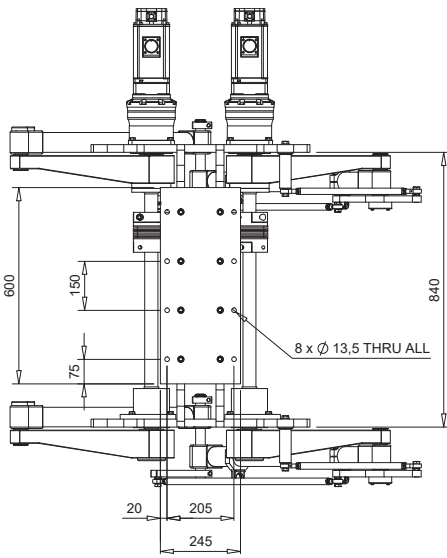
Without rotational axis



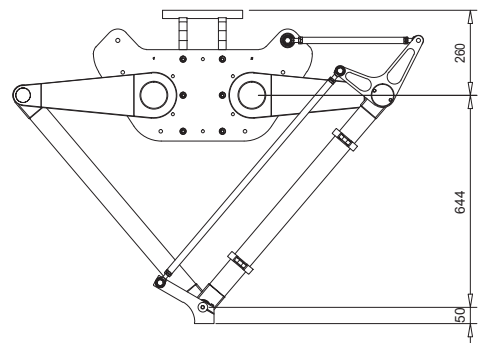
Gripper dimensions



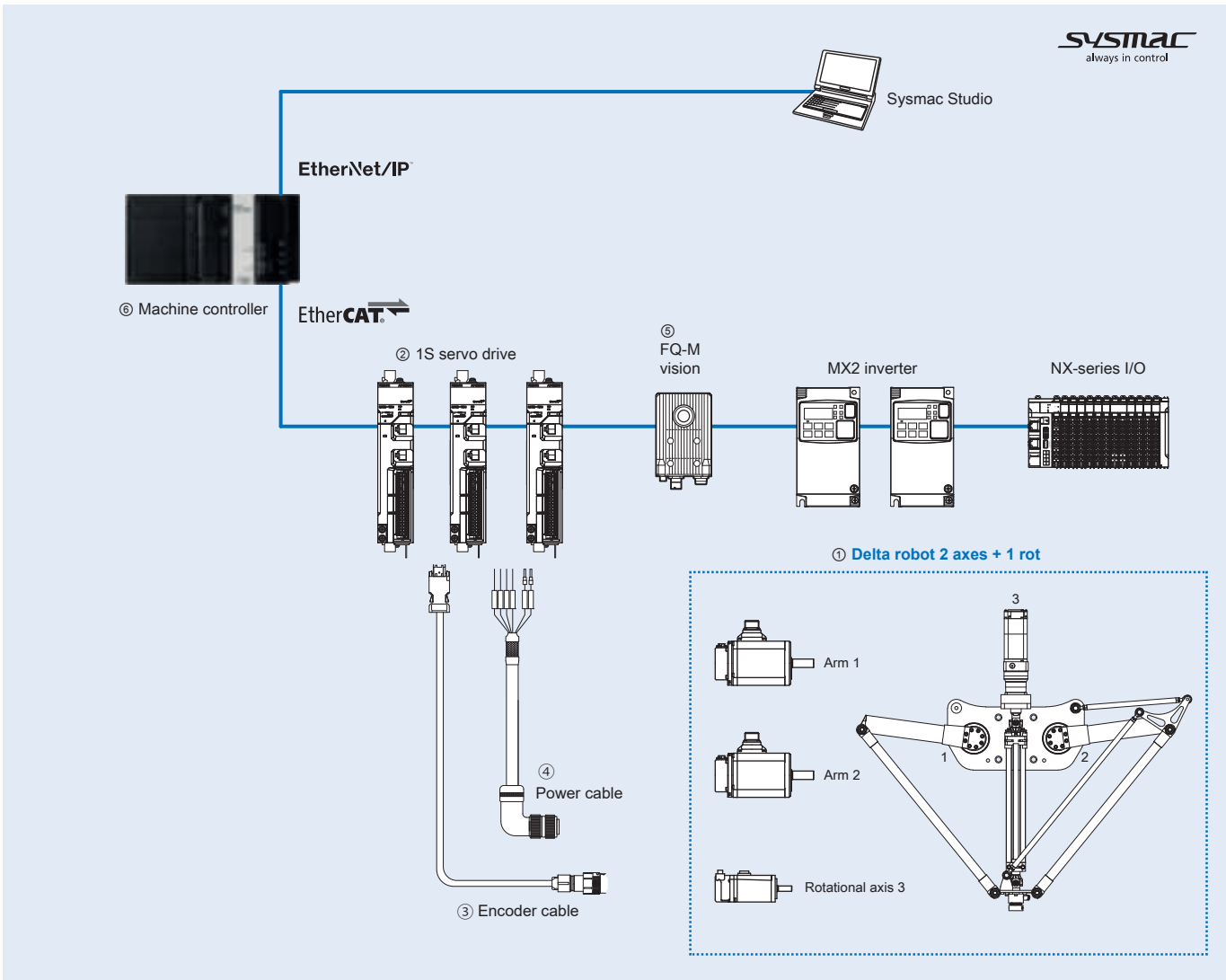
TWIN model
CR_UGD21000T_NR



Gripper dimensions



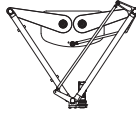
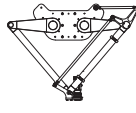
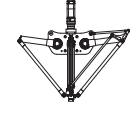
Ordering information



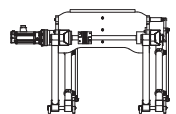
Note: Servo motors included in the Delta robot.

Delta robot 2 axes + 1 rot series

Standard models

Symbol	Model	Max. payload	Working range	Description	Axis	Applicable servo drive ②
① 	CR_UGD21500_R	35 kg	1,500 × 347 mm (Max. 800)	2 + 1 axes	Arm 1	R88D-1SN30F-ECT
					Arm 2	R88D-1SN30F-ECT
					Rotational 3	R88D-1SN04H-ECT
	CR_UGD21500_NR	2 axes	Arm 1	R88D-1SN30F-ECT		
	Arm 2	R88D-1SN30F-ECT				
① 	CR_UGD21000_R	30 kg	1,000 × 342 mm (Max. 597)	2 + 1 axes	Arm 1	R88D-1SN20F-ECT
					Arm 2	R88D-1SN20F-ECT
					Rotational 3	R88D-1SN04H-ECT
	CR_UGD21000_NR	2 axes	Arm 1	R88D-1SN20F-ECT		
	Arm 2	R88D-1SN20F-ECT				
① 	CR_UGD2800_R	3 kg	800 × 209 mm (Max. 320)	2 + 1 axes	Arm 1	R88D-1SN15H-ECT
					Arm 2	R88D-1SN15H-ECT
					Rotational 3	R88D-1SN04H-ECT
	CR_UGD2800_NR	800 × 265 mm (Max. 477)	2 axes	Arm 1	R88D-1SN15H-ECT	
	Arm 2	R88D-1SN15H-ECT				

TWIN model

Symbol	Model	Max. payload	Working range	Description	Axis	Applicable servo drive ②
① 	CR_UGD21000T_NR	30 kg	1,000 × 342 mm (Max. 597)	2 axes	Arm 1	R88D-1SN20F-ECT
					Arm 2	R88D-1SN20F-ECT

Encoder cables

Symbol	Applicable Delta robots	Model	Appearance
③	CR_UGD21500 (Arm 1, 2) CR_UGD21000 (Arm 1, 2) CR_UGD2800 (Arm 1, 2) CR_UGD21000T	1.5 m	R88A-CR1B001-5NF-E
		3 m	R88A-CR1B003NF-E
		5 m	R88A-CR1B005NF-E
		10 m	R88A-CR1B010NF-E
		15 m	R88A-CR1B015NF-E
		20 m	R88A-CR1B020NF-E
	CR_UGD21500 (Rotational axis 3) CR_UGD21000 (Rotational axis 3) CR_UGD2800 (Rotational axis 3)	1.5 m	R88A-CR1A001-5CF-E
		3 m	R88A-CR1A003CF-E
		5 m	R88A-CR1A005CF-E
		10 m	R88A-CR1A010CF-E
	15 m	R88A-CR1A015CF-E	
	20 m	R88A-CR1A020CF-E	

Power and brake cables

Symbol	Applicable Delta robots			Model	Appearance		
④	CR_UGD21500 CR_UGD21000	Arm 1, 2	Power cable with brake	1.5 m	R88A-CA1E001-5BF-E		
				3 m	R88A-CA1E003BF-E		
				5 m	R88A-CA1E005BF-E		
				10 m	R88A-CA1E010BF-E		
				15 m	R88A-CA1E015BF-E		
				20 m	R88A-CA1E020BF-E		
		Rotational axis 3	Power cable without brake	1.5 m	R88A-CA1A001-5SF-E		
				3 m	R88A-CA1A003SF-E		
				5 m	R88A-CA1A005SF-E		
				10 m	R88A-CA1A010SF-E		
				15 m	R88A-CA1A015SF-E		
				20 m	R88A-CA1A020SF-E		
		Brake cable		1.5 m	R88A-CA1A001-5BF-E		
				3 m	R88A-CA1A003BF-E		
				5 m	R88A-CA1A005BF-E		
	10 m			R88A-CA1A010BF-E			
	15 m			R88A-CA1A015BF-E			
	20 m			R88A-CA1A020BF-E			
	CR_UGD2800	Arm 1, 2	Power cable with brake	1.5 m	R88A-CA1C001-5BF-E		
				3 m	R88A-CA1C003BF-E		
				5 m	R88A-CA1C005BF-E		
				10 m	R88A-CA1C010BF-E		
				15 m	R88A-CA1C015BF-E		
				20 m	R88A-CA1C020BF-E		
Rotational axis 3		Power cable without brake	1.5 m	R88A-CA1A001-5SF-E			
			3 m	R88A-CA1A003SF-E			
			5 m	R88A-CA1A005SF-E			
			10 m	R88A-CA1A010SF-E			
			15 m	R88A-CA1A015SF-E			
			20 m	R88A-CA1A020SF-E			
Brake cable			1.5 m	R88A-CA1A001-5BF-E			
			3 m	R88A-CA1A003BF-E			
			5 m	R88A-CA1A005BF-E			
	10 m		R88A-CA1A010BF-E				
	15 m		R88A-CA1A015BF-E				
	20 m		R88A-CA1A020BF-E				
CR_UGD21000T	Arm 1, 2	Power cable with brake	1.5 m	R88A-CA1E001-5BF-E			
			3 m	R88A-CA1E003BF-E			
			5 m	R88A-CA1E005BF-E			
			10 m	R88A-CA1E010BF-E			
			15 m	R88A-CA1E015BF-E			
			20 m	R88A-CA1E020BF-E			

Vision

Name	Type	Model	
⑤ FQ-M series	Color	NPN	FQ-MS120-ECT
		PNP	FQ-MS125-ECT
	Monochrome	NPN	FQ-MS120-M-ECT
		PNP	FQ-MS125-M-ECT

Machine controller

Name	Functions	Delta robot control	Axes	Model	
⑥ NJ Robotics	CPU unit	Logic sequence, motion, robotics and database connection	Control of up to 8 Delta robot depending on the number of axes supported by the CPU	16	NJ501-4320
				64	NJ501-4500
				32	NJ501-4400
				16	NJ501-4300
				16	NJ501-4310
	Power supply unit				NJ-PA3001 (220 VAC) NJ-PD3001 (24 VDC)

Computer software

Specifications	Model
Sysmac Studio version 1.03 or higher	SYSMAC-SE2□□□

ALL DIMENSIONS SHOWN ARE IN MILLIMETERS.
To convert millimeters into inches, multiply by 0.03937. To convert grams into ounces, multiply by 0.03527.