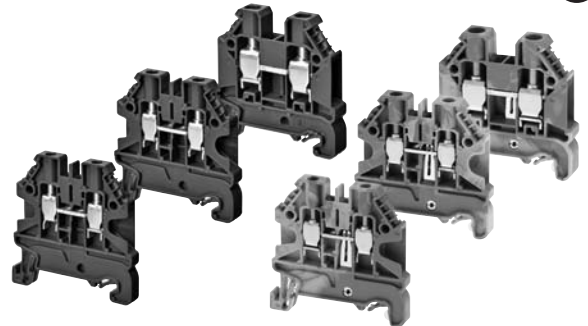


# DIN Track Terminal Blocks with Screw Terminals XW5T

## Global-standard DIN Terminal Blocks for Control Panels



- Wires held with screws.
- Compatible with a wide range of wire sizes with a nominal cross section from 2.5 to 150 mm<sup>2</sup>.
- Terminal Blocks with Fuses and Disconnect Terminal Blocks are available.



Refer to your OMRON website for the most recent information on models that are certified for standards.

Refer to *Safety Precautions* on page 20.

## Model Number Legend

### Feed Through Terminal Blocks

**XW5T - S** □ - □ - □ □  
(1) (2) (3) (4)

**(1) Nominal Cross Section**

- 2.5: 2.5mm<sup>2</sup>
- 4.0: 4.0mm<sup>2</sup>
- 6.0: 6.0mm<sup>2</sup>
- 10: 10mm<sup>2</sup>
- 16: 16mm<sup>2</sup>
- 35: 35mm<sup>2</sup>
- 150: 150mm<sup>2</sup>

**(2) Wiring**

- 1.1:1:1
- 1.2:1:2
- 2.2:2:2

### Grounding Terminal Blocks

**XW5G - S** □ - □ - □  
(1) (2) (3)

**(3) Number of Tiers**

- 1: 1 tier
- 2: 2 tiers

**(4) Color**

- Blank: Dark gray
- BL: Blue
- V: Black (Vertical Connection)

# XW5T

## Ordering Information

Classification	Product Type	Nominal Cross Section (mm <sup>2</sup> )	Number of levels	Number of cramp position per level	Color	Insulating material	Flammability Rating according to UL94	Model	Pack (pcs.)	Weight (gram)		
Feed Through Terminal blocks	Standard terminals	2.5	1	2	Dark gray	PA	V0	XW5T-S2.5-1.1-1	100	8		
		2.5	1	2	Blue	PA	V0	XW5T-S2.5-1.1-1BL	100	8		
		4.0	1	2	Dark gray	PA	V0	XW5T-S4.0-1.1-1	100	9		
		4.0	1	2	Blue	PA	V0	XW5T-S4.0-1.1-1BL	100	9		
		6.0	1	2	Dark gray	PA	V0	XW5T-S6.0-1.1-1	100	14		
		6.0	1	2	Blue	PA	V0	XW5T-S6.0-1.1-1BL	100	14		
		10.0	1	2	Dark gray	PA	V0	XW5T-S10-1.1-1	50	17		
		10.0	1	2	Blue	PA	V0	XW5T-S10-1.1-1BL	50	17		
		16.0	1	2	Dark gray	PA	V0	XW5T-S16-1.1-1	50	37		
		16.0	1	2	Blue	PA	V0	XW5T-S16-1.1-1BL	50	37		
		35.0	1	2	Dark gray	PA	V0	XW5T-S35-1.1-1	20	74		
		35.0	1	2	Blue	PA	V0	XW5T-S35-1.1-1BL	20	74		
	150.0	1	2	Dark gray	PA	V0	XW5T-S150-1.1-1	10	281			
	Multi tiers terminal		2.5	2	2	Dark gray	PA	V0	XW5T-S2.5-1.1-2	100	13	
			2.5	2	2	Black	PA	V0	XW5T-S2.5-1.1-2V	100	15	
			4.0	2	2	Dark gray	PA	V0	XW5T-S4.0-1.1-2	100	19	
			4.0	2	2	Black	PA	V0	XW5T-S4.0-1.1-2V	100	20	
		Multi conductor terminals		4.0	1	3	Dark gray	PA	V0	XW5T-S4.0-1.2-1	100	13
				4.0	1	4	Dark gray	PA	V0	XW5T-S4.0-2.2-1	100	17
			4.0	1	4	Blue	PA	V0	XW5T-S4.0-2.2-1BL	100	17	
Grounding Terminal blocks	Standard terminals	2.5	1	2	Green/ yellow	PA	V0	XW5G-S2.5-1.1-1	100	10		
		4.0	1	2		PA	V0	XW5G-S4.0-1.1-1	100	12		
		6.0	1	2		PA	V0	XW5G-S6.0-1.1-1	100	20		
		10.0	1	2		PA	V0	XW5G-S10-1.1-1	50	23		
		16.0	1	2		PA	V0	XW5G-S16-1.1-1	50	47		
		35.0	1	2		PA	V0	XW5G-S35-1.1-1	20	123		
	Multi conductor terminals	4.0	1	4		PA	V0	XW5G-S4.0-2.2-1	100	20		
	Special terminals	Fuse terminal	4.0	1		2	Dark gray	PA	V0	XW5T-S4.0-FU5	50	19
4.0			1	2	PA	V0		XW5T-S4.0-FU6	50	22		
Knife edge disconnect block		4.0	1	2	PA	V0		XW5T-S4.0-KD	100	12		

## Accessories

### Short Bars

For XW5□-S2.5-□

No. of poles	Color	Model	Pack (pcs.)
2	Yellow (YL)	XW5S-S2.5-2	10
5		XW5S-S2.5-5	10
10		XW5S-S2.5-10	20

For XW5□-S4.0-□

No. of poles	Color	Model	Pack (pcs.)
2	Yellow (YL)	XW5S-S4.0-2	10
3		XW5S-S4.0-3	10
4		XW5S-S4.0-4	10
5		XW5S-S4.0-5	10
10		XW5S-S4.0-10	20

For XW5□-S6.0-□

No. of poles	Color	Model	Pack (pcs.)
2	Yellow (YL)	XW5S-S6.0-2	10
3		XW5S-S6.0-3	10
5		XW5S-S6.0-5	10

For XW5□-S10-□

No. of poles	Color	Model	Pack (pcs.)
2	Yellow (YL)	XW5S-S10-2	10

### Cross Connector with Screw

For XW5□-S2.5-1.1-2□

No. of poles	Color	Model	Pack (pcs.)
2	Yellow (YL)	XW5S-S2.5-2N	10
4		XW5S-S2.5-4N	10
10		XW5S-S2.5-10N	10

### End Covers

Applicable Terminal Blocks	Model	Pack (pcs.)
XW5□-S2.5-1.1-□ XW5□-S4.0-1.1-□ XW5□-S6.0-1.1-□ XW5□-S10-1.1-□	XW5E-S2.5	10
XW5T-S16-1.1-□	XW5E-S16	10
XW5T-S4.0-KD XW5□-S4.0-1.2-1	XW5E-S4.0-1.2-1	10
XW5□-S4.0-2.2-1	XW5E-S4.0-2.2-1	10
XW5□-S4.0-1.1-2□	XW5E-S4.0-1.1-2	10
XW5T-S2.5-1.1-2□	XW5E-S2.5N	10

### Separator Plates

Applicable Terminal Blocks	Model	Pack (pcs.)
XW5□-S2.5-1.1-□ XW5□-S4.0-1.1-□ XW5□-S6.0-1.1-□ XW5□-S10-1.1-□	XW5Z-S2.5PT	10

### Labels

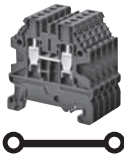
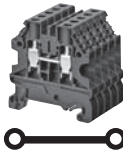
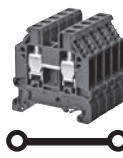





Applicable Terminal Blocks	Marking	Model	Pack (pcs.)
XW5□-S2.5-□	None	XW5Z-S2.5LB	25
	1-10	XW5Z-S2.5LB-1-10	25
	11-20	XW5Z-S2.5LB-11-20	25
	21-30	XW5Z-S2.5LB-21-30	25
	31-40	XW5Z-S2.5LB-31-40	25
	41-50	XW5Z-S2.5LB-41-50	25
	51-60	XW5Z-S2.5LB-51-60	25
	61-70	XW5Z-S2.5LB-61-70	25
	71-80	XW5Z-S2.5LB-71-80	25
	81-90	XW5Z-S2.5LB-81-90	25
	91-100	XW5Z-S2.5LB-91-100	25
	1-100	XW5Z-S2.5LB-1-100	1 *
	XW5□-S4.0-□	None	XW5Z-S4.0LB
1-10		XW5Z-S4.0LB-1-10	25
11-20		XW5Z-S4.0LB-11-20	25
21-30		XW5Z-S4.0LB-21-30	25
31-40		XW5Z-S4.0LB-31-40	25
41-50		XW5Z-S4.0LB-41-50	25
51-60		XW5Z-S4.0LB-51-60	25
61-70		XW5Z-S4.0LB-61-70	25
71-80		XW5Z-S4.0LB-71-80	25
81-90		XW5Z-S4.0LB-81-90	25
91-100		XW5Z-S4.0LB-91-100	25
1-100		XW5Z-S4.0LB-1-100	1 *
XW5□-S6.0-□		None	XW5Z-S6.0LB
	1-10	XW5Z-S6.0LB-1-10	25
	11-20	XW5Z-S6.0LB-11-20	25
	21-30	XW5Z-S6.0LB-21-30	25
	31-40	XW5Z-S6.0LB-31-40	25
	41-50	XW5Z-S6.0LB-41-50	25
	51-60	XW5Z-S6.0LB-51-60	25
	61-70	XW5Z-S6.0LB-61-70	25
	71-80	XW5Z-S6.0LB-71-80	25
	81-90	XW5Z-S6.0LB-81-90	25
	91-100	XW5Z-S6.0LB-91-100	25
	1-100	XW5Z-S6.0LB-1-100	1 *

\* Box including 250 pcs.

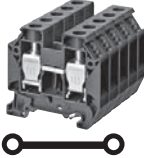
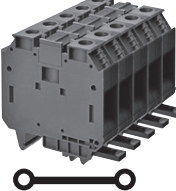
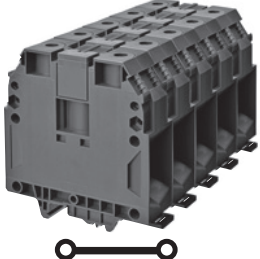
# XW5T

## Ratings and Specifications

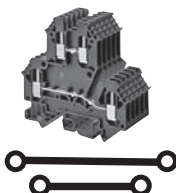
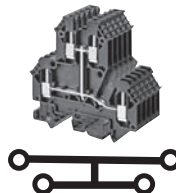
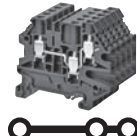
### Feed Through Terminal Blocks

Model	XW5T-S2.5-1.1-1(BL)	XW5T-S4.0-1.1-1(BL)	XW5T-S6.0-1.1-1(BL)	XW5T-S10-1.1-1(BL)	
Appearance and internal wiring	1 tier, 1:1 	1 tier, 1:1 	1 tier, 1:1 	1 tier, 1:1 	
					
Applicable wire sizes	NOMINAL CROSS SECTION	2.5 mm <sup>2</sup>	4.0 mm <sup>2</sup>	6.0 mm <sup>2</sup>	10 mm <sup>2</sup>
	Minimum conductor cross section solid	0.14 mm <sup>2</sup>	0.14 mm <sup>2</sup>	0.2 mm <sup>2</sup>	0.5 mm <sup>2</sup>
	Maximum conductor cross section solid	4.0 mm <sup>2</sup>	6.0 mm <sup>2</sup>	10 mm <sup>2</sup>	16 mm <sup>2</sup>
	Minimum conductor cross section fine stranded	0.14 mm <sup>2</sup>	0.14 mm <sup>2</sup>	0.2 mm <sup>2</sup>	0.5 mm <sup>2</sup>
	Maximum conductor cross section fine stranded	4.0 mm <sup>2</sup>	6.0 mm <sup>2</sup>	10 mm <sup>2</sup>	16 mm <sup>2</sup>
	Minimum conductor cross section (flex., stranded) with cable end sleeve	0.5 mm <sup>2</sup>	0.5 mm <sup>2</sup>	0.5 mm <sup>2</sup>	0.5 mm <sup>2</sup>
	Maximum conductor cross section (flex., stranded) with cable end sleeve	2.5 mm <sup>2</sup>	4.0 mm <sup>2</sup>	6.0 mm <sup>2</sup>	10 mm <sup>2</sup>
	Conductor cross section AWG	AWG26 to AWG12	AWG26 to AWG10	AWG24 to AWG8	AWG20 to AWG6
	Wire strip length	9 mm	9 mm	11 mm	13 mm
Tightening torque	0.4 Nm	0.5 Nm	1.2 Nm	1.2 Nm	
Dimensions	5×48.2×56	6×48.2×56	8×48.2×56	10×48.2×56.2	
Mounting rail	TH35	TH35	TH35	TH35	
IEC rated voltage	1,000 V	1,000 V	1,000 V	1,000 V	
IEC rated current	24 A	32 A	41 A	57 A	
Rated impulse voltage	8 kV	8 kV	8 kV	8 kV	
UL rated voltage	600 V	600 V	600 V	600 V	
UL rated current	20 A	30 A	50 A	65 A	
End Covers	XW5E-S2.5-1.1-1	XW5E-S2.5-1.1-1	XW5E-S2.5-1.1-1	XW5E-S2.5-1.1-1	
Applicable nameplates	XW5Z-S2.5LB	XW5Z-S4.0LB□	XW5Z-S6.0LB□	---	
Applicable Short Bars	XW5S-S4.0-□ (□: Poles = 2, 3, 4, 5 or 10)	XW5S-S4.0-□ (□: Poles = 2, 3, 4, 5 or 10)	XW5S-S6.0-□ (□: Poles = 2, 3, 4, or 5)	XW5S-S10-□ (□: Poles = 2)	

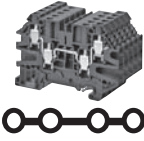
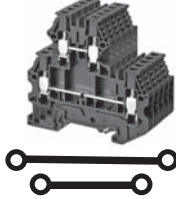
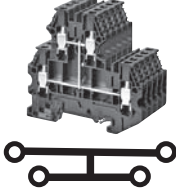
## Feed Through Terminal Blocks

Model	XW5T-S16-1.1-1(BL)	XW5T-S35-1.1-1(BL)	XW5T-S150-1.1-1(BL)	
Appearance and internal wiring	1 tier, 1:1 	1 tier, 1:1 	1 tier, 1:1 	
	<b>NOMINAL CROSS SECTION</b>	16 mm <sup>2</sup>	35 mm <sup>2</sup>	150 mm <sup>2</sup>
Applicable wire sizes	<b>Minimum conductor cross section solid</b>	1.5 mm <sup>2</sup>	10 mm <sup>2</sup>	---
	<b>Maximum conductor cross section solid</b>	16 mm <sup>2</sup>	10 mm <sup>2</sup>	---
	<b>Minimum conductor cross section fine stranded</b>	4.0 mm <sup>2</sup>	10 mm <sup>2</sup>	35 mm <sup>2</sup>
	<b>Maximum conductor cross section fine stranded</b>	25 mm <sup>2</sup>	35 mm <sup>2</sup>	150 mm <sup>2</sup>
	<b>Minimum conductor cross section (flex., stranded) with cable end sleeve</b>	1.5 mm <sup>2</sup>	---	---
	<b>Maximum conductor cross section (flex., stranded) with cable end sleeve</b>	16 mm <sup>2</sup>	---	---
	<b>Conductor cross section AWG</b>	AWG14 to AWG4	AWG10 to AWG 1/0	AWG 2/0 to 350 kcmil
	<b>Wire strip length</b>	15 mm	18 mm	30 mm
	<b>Tightening torque</b>	2 Nm	3 Nm	10 Nm
<b>Dimensions</b>	12×58.5×62	16×63×75.1	28×96×106.1	
<b>Mounting rail</b>	TH35	TH35	TH35	
<b>IEC rated voltage</b>	1,000 V	800 V	1,000 V	
<b>IEC rated current</b>	76 A	124 A	309 A	
<b>Rated impulse voltage</b>	8 kV	8 kV	8 kV	
<b>UL rated voltage</b>	600 V	600 V	600 V	
<b>UL rated current</b>	85 A	150 A	335 A	
<b>End Covers</b>	XW5E-S16			
<b>Applicable nameplates</b>	---	---	---	
<b>Applicable Short Bars</b>	XW5S-S16-□ (□: Poles = 2)	---	---	

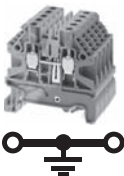
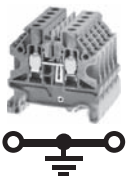
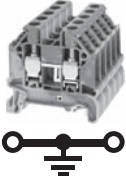
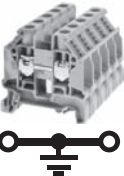
## Feed Through Terminal Blocks

Model		XW5T-S2.5-1.1-2	XW5T-S2.5-1.1-2V	XW5T-S4.0-1.2-1(BL)
Appearance and internal wiring		2 tiers, 2:2 	2 tiers, 2:2 	1 tier, 1:2 
Applicable wire sizes	NOMINAL CROSS SECTION	2.5 mm <sup>2</sup>	2.5 mm <sup>2</sup>	4.0 mm <sup>2</sup>
	Minimum conductor cross section solid	0.2 mm <sup>2</sup>	0.2 mm <sup>2</sup>	0.14 mm <sup>2</sup>
	Maximum conductor cross section solid	4.0 mm <sup>2</sup>	4.0 mm <sup>2</sup>	6.0 mm <sup>2</sup>
	Minimum conductor cross section fine stranded	0.14 mm <sup>2</sup>	0.14 mm <sup>2</sup>	0.14 mm <sup>2</sup>
	Maximum conductor cross section fine stranded	2.5 mm <sup>2</sup>	2.5 mm <sup>2</sup>	6.0 mm <sup>2</sup>
	Minimum conductor cross section (flex., stranded) with cable end sleeve	---	---	0.5 mm <sup>2</sup>
	Maximum conductor cross section (flex., stranded) with cable end sleeve	---	---	4.0 mm <sup>2</sup>
	Conductor cross section AWG	AWG22 to AWG12	AWG22 to AWG12	AWG26 to AWG10
Wire strip length	8 mm	8 mm	9 mm	
Tightening torque	0.4 Nm	0.4 Nm	0.5 Nm	
Dimensions	5×65.8×71.4	5×65.8×71.4	6×58×56	
Mounting rail	TH35	TH35	TH35	
IEC rated voltage	500 V	500 V	500 V	
IEC rated current	24 A	24 A	32 A	
Rated impulse voltage	6 kV	6 kV	6 kV	
UL rated voltage	600 V	600 V	300 V	
UL rated current	20 A	20 A	30 A	
End Covers	XW5E-S2.5N	XW5E-S2.5N	XW5E-S4.0-1.2-1	
Applicable nameplates	XW5Z-2.5LB□	XW5Z-2.5LB□	XW5Z-4.0LB□	
Applicable Short Bars	XW5S-S2.5-□N (□: Poles = 2, 3, 4, 5, or 10)	XW5S-S2.5-□N (□: Poles = 2, 3, 4, 5, or 10)	XW5S-S4.0-□ (□: Poles = 2, 3, 4, 5, or 10)	

## Feed Through Terminal Blocks

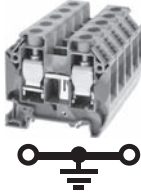
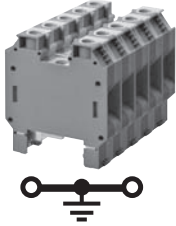
Model	XW5T-S4.0-2.2-1(BL)	XW5T-S4.0-1.1-2	XW5T-S4.0-1.1-2V	
Appearance and internal wiring	1 tier, 2:2 	2 tiers, 1:1 	2 tiers, 1:1 	
Applicable wire sizes	NOMINAL CROSS SECTION	4.0 mm <sup>2</sup>	4.0 mm <sup>2</sup>	4.0 mm <sup>2</sup>
	Minimum conductor cross section solid	0.14 mm <sup>2</sup>	0.14 mm <sup>2</sup>	0.14 mm <sup>2</sup>
	Maximum conductor cross section solid	6.0 mm <sup>2</sup>	6.0 mm <sup>2</sup>	6.0 mm <sup>2</sup>
	Minimum conductor cross section fine stranded	0.14 mm <sup>2</sup>	0.14 mm <sup>2</sup>	0.14 mm <sup>2</sup>
	Maximum conductor cross section fine stranded	6.0 mm <sup>2</sup>	6.0 mm <sup>2</sup>	6.0 mm <sup>2</sup>
	Minimum conductor cross section (flex., stranded) with cable end sleeve	0.5 mm <sup>2</sup>	0.5 mm <sup>2</sup>	0.5 mm <sup>2</sup>
	Maximum conductor cross section (flex., stranded) with cable end sleeve	4.0 mm <sup>2</sup>	4.0 mm <sup>2</sup>	4.0 mm <sup>2</sup>
	Conductor cross section AWG	AWG26 to AWG10	AWG26 to AWG10	AWG26 to AWG10
	Wire strip length	9 mm	9 mm	9 mm
Tightening torque	0.5 Nm	0.5 Nm	0.5 Nm	
Dimensions	6×69×58	6×73×75	6×73×75	
Mounting rail	TH35	TH35	TH35	
IEC rated voltage	500 V	800 V	800 V	
IEC rated current	32 A	32 A	32 A	
Rated impulse voltage	6 kV	8 kV	8 kV	
UL rated voltage	300 V	300 V	300 V	
UL rated current	30 A	30 A	30 A	
End Covers	XW5E-S4.0-2.2-1	XW5E-S4.0-1.1-2	XW5E-S4.0-1.1-2	
Applicable nameplates	XW5Z-4.0LB□	XW5Z-4.0LB□	XW5Z-4.0LB□	
Applicable Short Bars	XW5S-S4.0-□ (□: Poles = 2, 3, 4, 5, or 10)	XW5S-S4.0-□ (□: Poles = 2, 3, 4, 5, or 10)	XW5S-S4.0-□ (□: Poles = 2, 3, 4, 5, or 10)	

## Grounding Terminal Blocks

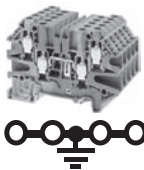
Model	XW5G-S2.5-1.1-1	XW5G-S4.0-1.1-1	XW5G-S6.0-1.1-1	XW5G-S10-1.1-1	
Appearance and internal wiring	1 tier, 1:1 	1 tier, 1:1 	1 tier, 1:1 	1 tier, 1:1 	
Applicable wire sizes	NOMINAL CROSS SECTION	2.5 mm <sup>2</sup>	4.0 mm <sup>2</sup>	6.0 mm <sup>2</sup>	10 mm <sup>2</sup>
	Minimum conductor cross section solid	0.14 mm <sup>2</sup>	0.14 mm <sup>2</sup>	0.2 mm <sup>2</sup>	0.5 mm <sup>2</sup>
	Maximum conductor cross section solid	4.0 mm <sup>2</sup>	6.0 mm <sup>2</sup>	10 mm <sup>2</sup>	16 mm <sup>2</sup>
	Minimum conductor cross section fine stranded	0.14 mm <sup>2</sup>	0.14 mm <sup>2</sup>	0.2 mm <sup>2</sup>	0.5 mm <sup>2</sup>
	Maximum conductor cross section fine stranded	4.0 mm <sup>2</sup>	6.0 mm <sup>2</sup>	10 mm <sup>2</sup>	16 mm <sup>2</sup>
	Minimum conductor cross section (flex., stranded) with cable end sleeve	0.5 mm <sup>2</sup>	0.5 mm <sup>2</sup>	0.5 mm <sup>2</sup>	0.5 mm <sup>2</sup>
	Maximum conductor cross section (flex., stranded) with cable end sleeve	2.5 mm <sup>2</sup>	4.0 mm <sup>2</sup>	6.0 mm <sup>2</sup>	10 mm <sup>2</sup>
	Conductor cross section AWG	AWG26 to AWG12	AWG26 to AWG10	AWG24 to AWG8	AWG20 to AWG6
	Wire strip length	9 mm	9 mm	11 mm	13 mm
Tightening torque	0.4 Nm	0.5 Nm	1.2 Nm	1.2 Nm	
Dimensions	5×48.2×56	6×48.2×56	8×48.2×56	10×48.2×56.2	
Mounting rail	TH35	TH35	TH35	TH35	
IEC rated voltage	1,000 V	1,000 V	1,000 V	1,000 V	
IEC rated current	---	---	---	---	
Rated impulse voltage	8 kV	8 kV	8 kV	8 kV	
UL rated voltage	600 V	600 V	600 V	600 V	
UL rated current	---	---	---	---	
End Covers	XW5E-S2.5	XW5E-S2.5	XW5E-S2.5	XW5E-S2.5	
Applicable nameplates	XW5Z-S2.5LB□	XW5Z-S4.0LB□	XW5Z-S6.0LB□	---	
Applicable Short Bars	---	---	---	---	





## Grounding Terminal Blocks

Model	XW5G-S16-1.1-1	XW5G-S35-1.1-1	
Appearance and internal wiring	1 tier, 1:1 	1 tier, 1:1 	
Applicable wire sizes	<b>NOMINAL CROSS SECTION</b>	16 mm <sup>2</sup>	35 mm <sup>2</sup>
	Minimum conductor cross section solid	1.5 mm <sup>2</sup>	10 mm <sup>2</sup>
	Maximum conductor cross section solid	16 mm <sup>2</sup>	35 mm <sup>2</sup>
	Minimum conductor cross section fine stranded	4.0 mm <sup>2</sup>	10 mm <sup>2</sup>
	Maximum conductor cross section fine stranded	25 mm <sup>2</sup>	35 mm <sup>2</sup>
	Minimum conductor cross section (flex., stranded) with cable end sleeve	1.5 mm <sup>2</sup>	---
	Maximum conductor cross section (flex., stranded) with cable end sleeve	16 mm <sup>2</sup>	---
	Conductor cross section AWG	AWG14 to AWG4	AWG10 to AWG2
Wire strip length	15 mm	20 mm	
Tightening torque	2 Nm	3 Nm	
Dimensions	12×58.5×62	16×63×75.1	
Mounting rail	TH35	TH35	
IEC rated voltage	1000 V	800 V	
IEC rated current	---	---	
Rated impulse voltage	8 kV	8 kV	
UL rated voltage	600 V	600 V	
UL rated current	---	---	
End Covers	XW5E-S16	---	
Applicable nameplates	---	---	
Applicable Short Bars	---	---	

## Grounding Terminal Blocks

<b>Model</b>		XW5G-S4.0-2.2-1
<b>Appearance and internal wiring</b>		<p>1 tier, 2:2</p> 
<b>Applicable wire sizes</b>	<b>NOMINAL CROSS SECTION</b>	4.0 mm <sup>2</sup>
	<b>Minimum conductor cross section solid</b>	0.14 mm <sup>2</sup>
	<b>Maximum conductor cross section solid</b>	6 mm <sup>2</sup>
	<b>Minimum conductor cross section fine stranded</b>	0.14 mm <sup>2</sup>
	<b>Maximum conductor cross section fine stranded</b>	6 mm <sup>2</sup>
	<b>Minimum conductor cross section (flex., stranded) with cable end sleeve</b>	0.5 mm <sup>2</sup>
	<b>Maximum conductor cross section (flex., stranded) with cable end sleeve</b>	4 mm <sup>2</sup>
	<b>Conductor cross section AWG</b>	AWG26 to AWG10
	<b>Wire strip length</b>	9 mm
<b>Tightening torque</b>		0.5 Nm
<b>Dimensions</b>		6×69×58
<b>Mounting rail</b>		TH35
<b>IEC rated voltage</b>		500 V
<b>IEC rated current</b>		---
<b>Rated impulse voltage</b>		6 kV
<b>UL rated voltage</b>		300 V
<b>UL rated current</b>		---
<b>End Covers</b>		XW5E-S4.0-2.2-1
<b>Applicable nameplates</b>		XW5Z-4.0LB□
<b>Applicable Short Bars</b>		---

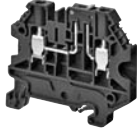
## Terminal Blocks with Fuses

Model		XW5T-S4.0-FU5	XW5T-S4.0-FU6
Appearance and internal wiring		1 tier, 1:1 	1 tier, 1:1 
Applicable wire sizes	NOMINAL CROSS SECTION	4.0 mm <sup>2</sup>	4.0 mm <sup>2</sup>
	Minimum conductor cross section solid	0.5 mm <sup>2</sup>	0.5 mm <sup>2</sup>
	Maximum conductor cross section solid	6 mm <sup>2</sup>	6 mm <sup>2</sup>
	Minimum conductor cross section fine stranded	0.5 mm <sup>2</sup>	0.5 mm <sup>2</sup>
	Maximum conductor cross section fine stranded	4 mm <sup>2</sup>	4 mm <sup>2</sup>
	Minimum conductor cross section (flex., stranded) with cable end sleeve	---	---
	Maximum conductor cross section (flex., stranded) with cable end sleeve	---	---
	Conductor cross section AWG	AWG22 to AWG10	AWG22 to AWG10
	Wire strip length	8 mm	8 mm
Tightening torque	0.5 Nm	0.5 Nm	
Dimensions	8×77.2×62	10×77.2×62	
Mounting rail	TH35	TH35	
IEC rated voltage	800 V	800 V	
IEC rated current	6.3 A	10 A	
Rated impulse voltage	8 kV	8 kV	
UL rated voltage	600 V	600 V	
UL rated current	15 A	15 A	
End Covers	---	---	
Applicable nameplates	---	---	
Applicable Short Bars	---	---	

### Technical Information for XW5T-S4.0-FU5, XW5T-S4.0-FU6

The fuse blocks of this type have a flip top disconnect lever. It accepts miniature fuses of 5×20, 5×25 and 5×30 mm (terminal width: 8 mm) or 6.3×32 mm (terminal width: 10 mm). The hinged lever has latch points both in the open and in the closed position, and can be sealed. Depending on the application and the installation method, the circumstances for increased temperature must be checked in the closed fuse holders. Higher ambient temperatures are an additional load for the fuse inserts. Therefore, the reduction of the rated current must be considered accordingly in these applications.

## Disconnect Terminal Blocks

Model		XW5T-S4.0-KD
Appearance and internal wiring		<p>1 tier, 1:1</p> 
Applicable wire sizes	NOMINAL CROSS SECTION	4.0 mm <sup>2</sup>
	Minimum conductor cross section solid	0.14 mm <sup>2</sup>
	Maximum conductor cross section solid	6 mm <sup>2</sup>
	Minimum conductor cross section fine stranded	0.14 mm <sup>2</sup>
	Maximum conductor cross section fine stranded	6 mm <sup>2</sup>
	Minimum conductor cross section (flex., stranded) with cable end sleeve	0.5 mm <sup>2</sup>
	Maximum conductor cross section (flex., stranded) with cable end sleeve	4 mm <sup>2</sup>
	Conductor cross section AWG	AWG26 to AWG10
	Wire strip length	9 mm
Tightening torque		0.5 Nm
Dimensions		6×58×58
Mounting rail		TH35
IEC rated voltage		500 V
IEC rated current		20 A
Rated impulse voltage		6 kV
UL rated voltage		300 V
UL rated current		16 A
End Covers		XW5E-S4.0-1.2-1
Applicable nameplates		XW5Z-S4.0LB□
Applicable Short Bars		XW5S-S4.0-□

## Short Bar

Model	XW5S-S2.5-□	XW5S-S4.0-□	XW5S-S6.0-□	XW5S-S10-□	XW5S-S16-□
IEC rated voltage	600 V			1,000 V	
IEC rated current	20 A	30 A	50 A	57 A	76 A
UL rated voltage	600 V				
UL rated current	20 A	30 A	50 A	65 A	85 A
Compliant standards	UL				
	IEC60947-7-1				

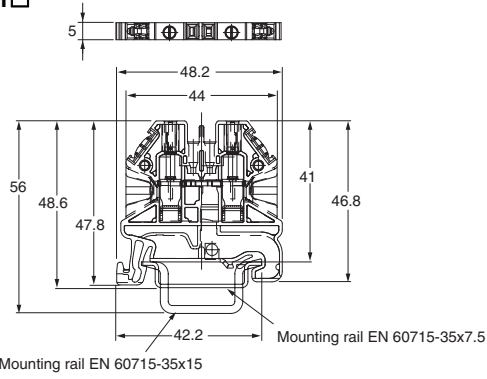
## Characteristics

Operating temperature range	-40 to 60°C (with no condensation or icing)
Insulating material	PA
Flammability rating according to UL 94	V0
Operating humidity	range 5% to 95%
Compliant standards	cULus (UL 1059), IEC 60947-7-1 and IEC 60947-7-2
Vibration resistance	5 to 150 Hz 0.964 (m/s <sup>2</sup> )/Hz
Shock resistance	50 m/s <sup>2</sup> 30 ms according EN 61373

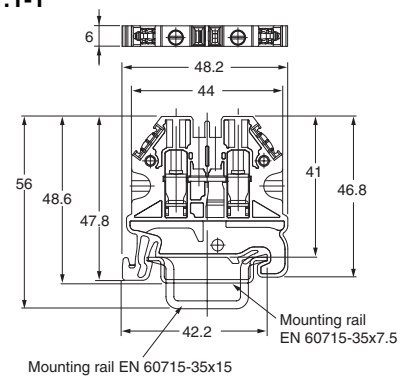
# Dimensions

## Feed Through Terminal Blocks

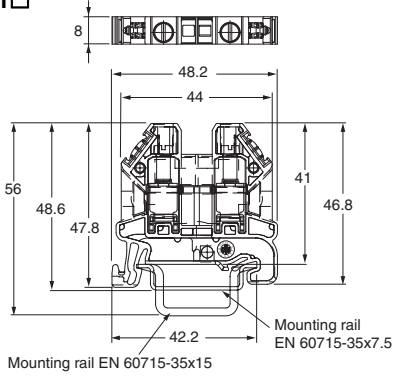
**XW5T-S2.5-1.1-1□**



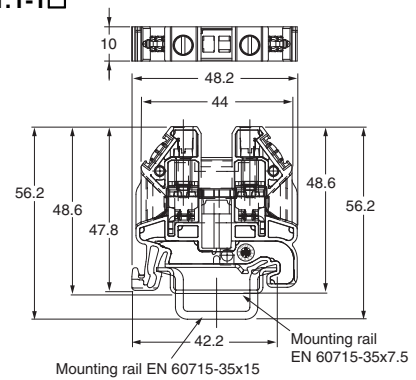
**XW5T-S4.0-1.1-1**



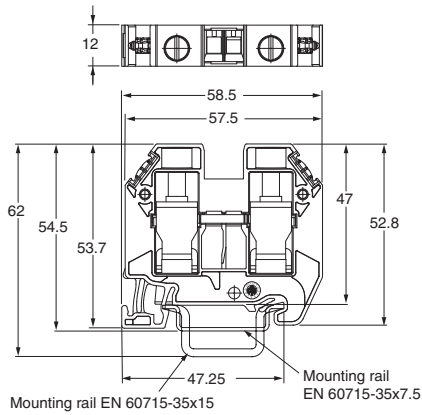
**XW5T-S6.0-1.1-1□**



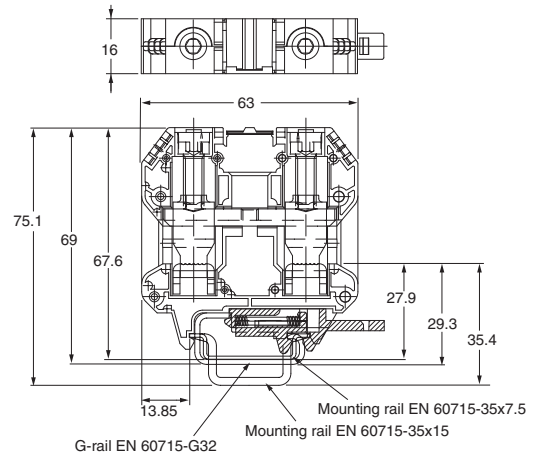
**XW5T-S10-1.1-1□**



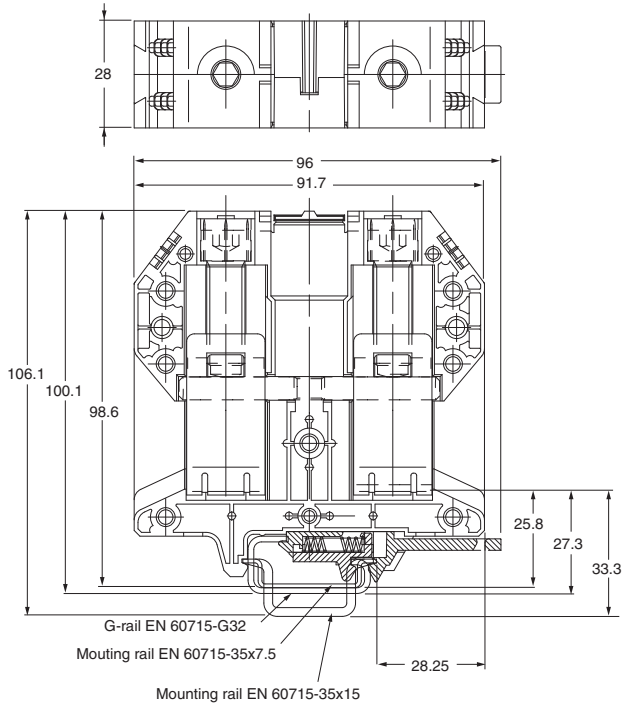
**XW5T-S16-1.1-1□**



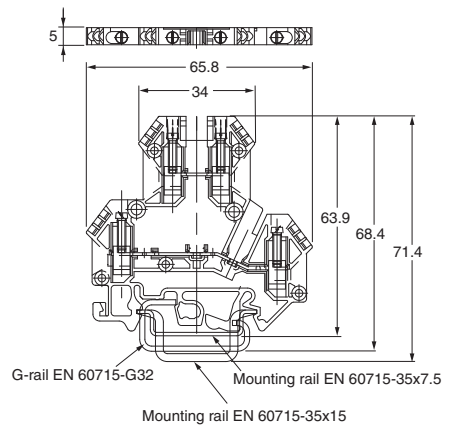
**XW5T-S35-1.1-1□**



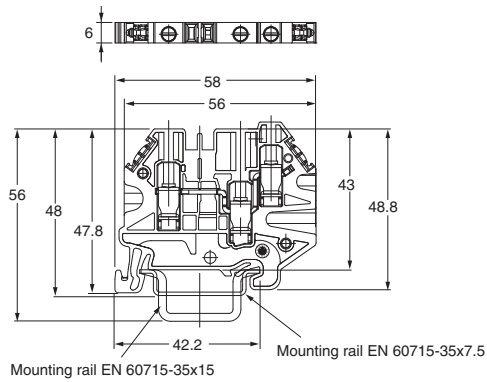
**XW5T-S150-1.1-1□**



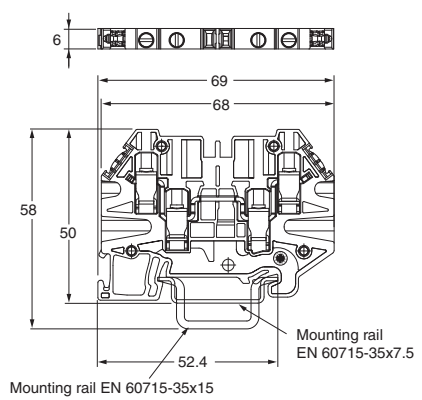
**XW5T-S2.5-1.1-2□**



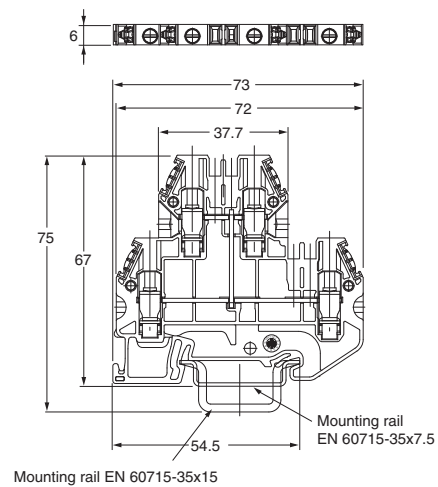
**XW5T-S4.0-1.2-1**



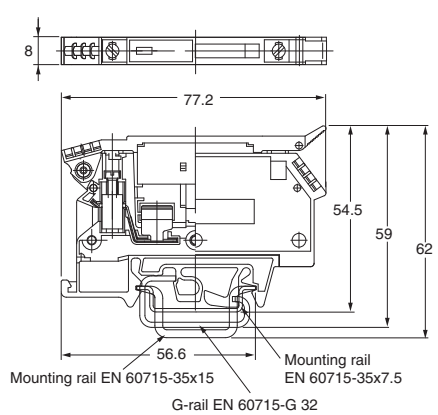
**XW5T-S4.0-2.2-1**



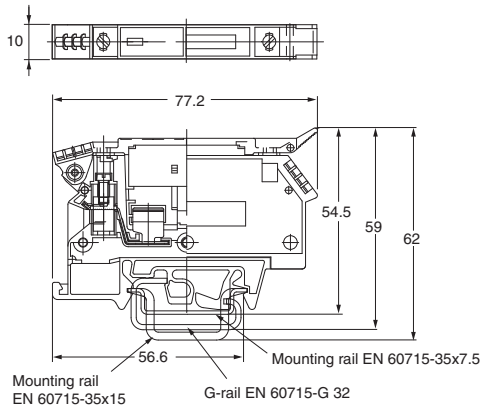
**XW5T-S4.0-1.1-2□**



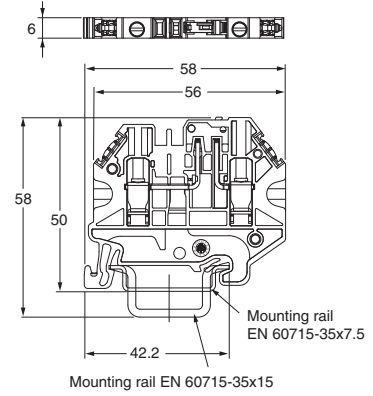
**XW5T-S4.0-FU5**



**XW5T-S4.0-FU6**

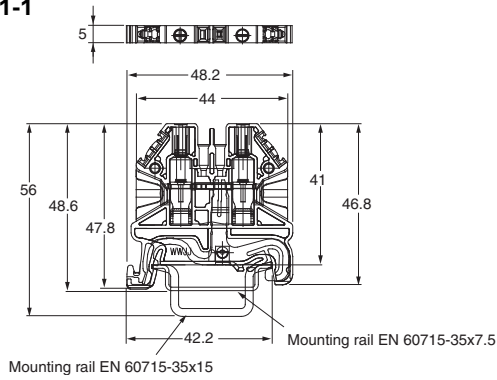


**XW5T-S4.0-KD**

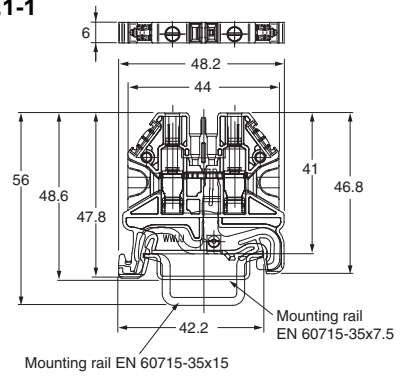


**Grounding Terminal Blocks**

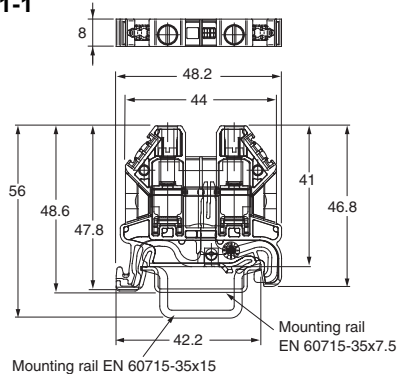
**XW5G-S2.5-1.1-1**



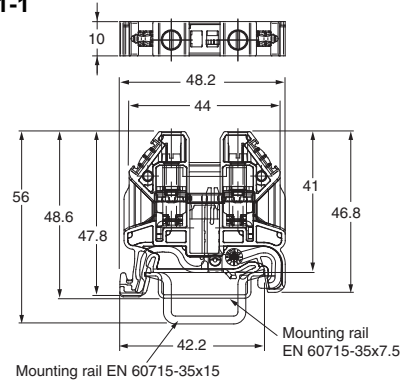
**XW5G-S4.0-1.1-1**



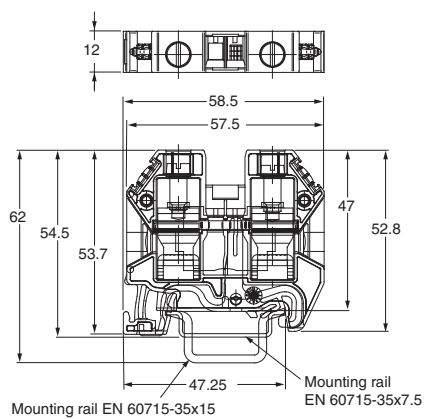
**XW5G-S6.0-1.1-1**



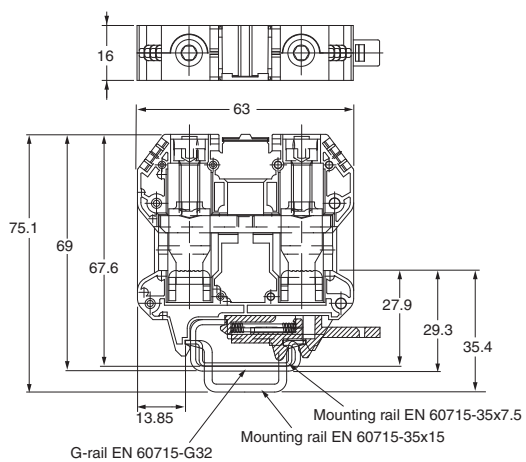
**XW5G-S10-1.1-1**



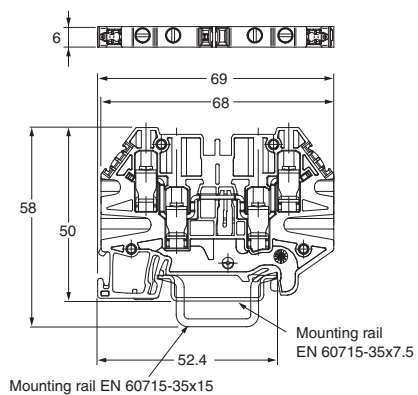
## XW5G-S16-1.1-1



## XW5G-S35-1.1-1



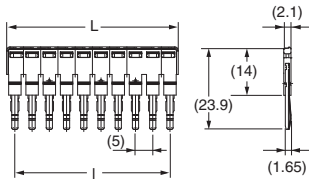
## XW5G-S4.0-2.2-1





Short Bars

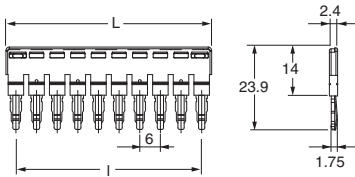
XW5S-S2.5-□



For XW5□-S2.5-□

Model	l (mm)	L (mm)
XW5S-S2.5-2	5	10
XW5S-S2.5-5	20	25
XW5S-S2.5-10	45	50

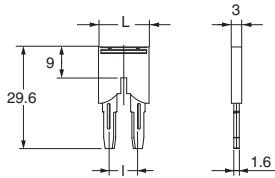
XW5S-S4.0-□



For XW5□-S4.0-□

Model	l (mm)	L (mm)
XW5S-S4.0-2	6	12
XW5S-S4.0-3	12	18
XW5S-S4.0-4	18	24
XW5S-S4.0-5	24	30
XW5S-S4.0-10	54	60

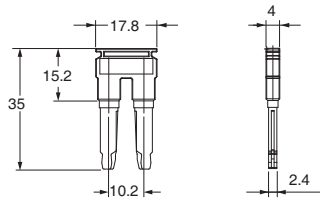
XW5S-S6.0-□



For XW5□-S6.0-□

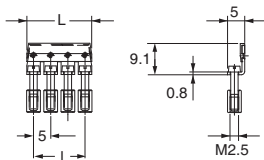
Model	l (mm)	L (mm)
XW5S-S6.0-2	8.2	14.7
XW5S-S6.0-3	16.4	22.9
XW5S-S6.0-5	32.8	39.3

XW5S-S10-2



Cross Connector with Screw

XW5S-S2.5-□N

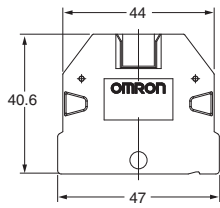


For XW5□-S2.5-1.1-2□

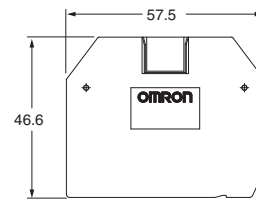
Model	l (mm)	L (mm)
XW5S-S2.5-2N	5	8.9
XW5S-S2.5-4N	15	18.9
XW5S-S2.5-10N	45	48.9

## End Covers

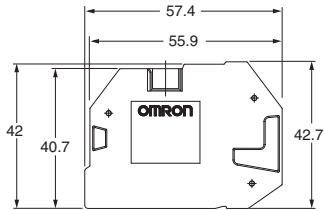
**XW5E-S2.5**



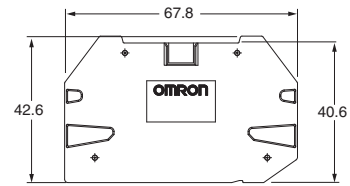
**XW5E-S16**



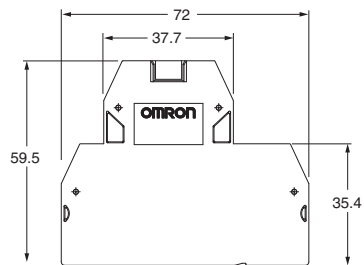
**XW5E-S4.0-1.2-1**



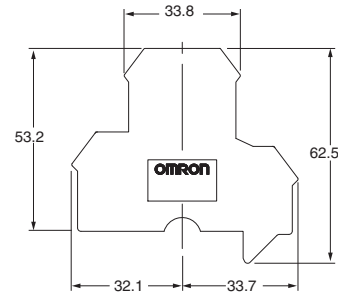
**XW5E-S4.0-2.2-1**



**XW5E-S4.0-1.1-2**

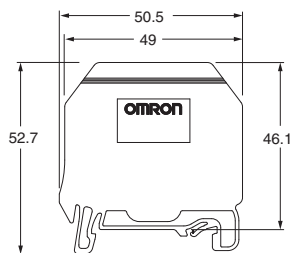


**XW5E-S2.5N**



## Separator Plates

**XW5Z-S2.5PT**

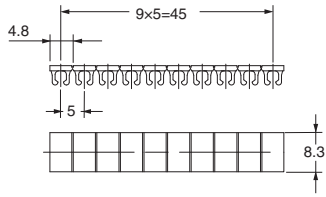


---

**Label**

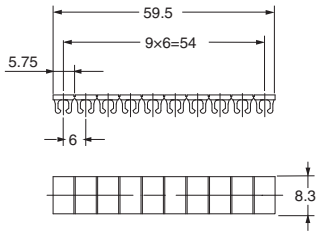
---

**XW5Z-S2.5□**



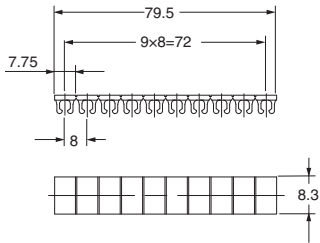
---

**XW5Z-S4.0□**



---

**XW5Z-S6.0□**



## Safety Precautions

Be sure to read the precautions for all models in the website at the following URL: <http://www.ia.omron.com/>.

### Signal Word Definitions

<b>Precautions for Safe Use</b>	Supplementary comments on what to do or avoid doing, to use the product safely.
<b>Precautions for Correct Use</b>	Supplementary comments on what to do or avoid doing, to prevent failure to operate, malfunction, or undesirable effects on product performance.

### Precautions for Safe Use

- Do not bend a wire past its natural bending radius or pull on it with excessive force.  
Doing so may cause the wire disconnection.
- Do not insert more than one wire into each terminal insertion hole.
- Before you start wiring, make sure that the Terminal Block is securely attached and mounted to a DIN Track.  
If the Terminal Block is not stable, it may fall and possibly injure a worker.
- Do not install the Terminal Block upside down when mounting multiple Terminal Blocks.  
Doing so may cause short circuits with the adjacent Terminal Block.

### Precautions for Correct Use

## 1. Precautions for Correct Use

- Do not drop the Terminal Block. Terminal Block functionality may be inhibited.
- Always attach End Cover. Not doing so may cause electrical shock.
- When you wire the Terminal Block, do not subject it or the wires to stress. Secure the wires so that they do not resonate with vibrations from the facilities in installation conditions.
- Always turn OFF the power supply before wiring. Electrical shock may occur.

## 2. Connecting Wires to the Terminal Block

### Wiring

- Double-check all wiring before turning ON the power supply.
- After wiring, route the cable so that force is not applied directly to the connections.

### Wires for Terminal Blocks

- Do not damage the cores when stripping the insulation from them.
- Always twist stranded wires together before connecting them.
- Do not presolder wires. It may not be possible to connect them or remove them.

### Screw Tightening Torque and Applicable Wires

When you connect wires to a Terminal Block, use the applicable wires and tightening torque given in the following table.

Model	Wiring method	Tightening torque [N·m] (Use a flat-blade screwdriver.)	Applicable wire sizes	Applicable wire sizes with ferrules attached
XW5□-S2.5	M2.5	0.4	AWG26-AWG12	AWG20-AWG14
XW5□-S4.0	M3	0.5	AWG26-AWG10	AWG20-AWG12
XW5□-S6.0	M4	1.2	AWG24-AWG8	AWG20-AWG10
XW5□-S10	M4	1.2	AWG20-AWG6	AWG20-AWG8
XW5□-S16	M5	2	AWG12-AWG4	AWG12-AWG6
XW5□-S35	M6	2.5	AWG10-AWG1/0	AWG10-AWG2
XW5□-S150	M10	4	AWG2/0-350kcmil	AWG2/0-300kcmil

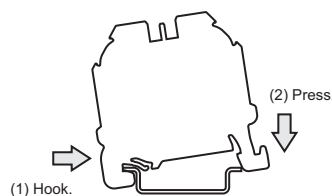
### Wire Stripping Lengths

If you connect wires directly to the terminals, use the following stripping lengths.

Model	Stripping length [mm]
XW5□-S2.5	9
XW5□-S4.0	9
XW5□-S6.0	11
XW5□-S10	13
XW5□-S16	15
XW5□-S35	18
XW5□-S150	30

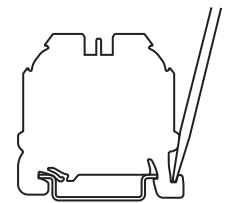
## 3. Mounting to and Removing from DIN Track

### Mounting Procedure



- Hook the Unit on the DIN Track.
- Press the Unit onto the DIN Track to secure it.

### Removal Procedure



- Insert a flat-blade screwdriver into the DIN Track lock.
- Move the screwdriver like a lever to free the lock.

# Terms and Conditions Agreement

## **Read and understand this catalog.**

Please read and understand this catalog before purchasing the products. Please consult your OMRON representative if you have any questions or comments.

## **Warranties.**

- (a) Exclusive Warranty. Omron's exclusive warranty is that the Products will be free from defects in materials and workmanship for a period of twelve months from the date of sale by Omron (or such other period expressed in writing by Omron). Omron disclaims all other warranties, express or implied.
- (b) Limitations. OMRON MAKES NO WARRANTY OR REPRESENTATION, EXPRESS OR IMPLIED, ABOUT NON-INFRINGEMENT, MERCHANTABILITY OR FITNESS FOR A PARTICULAR PURPOSE OF THE PRODUCTS. BUYER ACKNOWLEDGES THAT IT ALONE HAS DETERMINED THAT THE PRODUCTS WILL SUITABLY MEET THE REQUIREMENTS OF THEIR INTENDED USE.

Omron further disclaims all warranties and responsibility of any type for claims or expenses based on infringement by the Products or otherwise of any intellectual property right. (c) Buyer Remedy. Omron's sole obligation hereunder shall be, at Omron's election, to (i) replace (in the form originally shipped with Buyer responsible for labor charges for removal or replacement thereof) the non-complying Product, (ii) repair the non-complying Product, or (iii) repay or credit Buyer an amount equal to the purchase price of the non-complying Product; provided that in no event shall Omron be responsible for warranty, repair, indemnity or any other claims or expenses regarding the Products unless Omron's analysis confirms that the Products were properly handled, stored, installed and maintained and not subject to contamination, abuse, misuse or inappropriate modification. Return of any Products by Buyer must be approved in writing by Omron before shipment. Omron Companies shall not be liable for the suitability or unsuitability or the results from the use of Products in combination with any electrical or electronic components, circuits, system assemblies or any other materials or substances or environments. Any advice, recommendations or information given orally or in writing, are not to be construed as an amendment or addition to the above warranty.

See <http://www.omron.com/global/> or contact your Omron representative for published information.

## **Limitation on Liability: Etc.**

OMRON COMPANIES SHALL NOT BE LIABLE FOR SPECIAL, INDIRECT, INCIDENTAL, OR CONSEQUENTIAL DAMAGES, LOSS OF PROFITS OR PRODUCTION OR COMMERCIAL LOSS IN ANY WAY CONNECTED WITH THE PRODUCTS, WHETHER SUCH CLAIM IS BASED IN CONTRACT, WARRANTY, NEGLIGENCE OR STRICT LIABILITY.

Further, in no event shall liability of Omron Companies exceed the individual price of the Product on which liability is asserted.

## **Suitability of Use.**

Omron Companies shall not be responsible for conformity with any standards, codes or regulations which apply to the combination of the Product in the Buyer's application or use of the Product. At Buyer's request, Omron will provide applicable third party certification documents identifying ratings and limitations of use which apply to the Product. This information by itself is not sufficient for a complete determination of the suitability of the Product in combination with the end product, machine, system, or other application or use. Buyer shall be solely responsible for determining appropriateness of the particular Product with respect to Buyer's application, product or system. Buyer shall take application responsibility in all cases.

NEVER USE THE PRODUCT FOR AN APPLICATION INVOLVING SERIOUS RISK TO LIFE OR PROPERTY OR IN LARGE QUANTITIES WITHOUT ENSURING THAT THE SYSTEM AS A WHOLE HAS BEEN DESIGNED TO ADDRESS THE RISKS, AND THAT THE OMRON PRODUCT(S) IS PROPERLY RATED AND INSTALLED FOR THE INTENDED USE WITHIN THE OVERALL EQUIPMENT OR SYSTEM.

## **Programmable Products.**

Omron Companies shall not be responsible for the user's programming of a programmable Product, or any consequence thereof.

## **Performance Data.**

Data presented in Omron Company websites, catalogs and other materials is provided as a guide for the user in determining suitability and does not constitute a warranty. It may represent the result of Omron's test conditions, and the user must correlate it to actual application requirements. Actual performance is subject to the Omron's Warranty and Limitations of Liability.

## **Change in Specifications.**

Product specifications and accessories may be changed at any time based on improvements and other reasons. It is our practice to change part numbers when published ratings or features are changed, or when significant construction changes are made. However, some specifications of the Product may be changed without any notice. When in doubt, special part numbers may be assigned to fix or establish key specifications for your application. Please consult with your Omron's representative at any time to confirm actual specifications of purchased Product.

## **Errors and Omissions.**

Information presented by Omron Companies has been checked and is believed to be accurate; however, no responsibility is assumed for clerical, typographical or proofreading errors or omissions.

**Note: Do not use this document to operate the Unit.**

**OMRON Corporation Industrial Automation Company**

**Kyoto, JAPAN**

**Contact : [www.ia.omron.com](http://www.ia.omron.com)**

**Regional Headquarters**

**OMRON EUROPE B.V.**

Wegalaan 67-69, 2132 JD Hoofddorp  
The Netherlands  
Tel: (31) 2356-81-300 Fax: (31) 2356-81-388

**OMRON ELECTRONICS LLC**

2895 Greenspoint Parkway, Suite 200  
Hoffman Estates, IL 60169 U.S.A.  
Tel: (1) 847-843-7900 Fax: (1) 847-843-7787

**OMRON ASIA PACIFIC PTE. LTD.**

438B Alexandra Road, #08-01/02 Alexandra  
Technopark, Singapore 119968  
Tel: (65) 6835-3011 Fax: (65) 6835-3011

**OMRON (CHINA) CO., LTD.**

Room 2211, Bank of China Tower,  
200 Yin Cheng Zhong Road,  
PuDong New Area, Shanghai, 200120, China  
Tel: (86) 21-6023-0333 Fax: (86) 21-5037-2388

**Authorized Distributor:**

©OMRON Corporation 2016-2024 All Rights Reserved.  
In the interest of product improvement,  
specifications are subject to change without notice.

**CSM\_1\_6**

**Cat. No. G125-E1-04 0724 (0316)**