

Smart Fiber Amplifier Units

E3NX-FA

CSM_E3NX-FA_DS_E_16_7

A Smart Fiber Amplifier Unit with Ultra-stable Detection and Ultra-easy Setup



- Improved basic performance with 1.5 times the sensing distance and approx. 1/10th the minimum sensing object.*
- Ultra-easy setup with Smart Tuning with a light intensity adjustment range expanded 20 times to 40,000:1. Optimum stable detection achieved with light intensity adjustment even for saturated incident light.
- White on black display characters for high visibility.
- Solution Viewer that shows the passing time and difference in incident levels and Change Finder that allows you to see display values even for fast workpieces.



* Compared to the E3X-HD.

For the most recent information on models that have been certified for safety standards, refer to your OMRON website.






Refer to the Safety Precautions on page 17.

Ordering Information

Fiber Amplifier Units (Dimensions → pages 19 and 20)

| Type | Connecting method | Appearance | Inputs/outputs | Model | |
|-----------------|-----------------------|------------|---------------------|----------------------|--------------|
| | | | | NPN output | PNP output |
| Standard models | Pre-wired (2 m) | | 1 output | E3NX-FA11 2M | E3NX-FA41 2M |
| | | | | E3NX-FA11-5 2M *1 | --- |
| | Wire-saving Connector | | 1 output | E3NX-FA6 | E3NX-FA8 |
| Advanced models | Pre-wired (2 m) | | 2 outputs + 1 input | E3NX-FA21 2M | E3NX-FA51 2M |
| | | | 1 output + 1 input | E3NX-FA7 | E3NX-FA9 |
| | Wire-saving Connector | | 2 outputs | E3NX-FA7TW | E3NX-FA9TW |
| | | | 1 output + 1 input | E3NX-FA24 | E3NX-FA54 |
| | M8 Connector | | 2 outputs | --- | E3NX-FA54TW |

*1. This type can prevent mutual interference for two units in the SHS2 mode.





| Type | Connecting method | Appearance | Inputs/outputs | Model | |
|---|--|--|----------------|----------------|----------------|
| | | | | NPN output | PNP output |
| Infrared models | Pre-wired (2 m) |  | 1 output | E3NX-FAH11 2M | E3NX-FAH41 2M |
| | Wire-saving Connector |  | 1 output | E3NX-FAH6 | E3NX-FAH8 |
| Analog output models | Pre-wired (2 m) |  | 2 outputs | E3NX-FA11AN 2M | E3NX-FA41AN 2M |
| Model for Sensor Communications Unit *2 | Connector for Sensor Communications Unit |  | --- | E3NX-FA0 | |
| | Connector for Sensor Communications Unit Pre-wired (2 m) |  | 1 output | E3NX-FA10 2M | E3NX-FA40 2M |

*2. A Sensor Communications Unit is required if you want to use the Fiber Amplifier Unit on a network.

Accessories (Sold Separately)



Wire-saving Connectors (Required for models for Wire-saving Connectors.) (Dimensions → page 21)

Connectors are not provided with the Fiber Amplifier Unit and must be ordered separately. Note: Protective stickers are provided.

| Type | Appearance | Cable length | No. of conductors | Model | Applicable Fiber Amplifier Units |
|------------------|---|--------------|-------------------|----------|--|
| Master Connector |  | 2 m | 4 | E3X-CN21 | E3NX-FA7 E3NX-FA7TW E3NX-FA9 E3NX-FA9TW |
| Slave Connector |  | | 2 | E3X-CN22 | |
| Master Connector |  | | 3 | E3X-CN11 | E3NX-FA6 E3NX-FA8 E3NX-FAH6 E3NX-FAH8 |
| Slave Connector |  | | 1 | E3X-CN12 | |

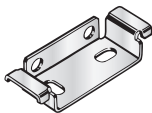
Sensor I/O Connectors (Required for models for M8 Connectors.) (Dimensions → page 21)

Connectors are not provided with the Fiber Amplifier Unit and must be ordered separately.

| Size | Cable | Appearance | Cable type | | Model |
|------|----------------|--|------------|--------|-----------------|
| M8 | Standard cable | Straight  | 2m | 4-wire | XS3F-M421-402-A |
| | | | 5m | | XS3F-M421-405-A |
| | | L-shaped  | 2m | | XS3F-M422-402-A |
| | | | 5m | | XS3F-M422-405-A |

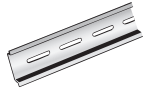
Mounting Bracket (Dimensions → page 22)

A Mounting Bracket is not provided with the Fiber Amplifier Unit. It must be ordered separately as required.

| Appearance | Model | Quantity |
|---|----------|----------|
|  | E39-L143 | 1 |


DIN Track (Dimensions → page 22)

A DIN Track is not provided with the Fiber Amplifier Unit. It must be ordered separately as required.

| Appearance | Type | Model | Quantity |
|---|-----------------------------------|-----------|----------|
|  | Shallow type, total length: 1 m | PFP-100N | 1 |
| | Shallow type, total length: 0.5 m | PFP-50N | |
| | Deep type, total length: 1 m | PFP-100N2 | |

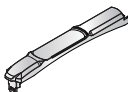
End Plate (Dimensions → page 22)

Two End Plates are provided with the Sensor Communications Unit. End Plates are not provided with the Fiber Amplifier Unit. They must be ordered separately as required.

| Appearance | Model | Quantity |
|---|-------|----------|
|  | PFP-M | 1 |





Cover

Attach these Covers to Amplifier Units. Order a Cover when required, e.g., if you lose the covers.

| Appearance | Model | Quantity |
|---|---------------------|----------|
|  | E39-G25 FOR E3NX-FA | 1 |

Related Products

Sensor Communications Units

| Type | Appearance | Model |
|---|---|-------------|
| Sensor Communications Unit for EtherCAT |  | E3NW-ECT |
| Sensor Communications Unit for CompoNet |  | E3NW-CRT *1 |
| Sensor Communications Unit for CC-Link |  | E3NW-CCL |
| Distributed Sensor Unit *2 |  | E3NW-DS |

Refer to your OMRON website for details.

*1. E3NX-FAH0 can not be connected.

*2. The Distributed Sensor Unit can be connected to any of the Sensor Communications Units.

EtherCAT® is a registered trademark and patented technology, licensed by Beckhoff Automation GmbH, Germany.

CompoNet is a registered trademark of the ODVA. CC-Link is a registered trademark of Mitsubishi Electric Corporation. The trademark is managed by the CC-Link Partner Association.

Ratings and Specifications

Standard models/ Advanced models/ Infrared models

| Item | Type | Standard models | | | Advanced models | | | | | Infrared models | |
|--|---|--|-----------------------|---------------|-----------------|-----------------------|--------------|-----------|-------------|-----------------------|-----------|
| | NPN output | E3NX-FA11 | E3NX-FA6 | E3NX-FA11-5*1 | E3NX-FA21 | E3NX-FA7 | E3NX-FA7TW | E3NX-FA24 | --- | E3NX-FAH11 | E3NX-FAH6 |
| | PNP output | E3NX-FA41 | E3NX-FA8 | --- | E3NX-FA51 | E3NX-FA9 | E3NX-FA9TW | E3NX-FA54 | E3NX-FA54TW | E3NX-FAH41 | E3NX-FAH8 |
| Inputs/ outputs | Connecting method | Pre-wired | Wire-saving Connector | Pre-wired | Pre-wired | Wire-saving Connector | M8 Connector | | Pre-wired | Wire-saving Connector | |
| | Outputs | 1 output | | | 2 outputs | 1 output | 2 outputs | 1 output | 2 outputs | 1 outputs | |
| Light source (wavelength) | External inputs | --- | | | 1 input | 1 input | --- | 1 input | --- | --- | |
| | Power supply voltage | 10 to 30 VDC, including 10% ripple (p-p) | | | | | | | | | |
| Power consumption *2 | Standard Models: | At Power supply voltage of 24 VDC Normal mode : 840 mW max. (Current consumption at 35 mA max.) Eco function ON : 650 mW max. (Current consumption at 27 mA max.) Eco function LO : 750 mW max. (Current consumption at 31 mA max.) | | | | | | | | | |
| | Advanced Models or Model for Sensor Communications Unit: | Normal mode : 920 mW max. (Current consumption at 38 mA max.) Eco function ON : 680 mW max. (Current consumption at 28 mA max.) Eco function LO : 800 mW max. (Current consumption at 33 mA max.) | | | | | | | | | |
| Control output | Infrared models: | Normal mode : 1080 mW max. (Current consumption at 45 mA max.) Eco function ON : 920 mW max. (Current consumption at 38 mA max.) Eco function LO : 1020 mW max. (Current consumption at 42 mA max.) | | | | | | | | | |
| | Load power supply voltage: 30 VDC max., open-collector output (depends on the NPN/PNP output format) | Load current: Groups of 1 to 3 Amplifier Units: 100 mA max., Groups of 4 to 30 Amplifier Units: 20 mA max. Residual voltage: At load current of less than 10 mA: 1 V max. At load current of 10 to 100 mA: 2 V max. OFF current: 0.1 mA max. | | | | | | | | | |
| External inputs | --- | Refer to *3. | | | --- | Refer to *3. | | --- | --- | | |
| Indicators | 7-segment displays (Sub digital display: green, Main digital display: white) Display direction: Switchable between normal and reversed. OUT indicator (orange), L/D indicator (orange), ST indicator (blue), DPC indicator (green), and OUT selection indicator (orange, only on models with 2 outputs) | | | | | | | | | | |
| Protection circuits | Power supply reverse polarity protection, output short-circuit protection, and output reverse polarity protection | | | | | | | | | | |
| Response time | Super-high-speed mode (SHS) | Operate or reset for model with 1 output: 30 μs (Super High Speed mode (SHS2) of E3NX-FA11-5 is 60 μs each), with 2 outputs: 32 μs | | | | | | | | | |
| | High-speed mode (HS) | Operate or reset: 250 μs | | | | | | | | | |
| | Standard mode (Stnd) | Operate or reset: 1 ms | | | | | | | | | |
| | Giga-power mode (GIGA) | Operate or reset: 16 ms | | | | | | | | | |
| Sensitivity adjustment | Smart Tuning (2-point tuning, full auto tuning, position tuning, maximum sensitivity tuning, power tuning, or percentage tuning (-99% to 99%)) or manual adjustment | | | | | | | | | | |
| Maximum connectable Units | 30 | | | | | | | | | | |
| No. of Units for mutual interference prevention *4 | Super-high-speed mode (SHS) | 0 Note: 2 units when the detection mode is set to Super High Speed mode (SHS2), and for other models, the mutual interference prevention function is disabled. | | | | | | | | | |
| | High-speed mode (HS) | 10 | | | | | | | | | |
| | Standard mode (Stnd) | 10 | | | | | | | | | |
| | Giga-power mode (GIGA) | 10 | | | | | | | | | |

*1. This type can prevent mutual interference for two units in the SHS2 mode.

*2. At Power supply voltage of 10 to 30 VDC

Standard Models:

Normal mode : 990 mW max. (Current consumption: 33 mA max. at 30 VDC, 65 mA max. at 10 VDC)

Eco function ON : 780 mW max. (Current consumption: 26 mA max. at 30 VDC, 42 mA max. at 10 VDC)

Eco function LO : 840 mW max. (Current consumption: 28 mA max. at 30 VDC, 45 mA max. at 10 VDC)

Advanced Models:

Normal mode : 1,020 mW max. (Current consumption: 34 mA max. at 30 VDC, 67 mA max. at 10 VDC)

Eco function ON : 810 mW max. (Current consumption: 27 mA max. at 30 VDC, 44 mA max. at 10 VDC)

Eco function LO : 870 mW max. (Current consumption: 29 mA max. at 30 VDC, 48 mA max. at 10 VDC)

Infrared models:

Normal mode : 1,260 mW max. (Current consumption: 42 mA max. at 30 VDC, 80 mA max. at 10 VDC)

Eco function ON : 1,050 mW max. (Current consumption: 35 mA max. at 30 VDC, 60 mA max. at 10 VDC)

Eco function LO : 1,140 mW max. (Current consumption: 38 mA max. at 30 VDC, 70 mA max. at 10 VDC)

*3. The following details apply to the input.

| | Contact input (relay or switch) | Non-contact input (transistor) | Input time *3-1 |
|-----|---|--|----------------------------------|
| NPN | ON: Shorted to 0 V (Sourcing current: 1 mA max.). OFF: Open or shorted to Vcc. | ON: 1.5 V max. (Sourcing current: 1 mA max.) OFF: Vcc - 1.5 V to Vcc (Leakage current: 0.1 mA max.) | ON: 9 ms min. OFF: 20 ms min. |
| PNP | ON: Shorted to Vcc (Sinking current: 3 mA max.). OFF: Open or shorted to 0 V. | ON: Vcc - 1.5 V to Vcc (Sinking current: 3 mA max.) OFF: 1.5 V max. (Leakage current: 0.1 mA max.) | |

*3-1. Input time is 25 ms (ON)/(OFF) only when (in tUnE) or (in PtUn) input is selected.

*4. The tuning will not change the number of units. The least unit count among the mutual interference prevention units of E3NX and E3NC. Check the mutual interference prevention unit count and response speed of each model.

| Item | Type | Standard models | | | Advanced models | | | | | Infrared models | |
|--------------------------------------|--|---|---|---|---|---|---|---|-------------|--------------------------|---|
| | NPN output | E3NX-FA11 | E3NX-FA6 | E3NX-FA11-5*1 | E3NX-FA21 | E3NX-FA7 | E3NX-FA7TW | E3NX-FA24 | --- | E3NX-FAH11 | E3NX-FAH6 |
| | PNP output | E3NX-FA41 | E3NX-FA8 | --- | E3NX-FA51 | E3NX-FA9 | E3NX-FA9TW | E3NX-FA54 | E3NX-FA54TW | E3NX-FAH41 | E3NX-FAH8 |
| Connectin g method | Pre-wired | Wire-saving Connector | Pre-wired | Pre-wired | Wire-saving Connector | | M8 Connector | | Pre-wired | Wire-saving Connector | |
| Functions | Automatic power control (APC) | Always enabled. | | | | | | | | | |
| | Dynamic power control (DPC) | Provided | | | | | | | | | |
| | Timer | Select from timer disabled, OFF-delay, ON-delay, one-shot, or ON-delay + OFF-delay timer: 1 to 9,999 ms | | | | | | | | | |
| | Zero reset | Negative values can be displayed. (Threshold value is shifted.) | | | | | | | | | |
| | Resetting settings *5 | Select from initial reset (factory defaults) or user reset (saved settings). | | | | | | | | | |
| | Eco mode *6 | Select from OFF (digital display lit), Eco ON (digital display not lit), and Eco LO (digital display dimmed). | | | | | | | | | |
| | Bank switching | Select from banks 1 to 4. | | | | | | | | | |
| | Power tuning | Select from ON, OFF or Execution on power-up. | | | | | | | | | Select from ON or OFF. |
| | Output 1 | Select from normal detection mode, area detection mode or differential detection mode. | | | | | | | | | Select from normal detection mode or area detection mode. |
| | Output 2 | --- | | Select from normal detection mode, alarm output mode, error output mode or differential detection mode. | --- | Select from normal detection mode, alarm output mode, error output mode or differential detection mode. | --- | Select from normal detection mode, alarm output mode, error output mode or differential detection mode. | --- | | |
| External input | --- | | Select from input OFF, tuning, power tuning, emission OFF, Sensor OFF, zero reset, or bank switching. | --- | Select from input OFF, tuning, power tuning, emission OFF, Sensor OFF, zero reset, or bank switching. | --- | Select from input OFF, tuning, power tuning, emission OFF, Sensor OFF, zero reset, or bank switching. | --- | | | |
| Hysteresis width | Select from standard setting or user setting. For a user setting, the hysteresis width can be set from 0 to 9,999. | | | | | | | | | | |
| Ambient illumination (Receiver side) | Incandescent lamp: 20,000 lx max., Sunlight: 30,000 lx max. | | | | | | | | | | |
| Ambient temperature range *7 | Operating: Groups of 1 or 2 Amplifier Units: -25 to 55°C, Groups of 3 to 10 Amplifier Units: -25 to 50°C, Groups of 11 to 16 Amplifier Units: -25 to 45°C, Groups of 17 to 30 Amplifier Units: -25 to 40°C Storage: -30 to 70°C (with no icing or condensation) | | | | | | | | | | |
| Ambient humidity range | Operating and storage: 35 to 85% (with no condensation) within the surrounding air temperature range shown above | | | | | | | | | | |
| Altitude | 2,000 m max. | | | | | | | | | | |
| Installation environment | Pollution degree 3 | | | | | | | | | | |
| Insulation resistance | 20 MΩ min. (at 500 VDC) | | | | | | | | | | |
| Dielectric strength | 1,000 VAC at 50/60 Hz for 1 min | | | | | | | | | | |
| Vibration resistance (destruction) | 10 to 55 Hz with a 1.5-mm double amplitude for 2 hours each in X, Y, and Z directions | | | | | | | | | | |
| Shock resistance (destruction) | 500 m/s ² for 3 times each in X, Y, and Z directions | | | | | | | | | | |
| Weight (packed state/Sensor only) | Approx. 115 g/ approx. 75 g | Approx. 60g/ approx. 20g | Approx. 115 g/ approx. 75 g | Approx. 115 g/ approx. 75 g | Approx. 60g/ approx. 20g | Approx. 65 g/ approx. 25 g | Approx. 115 g/ approx. 75 g | Approx. 60g/ approx. 20g | | | |
| Materials | Case | Polycarbonate (PC) | | | | | | | | | |
| | Cover | Polycarbonate (PC) | | | | | | | | | |
| | Cable | PVC | | | | | | | | | |
| Accessories | Instruction Manual | | | | | | | | | | |

*5. The bank is not reset by the user reset function or saved by the user save function.

*6. Eco LO is supported for Amplifier Units manufactured in July 2014 or later.

*7. When the number of connected units is 11 or more, the ambient temperature is less than 50°C.

Analog output models/ Model for Sensor Communications Unit

| Item | Type | Analog output models | | Model for Sensor Communications Unit | |
|--|-----------------------------|--|--|--|----------------------|
| | NPN output | E3NX-FA11AN | E3NX-FA10 | E3NX-FA0 | E3NX-FAH0 |
| | PNP output | E3NX-FA41AN | E3NX-FA40 | | |
| Connecting method | Pre-wired | Connector for Sensor Communications Unit Pre-wired | | Connector for Sensor Communications Unit | |
| Inputs/ outputs | Outputs | 2 outputs | 1 outputs | --- *1 | |
| | External inputs | --- | --- | | |
| Light source (wavelength) | | Red, 4-element LED (625 nm) | | | Infrared LED (870nm) |
| Power supply voltage | | 10 to 30 VDC, including 10% ripple (p-p) | Supplied from the connector through the communication units. | | |
| Power consumption *2 | | At Power supply voltage of 24 VDC Normal mode : 960 mW max. (Current consumption at 40 mA max.) Eco function ON: 770 mW max. (Current consumption at 32 mA max.) Eco function LO : 870 mW max. (Current consumption at 36 mA max.) | At Power supply voltage of 24 VDC Normal mode : 920 mW max. (Current consumption at 38 mA max.) Eco function ON: 680 mW max. (Current consumption at 26 mA max.) Eco function LO : 800 mW max. (Current consumption at 33 mA max.) | At Power supply voltage of 24 VDC Normal mode : 1,080 mW max. (Current consumption at 45 mA max.) Eco function ON: 920 mW max. (Current consumption at 38 mA max.) Eco function LO : 1,020 mW max. (Current consumption at 42 mA max.) | |
| Control output | | Load power supply voltage: 30 VDC max., open-collector output (depends on the NPN/PNP output format) Load current: Groups of 1 to 3 Amplifier Units: 100 mA max., Groups of 4 to 30 Amplifier Units: 20 mA max. (Residual voltage: At load current of less than 10 mA: 1 V max.) At load current of 10 to 100 mA: 2 V max.) OFF current: 0.1 mA max. | | | --- |
| Analog output (reference value) | | Voltage output: 1-5 VDC (10 k Ω or more connected load), temperature characteristics: 0.3% F.S. / $^{\circ}$ C | --- | | |
| Indicators | | 7-segment displays (Sub digital display: green, Main digital display: white) Display direction: Switchable between normal and reversed. OUT indicator (orange), L/D indicator (orange), ST indicator (blue), DPC indicator (green), and OUT selection indicator (orange, only on models with 2 outputs) | | | |
| Protection circuits | | Power supply reverse polarity protection, output short-circuit protection, and output reverse polarity protection | | Power supply reverse polarity protection and output short-circuit protection | |
| Control output Response time | Super-high-speed mode (SHS) | Operate or reset: 80 μ s | Operate or reset: 32 μ s | | |
| | High-speed mode (HS) | Operate or reset: 250 μ s | Operate or reset: 250 μ s | | |
| | Standard mode (Std) | Operate or reset: 1 ms | Operate or reset: 1 ms | | |
| | Giga-power mode (GIGA) | Operate or reset: 16 ms | Operate or reset: 16 ms | | |
| Sensitivity adjustment | | Smart Tuning (2-point tuning, full auto tuning, position tuning, maximum sensitivity tuning, power tuning, percentage tuning (-99% to 99%)) or manual adjustment | | | |
| Maximum connectable Units | | 30 | 16 | With E3NW-ECT: 30 units (When connected to an OMRON NJ-series Controller.) With E3NW-CRT: 16 units (Note: E3NX-FAH0 can not be connected.) With E3NW-CCL: 16 units | |
| No. of Units for mutual interference prevention *3 | Super-high-speed mode (SHS) | 0 (The mutual interference prevention function is disabled if the detection mode is set to super-high-speed mode.) | | | |
| | High-speed mode (HS) | 10 | | | |
| | Standard mode (Std) | 10 | | | |
| | Giga-power mode (GIGA) | 10 | | | |

*1. Two sensor outputs are allocated in the programmable logic controller PLC I/O table.

PLC operation via Communications Unit enables reading detected values and changing settings.

*2. At Power supply voltage of 10 to 30 VDC

Analog output models:

Normal mode : 1,080 mW max. (Current consumption: 36 mA max. at 30 VDC, 75 mA max. at 10 VDC)

Eco function ON : 840 mW max. (Current consumption: 28 mA max. at 30 VDC, 55 mA max. at 10 VDC)

Eco function LO : 960 mW max. (Current consumption: 32 mA max. at 30 VDC, 65 mA max. at 10 VDC)

*3. The tuning will not change the number of units.

The least unit count among the mutual interference prevention units of E3NX and E3NC.

Check the mutual interference prevention unit count and response speed of each model.

| Item | Type | Analog output models | Model for Sensor Communications Unit | | |
|--------------------------------------|---|---|--|---|-----------|
| | NPN output | E3NX-FA11AN | E3NX-FA10 | E3NX-FA0 | E3NX-FAH0 |
| | PNP output | E3NX-FA41AN | E3NX-FA40 | | |
| Connecting method | Pre-wired | Connector for Sensor Communications Unit Pre-wired | Connector for Sensor Communications Unit | | |
| Functions | Automatic power control (APC) | Always enabled. | | | |
| | Dynamic power control (DPC) | Provided | | | |
| | Timer | Select from timer disabled, OFF-delay, ON-delay, one-shot, or ON-delay + OFF-delay timer: 1 to 9,999 ms | | | |
| | Zero reset | Negative values can be displayed. (Threshold value is shifted.) | | | |
| | Resetting settings *4 | Select from initial reset (factory defaults) or user reset (saved settings). | | | |
| | Eco mode | Select from OFF (digital display lit), Eco ON (digital display not lit), and Eco LO (digital display dimmed). | | | |
| | Bank switching | Select from banks 1 to 4. | | | |
| | Sensor OFF setting | --- | | Select from ON or OFF. | --- |
| | Power tuning | Select from ON or OFF. | | | |
| | Output 1 | Select from normal detection mode, area detection mode or differential detection mode (E3NX-FA10/40 only). | | | |
| | Output 2 | Select from Analog scaling or Analog offset. | --- | Select from normal detection mode, alarm output mode, error output mode or differential detection mode (E3NX-FA0 only). | |
| Hysteresis width | Select from standard setting or user setting. For a user setting, the hysteresis width can be set from 0 to 9,999. | | | | |
| Ambient illumination (Receiver side) | Incandescent lamp: 20,000 lx max., Sunlight: 30,000 lx max. | | | | |
| Ambient temperature range *5 | Operating: Groups of 1 or 2 Amplifier Units: -25 to 55°C, Groups of 3 to 10 Amplifier Units: -25 to 50°C, Groups of 11 to 16 Amplifier Units: -25 to 45°C, Groups of 17 to 30 Amplifier Units: -25 to 40°C Storage: -30 to 70°C (with no icing or condensation) | Operating: Groups of 1 or 2 Amplifier Units: 0 to 55°C, Groups of 3 to 10 Amplifier Units: 0 to 50°C, Groups of 11 to 16 Amplifier Units: 0 to 45°C Storage: -30 to 70°C (with no icing or condensation) | Operating: Groups of 1 or 2 Amplifier Units: 0 to 55°C, Groups of 3 to 10 Amplifier Units: 0 to 50°C, Groups of 11 to 16 Amplifier Units: 0 to 45°C, Groups of 17 to 30 Amplifier Units: 0 to 40°C Storage: -30 to 70°C (with no icing or condensation) | | |
| Ambient humidity range | Operating and storage: 35 to 85% (with no condensation) within the surrounding air temperature range shown above | | | | |
| Altitude | 2,000 m max. | | | | |
| Installation environment | Pollution degree 3 | | | | |
| Insulation resistance | 20 MΩ min. (at 500 VDC) | | | | |
| Dielectric strength | 1,000 VAC at 50/60 Hz for 1 min | | | | |
| Vibration resistance (destruction) | 10 to 55 Hz with a 1.5-mm double amplitude for 2 hours each in X, Y, and Z directions | | | | |
| Shock resistance (destruction) | 500 m/s ² for 3 times each in X, Y, and Z directions | 150 m/s ² for 3 times each in X, Y, and Z directions | | | |
| Weight (packed state/Sensor only) | Approx. 115 g/approx. 75 g | Approx. 95 g/approx. 45 g | Approx. 65 g/approx. 25 g | Approx. 65 g/approx. 25 g | |
| Materials | Case | Polycarbonate (PC) | | | |
| | Cover | Polycarbonate (PC) | | | |
| | Cable | PVC | | | |
| Accessories | Instruction Manual | | | | |

*4. The bank is not reset by the user reset function or saved by the user save function.

*5. When the number of connected units is 11 or more, the ambient temperature is less than 50°C.

Sensing Distances

Standard models/ Advanced models/ Analog output models

Threaded Models

| Sensing method | Sensing direction | Size | Model | Sensing distance (mm) | | | |
|----------------|-------------------|------|--------------|-----------------------|---------------|-----------------|-----------------------|
| | | | | Giga mode | Standard mode | High-speed mode | Super-high-speed mode |
| Through-beam | Right-angle | M4 | E32-T11N 2M | 3,000 | 1,500 | 1,050 | 280 |
| | | | E32-LT11N 2M | 4,000 *1 | 4,000 *1 | 3,450 | 920 |
| | Straight | | E32-T11R 2M | 3,000 | 1,500 | 1,050 | 280 |
| | | | E32-LT11 2M | 4,000 *1 | 4,000 *1 | 4,000 *1 | 1,080 |
| | | | E32-LT11R 2M | 4,000 *1 | 4,000 *1 | 3,450 | 920 |
| Reflective | Right-angle | M3 | E32-C31N 2M | 160 | 75 | 69 | 14 |
| | | | E32-C21N 2M | 440 | 190 | 130 | 39 |
| | | M4 | E32-D21N 2M | 1,260 | 520 | 360 | 100 |
| | | | E32-C11N 2M | 1,170 | 520 | 480 | 100 |
| | | M6 | E32-LD11N 2M | 1,260 | 520 | 360 | 100 |
| | | | E32-D21R 2M | 210 | 90 | 60 | 16 |
| | Straight | M3 | E32-C31 2M | 490 | 220 | 150 | 44 |
| | | | E32-C31M 1M | | | | |
| | | | E32-D211R 2M | | | | |
| | | M4 | E32-D11R 2M | 210 | 90 | 60 | 16 |
| | | | E32-D11R 2M | 1,260 | 520 | 360 | 100 |
| | | M6 | E32-CC200 2M | 2,100 | 900 | 600 | 180 |
| | | | E32-LD11 2M | 1,290 | 540 | 370 | 110 |
| | | | E32-LD11R 2M | 1,260 | 520 | 360 | 100 |
| | | | E32-LD11R 2M | 1,260 | 520 | 360 | 100 |

*1. The fiber length is 2 m on each side, so the sensing distance is given as 4,000 mm.

Cylindrical Models

| Sensing method | Size | Sensing direction | Model | Sensing distance (mm) | | | |
|----------------|---------------------|-------------------|--------------|-----------------------|---------------|-----------------|-----------------------|
| | | | | Giga mode | Standard mode | High-speed mode | Super-high-speed mode |
| Through-beam | 1 dia. | Top-view | E32-T223R 2M | 670 | 370 | 220 | 60 |
| | 1.5 dia. | | E32-T22B 2M | 1,020 | 600 | 330 | 90 |
| | 3 dia. | | E32-T12R 2M | 3,000 | 1,500 | 1,050 | 280 |
| | | Side-view | E32-T14LR 2M | 1,120 | 670 | 390 | 100 |
| Reflective | 1.5 dia. | Top-view | E32-D22B 2M | 210 | 90 | 60 | 16 |
| | 1.5 dia. + 0.5 dia. | | E32-D43M 1M | 42 | 18 | 12 | 4 |
| | 3 dia. | | E32-D22R 2M | 210 | 90 | 60 | 16 |
| | | | E32-D221B 2M | 450 | 210 | 130 | 40 |
| | | | E32-D32L 2M | 1,050 | 450 | 300 | 90 |
| | | | E32-D33 2M | 100 | 45 | 30 | 8 |
| | 3 dia. + 0.8 dia. | | | | | | |

Flat Models

| Sensing method | Sensing direction | Model | Sensing distance (mm) | | | |
|----------------|-------------------|--------------|-----------------------|---------------|-----------------|-----------------------|
| | | | Giga mode | Standard mode | High-speed mode | Super-high-speed mode |
| Through-beam | Top-view | E32-T15XR 2M | 3,000 | 1,500 | 1,050 | 280 |
| | Side-view | E32-T15YR 2M | 1,120 | 670 | 390 | 100 |
| | Flat-view | E32-T15ZR 2M | | | | |
| Reflective | Top-view | E32-D15XR 2M | 1,260 | 520 | 360 | 100 |
| | Side-view | E32-D15YR 2M | 300 | 150 | 78 | 24 |
| | Flat-view | E32-D15ZR 2M | | | | |

Sleeve Models

| Sensing method | Sensing direction | Model | Sensing distance (mm) | | | |
|----------------|-------------------|-----------------|-----------------------|---------------|-----------------|-----------------------|
| | | | Giga mode | Standard mode | High-speed mode | Super-high-speed mode |
| Through-beam | Side-view | E32-T24R 2M | 250 | 150 | 75 | 20 |
| | | E32-T24E 2M | 670 | 370 | 220 | 60 |
| | Top-view | E32-T33 1M | 220 | 130 | 75 | 20 |
| | | E32-T21-S1 2M | 760 | 450 | 250 | 68 |
| | | E32-TC200BR 2M | 3,000 | 1,500 | 1,050 | 280 |
| Reflective | Side-view | E32-D24R 2M | 100 | 45 | 30 | 8 |
| | | E32-D24-S2 2M | 180 | 79 | 67 | 14 |
| | Top-view | E32-D43M 1M | 42 | 18 | 12 | 4 |
| | | E32-D331 2M | 21 | 9 | 6 | 2 |
| | | E32-D33 2M | 100 | 45 | 30 | 8 |
| | | E32-D32-S1 0.5M | 94 | 40 | 27 | 7 |
| | | E32-D31-S1 0.5M | | | | |
| | | E32-DC200F4R 2M | 210 | 90 | 60 | 16 |
| | | E32-D22-S1 2M | 370 | 160 | 100 | 30 |
| | | E32-D21-S3 2M | | | | |
| | | E32-DC200BR 2M | 1,260 | 520 | 360 | 100 |
| E32-D25-S3 2M | 370 | 160 | 100 | 30 | | |

Small-spot, Reflective Models

| Type | Spot diameter | Center distance (mm) | Models | Sensing distance (mm) | | | |
|-----------------|-----------------|----------------------|---|--|---------------|-----------------|-----------------------|
| | | | | Giga mode | Standard mode | High-speed mode | Super-high-speed mode |
| Variable spot | 0.1 to 0.6 dia. | 6 to 15 | E32-C42 1M + E39-F3A | Spot diameter of 0.1 to 0.6 mm at 6 to 15 mm. | | | |
| | 0.3 to 1.6 dia. | 10 to 30 | E32-C42 1M + E39-F17 | Spot diameter of 0.3 to 1.6 mm at 10 to 30 mm. | | | |
| Parallel light | 4 dia. | 0 to 20 | E32-C31 2M + E39-F3C E32-C31N 2M + E39-F3C | Spot diameter of 4 mm max. at 0 to 20 mm. | | | |
| Integrated lens | 0.1 dia. | 5 | E32-C42S 1M | Spot diameter of 0.1 mm at 5 mm. | | | |
| | 6 dia. | 50 | E32-L15 2M | Spot diameter of 6 mm at 50 mm. | | | |
| Small-spot | 0.1 dia. | 7 | E32-C41 1M + E39-F3A-5 | Spot diameter of 0.1 mm at 7 mm. | | | |
| | | | E32-C31 2M + E39-F3A-5 E32-C31N 2M + E39-F3A-5 | Spot diameter of 0.5 mm at 7 mm. | | | |
| | 0.2 dia. | 17 | E32-C41 1M + E39-F3B | Spot diameter of 0.2 mm at 17 mm. | | | |
| | | | E32-C31 2M + E39-F3B E32-C31N 2M + E39-F3B | Spot diameter of 0.5 mm at 17 mm. | | | |
| | 3 dia. | 50 | E32-CC200 2M + E39-F18 | Spot diameter of 3 mm at 50 mm. | | | |
| | | | E32-C11N 2M + E39-F18 | | | | |

High-power Beam Models

| Type | Sensing direction | Aperture angle | Models | Sensing distance (mm) | | | |
|--|-------------------|------------------------|-------------------------|-----------------------|---------------|-----------------|-----------------------|
| | | | | Giga mode | Standard mode | High-speed mode | Super-high-speed mode |
| Through-beam models with integrated lens | Right-angle | 15° | E32-LT11N 2M | 4,000 *2 | 4,000 *2 | 3,450 | 920 |
| | Top-view | 10° | E32-T17L 10M | 20,000 *1 | 20,000 *1 | 20,000 *1 | 8,000 |
| | | 15° | E32-LT11 2M | 4,000 *2 | 4,000 *2 | 4,000 *2 | 1,080 |
| | E32-LT11R 2M | | 4,000 *2 | 4,000 *2 | 3,450 | 920 | |
| Side-view | 30° | E32-T14 2M | 4,000 *2 | 4,000 *2 | 4,000 *2 | 1,800 | |
| Through-beam models with lenses | Right-angle | 12° | E32-T11N 2M + E39-F1 | 4,000 *2 | 4,000 *2 | 4,000 *2 | 2,000 |
| | | 6° | E32-T11N 2M + E39-F16 | 4,000 *2 | 4,000 *2 | 4,000 *2 | 3,600 |
| | Top-view | 12° | E32-T11R 2M + E39-F1 | 4,000 *2 | 4,000 *2 | 4,000 *2 | 2,000 |
| | | 6° | E32-T11R 2M + E39-F16 | 4,000 *2 | 4,000 *2 | 4,000 *2 | 3,600 |
| | Side-view | 60° | E32-T11R 2M + E39-F2 | 2,170 | 1,200 | 750 | 200 |
| | Top-view | 12° | E32-T11 2M + E39-F1 | 4,000 *2 | 4,000 *2 | 4,000 *2 | 1,860 |
| | | 6° | E32-T11 2M + E39-F16 | 4,000 *2 | 4,000 *2 | 4,000 *2 | 4,000 *2 |
| | Side-view | 60° | E32-T11 2M + E39-F2 | 3,450 | 1,980 | 1,290 | 320 |
| | Top-view | 12° | E32-T51R 2M + E39-F1 | 4,000 *2 | 4,000 *2 | 4,000 *2 | 1,500 |
| | | 6° | E32-T51R 2M + E39-F16 | 4,000 *2 | 4,000 *2 | 4,000 *2 | 4,000 *2 |
| | Side-view | 60° | E32-T51R 2M + E39-F2 | 2,100 | 1,080 | 750 | 200 |
| | Top-view | 12° | E32-T81R-S 2M + E39-F1 | 4,000 *2 | 4,000 *2 | 4,000 *2 | 1,000 |
| | | 6° | E32-T81R-S 2M + E39-F16 | 4,000 *2 | 4,000 *2 | 4,000 *2 | 1,800 |
| | Side-view | 60° | E32-T81R-S 2M + E39-F2 | 1,500 | 820 | 540 | 140 |
| | Top-view | 12° | E32-T61-S 2M + E39-F1 | 4,000 *2 | 4,000 *2 | 4,000 *2 | 1,800 |
| | | 6° | E32-T61-S 2M + E39-F16 | 4,000 *2 | 4,000 *2 | 4,000 *2 | 3,100 |
| Side-view | 60° | E32-T61-S 2M + E39-F2 | 2,520 | 1,350 | 900 | 240 | |
| Top-view | 12° | E32-T51 2M + E39-F1-33 | 4,000 *2 | 4,000 *2 | 3,450 | 1,400 | |
| | 6° | E32-T51 2M + E39-F16 | 4,000 *2 | 4,000 *2 | 4,000 *2 | 4,000 *2 | |
| Reflective models with integrated lens | Top-view | 4° | E32-D16 2M | 40 to 4,200 | 40 to 2,100 | 40 to 1,350 | 40 to 720 |

*1. The fiber length is 10 m on each side, so the sensing distance is given as 20,000 mm.

*2. The fiber length is 2 m on each side, so the sensing distance is given as 4,000 mm.

Narrow View Models

| Sensing method | Sensing direction | Aperture angle | Models | Sensing distance (mm) | | | |
|----------------|-------------------|----------------|--------------|-----------------------|---------------|-----------------|-----------------------|
| | | | | Giga mode | Standard mode | High-speed mode | Super-high-speed mode |
| Through-beam | Side-view | 1.5° | E32-A03 2M | 4,000 *1 | 2,670 | 1,800 | 500 |
| | | | E32-A03-1 2M | | | | |
| | | 3.4° | E32-A04 2M | 1,920 | 1,020 | 670 | 200 |
| | | | E32-T24SR 2M | 4,000 *1 | 3,300 | 2,190 | 580 |
| | | 4° | E32-T24S 2M | 4,000 *1 | 3,900 | 2,610 | 700 |
| | | | E32-T22S 2M | 4,000 *1 | 4,000 *1 | 3,750 | 1,000 |

*1. The fiber length is 2 m on each side, so the sensing distance is given as 4,000 mm.

Models for Detection without Background Interference

| Sensing method | Sensing direction | Model | Sensing distance (mm) | | | |
|--------------------|-------------------|--------------|-----------------------|---------------|-----------------|-----------------------|
| | | | Giga mode | Standard mode | High-speed mode | Super-high-speed mode |
| Limited-reflective | Flat-view | E32-L16-N 2M | 0 to 15 | | | 0 to 12 |
| | | E32-L24S 2M | 0 to 4 | | | |
| | Side-view | E32-L25L 2M | 5.4 to 9 (center 7.2) | | | |

Transparent Object Detection (Retro-reflective Models)

| Sensing method | Feature | Size | Models | Sensing distance (mm) | | | |
|------------------|----------------|------|---------------------------------|-----------------------|---------------|-----------------|-----------------------|
| | | | | Giga mode | Standard mode | High-speed mode | Super-high-speed mode |
| Retro-reflective | Film detection | M3 | E32-C31 2M + E39-F3R + E39-RP37 | 370 | | 300 | --- |
| | Square | --- | E32-R16 5M | 150 to 1,500 | | | |
| | Threaded | M6 | E32-R21 2M | 10 to 370 | | | 10 to 250 |
| | Hex-shaped | | E32-LR11NP 2M + E39-RP1 | 2,020 | 1,800 | 1,500 | 550 |

Transparent Object Detection (Limited-reflective Models)

| Sensing method | Feature | Sensing direction | Model | Sensing distance (mm) | | | |
|--------------------|---------------------------------|-------------------|--------------|-----------------------|---------------|-----------------|-----------------------|
| | | | | Giga mode | Standard mode | High-speed mode | Super-high-speed mode |
| Limited-reflective | Small size | Flat-view | E32-L24S 2M | 0 to 4 | | | |
| | Standard | | E32-L16-N 2M | 0 to 15 | | 0 to 12 | |
| | Glass substrate alignment, 70°C | | E32-A08 2M | 10 to 20 | | --- | |
| | Standard/long-distance | | E32-A12 2M | 12 to 30 | | --- | |
| | Side-view form | Side-view | E32-L25L 2M | 5.4 to 9 (center 7.2) | | | |
| | Glass substrate mapping, 70°C | Top-view | E32-A09 2M | 15 to 38 | | --- | |

Chemical-resistant, Oil-resistant Models

| Sensing method | Type | Sensing direction | Model | Sensing distance (mm) | | | |
|----------------|---|-------------------|--------------|--|---------------|-----------------|-----------------------|
| | | | | Giga mode | Standard mode | High-speed mode | Super-high-speed mode |
| Through-beam | Oil-resistant | Right-angle | E32-T11NF 2M | 4,000 *1 | 4,000 *1 | 4,000 *1 | 2,200 |
| | Chemical/oil-resistant | Top-view | E32-T12F 2M | 4,000 *1 | 4,000 *1 | 4,000 *1 | 1,600 |
| | | E32-T11F 2M | 4,000 *1 | 4,000 *1 | 3,900 | 1,000 | |
| | | Side-view | E32-T14F 2M | 2,100 | 1,200 | 750 | 200 |
| | Chemical/oil-resistant at 150°C | Top-view | E32-T51F 2M | 4,000 *1 | 4,000 *1 | 2,700 | 700 |
| Reflective | Semiconductors: Cleaning, developing, and etching; 60°C | Top-view | E32-L11FP 5M | 8 to 20 mm from tip of lens (Recommended sensing distance: 11 mm), 19 to 31 mm from center of mounting hole A (Recommended sensing distance: 22 mm) | | | |
| | Semiconductors: Resist stripping; 85°C | | E32-L11FS 5M | 8 to 20 mm from tip of lens (Recommended sensing distance: 11 mm), 32 to 44 mm from center of mounting hole A (Recommended sensing distance: 35 mm) | | | |
| | Chemical/oil-resistant | | E32-D12F 2M | --- *2 | 280 | 190 | 60 |
| | Chemical-resistant cable | | E32-D11U 2M | 1,260 | 520 | 360 | 100 |

*1. The fiber length is 2 m on each side, so the sensing distance is given as 4,000 mm.

*2. Even if there is no sensing object, the Sensor will detect light that is reflected by the fluoro resin.

Bending-resistant Models

| Sensing method | Size | Model | Sensing distance (mm) | | | |
|----------------|----------|--------------|-----------------------|---------------|-----------------|-----------------------|
| | | | Giga mode | Standard mode | High-speed mode | Super-high-speed mode |
| Through-beam | 1.5 dia. | E32-T22B 2M | 1,020 | 600 | 330 | 90 |
| | M3 | E32-T21 2M | | | | |
| | M4 | E32-T11 2M | 3,750 | 2,020 | 1,350 | 360 |
| | Square | 32-T25XB 2M | 750 | 450 | 250 | 70 |
| Reflective | 1.5 dia. | E32-D22B 2M | 210 | 90 | 60 | 16 |
| | M3 | E32-D21 2M | | | | |
| | 3 dia. | E32-D221B 2M | 450 | 210 | 130 | 40 |
| | M4 | E32-D21B 2M | | | | |
| | M6 | E32-D11 2M | 1,260 | 520 | 360 | 100 |
| | Square | E32-D25XB 2M | 360 | 150 | 90 | 30 |

Heat-resistant Models

| Sensing method | Heat-resistant temperature | Model | Sensing distance (mm) | | | |
|----------------|----------------------------|---------------|-----------------------|---------------|-----------------|-----------------------|
| | | | Giga mode | Standard mode | High-speed mode | Super-high-speed mode |
| Through-beam | 100°C | E32-T51R 2M | 2,400 | 1,200 | 840 | 225 |
| | 150°C | E32-T51 2M | 4,000 *1 | 2,250 | 1,500 | 400 |
| | 200°C | E32-T81R-S 2M | 1,500 | 820 | 540 | 140 |
| | 350°C | E32-T61-S 2M | 2,520 | 1,350 | 900 | 240 |
| Reflective | 100°C | E32-D51R 2M | 1,000 | 420 | 280 | 80 |
| | 150°C | E32-D51 2M | 1,680 | 670 | 480 | 144 |
| | 200°C | E32-D81R-S 2M | 630 | 270 | 180 | 54 |
| | 300°C | E32-A08H2 2M | 10 to 20 | | --- | |
| | | E32-A09H2 2M | 20 to 30 (center 25) | | --- | |
| | 350°C | E32-D611-S 2M | 630 | 270 | 180 | 54 |
| | | E32-D61-S 2M | | | | |
| | 400°C | E32-D73-S 2M | 420 | 180 | 120 | 36 |

*1. The fiber length is 2 m on each side, so the sensing distance is given as 4,000 mm.

Area Detection Models

| Sensing method | Type | Sensing width | Model | Sensing distance (mm) | | | |
|----------------|-------|---------------|--------------|-----------------------|---------------|-----------------|-----------------------|
| | | | | Giga mode | Standard mode | High-speed mode | Super-high-speed mode |
| Through-beam | Area | 11 mm | E32-T16PR 2M | 4,000 *1 | 2,550 | 1,680 | 440 |
| | | | E32-T16JR 2M | 4,000 *1 | 2,250 | 1,440 | 380 |
| | | 30 mm | E32-T16WR 2M | 4,000 *1 | 3,900 | 2,550 | 680 |
| Reflective | Array | 11 mm | E32-D36P1 2M | 1,050 | 450 | 300 | 90 |

*1. The fiber length is 2 m on each side, so the sensing distance is given as 4,000 mm.

Liquid-level Detection Models

| Sensing method | Tube diameter | Feature | Model | Sensing distance (mm) | | | |
|---|----------------------|------------------------------------|--------------|--|---------------|-----------------|-----------------------|
| | | | | Giga mode | Standard mode | High-speed mode | Super-high-speed mode |
| Tube-mounting | 3.2, 6.4, or 9.5 dia | Stable residual quantity detection | E32-A01 5M | Applicable tube: Transparent tube with a diameter of 3.2, 6.4, or 9.5 mm, Recommended wall thickness: 1 mm | | | |
| | 8 to 10 dia | Mounting at multiple levels | E32-L25T 2M | Applicable tube: Transparent tube with a diameter of 8 to 10 mm, Recommended wall thickness: 1 mm | | | |
| | No restrictions | Large tubes | E32-D36T 5M | Applicable tube: Transparent tube (no restrictions on diameter) | | | |
| Liquid contact (heat-resistant up to 200°C) | --- | --- | E32-D82F1 4M | Liquid-contact type | | | |

Vacuum-resistant Models

| Sensing method | Heat-resistant temperature | Model | Sensing distance (mm) | | | |
|----------------|----------------------------|-----------------------|-----------------------|---------------|-----------------|-----------------------|
| | | | Giga mode | Standard mode | High-speed mode | Super-high-speed mode |
| Through-beam | 120°C | E32-T51V 1M | 1,080 | 600 | 390 | 100 |
| | | E32-T51V 1M + E39-F1V | 2,000 *1 | 2,000 *1 | 2,000 *1 | 520 |
| | 200°C | E32-T84SV 1M | 2,000 *1 | 1,420 | 960 | 260 |

*1. The fiber length is 1 m on each side, so the sensing distance is given as 2,000 mm.

Models for FPD, Semiconductors, and Solar Cells

| Sensing method | Application | Operating temperature | Model | Sensing distance (mm) | | | |
|--|---------------------------|-----------------------|--|-----------------------|---------------|-----------------|-----------------------|
| | | | | Giga mode | Standard mode | High-speed mode | Super-high-speed mode |
| Limited-reflective | Glass presence detection | 70°C | E32-L16-N 2M | 0 to 15 | | | 0 to 12 |
| | | | E32-A08 2M | 10 to 20 | | | --- |
| | Glass substrate alignment | 300°C | E32-A08H2 3M | 12 to 30 | | | --- |
| | | 70°C | E32-A12 2M | 15 to 38 | | | --- |
| | Glass substrate mapping | 300°C | E32-A09 2M | 20 to 30 (center 25) | | | --- |
| | | 70°C | E32-A09H2 2M | 20 to 30 (center 25) | | | --- |
| Wet processes: Cleaning, Resist developing and etching | 60°C | E32-L11FP 5M | 8 to 20 mm from tip of lens (Recommended sensing distance: 11 mm), 19 to 31 mm from center of mounting hole A (Recommended sensing distance: 22 mm) | | | | |
| | | | 8 to 20 mm from tip of lens (Recommended sensing distance: 11 mm), 32 to 44 mm from center of mounting hole A (Recommended sensing distance: 35 mm) | | | | |
| Through-beam | Wafer mapping | 70°C | E32-A03 2M | 4,000 *1 | 2,670 | 1,800 | 500 |
| | | | E32-A03-1 2M | | | | |
| | | | E32-A04 2M | 1,920 | 1,020 | 670 | 200 |
| | | | E32-T24SR 2M | 4,000 *1 | 3,300 | 2,190 | 580 |
| | | | E32-T24S 2M | 4,000 *1 | 3,900 | 2,610 | 700 |

*1. The fiber length is 2 m on each side, so the sensing distance is given as 4,000 mm.

Infrared models

Threaded Models

| Sensing method | Sensing direction | Size | Model | Sensing distance (mm) | | | |
|----------------|-------------------|------|--------------|-----------------------|---------------|-----------------|-----------------------|
| | | | | Giga mode | Standard mode | High-speed mode | Super-high-speed mode |
| Through-beam | Right-angle | M4 | E32-T11N 2M | 280 | 190 | 130 | 55 |
| | Straight | | E32-T11R 2M | | | | |
| Reflective | Straight | M3 | E32-C31 2M | 50 | 37 | 25 | 8.5 |
| | | M6 | E32-D11R 2M | 120 | 90 | 60 | 21 |
| | | | E32-CC200 2M | 200 | 150 | 100 | 35 |

Cylindrical Models

| Sensing method | Size | Sensing direction | Model | Sensing distance (mm) | | | |
|----------------|--------|-------------------|--------------|-----------------------|---------------|-----------------|-----------------------|
| | | | | Giga mode | Standard mode | High-speed mode | Super-high-speed mode |
| Through-beam | 3 dia. | Top-view | E32-T12R 2M | 280 | 190 | 130 | 55 |
| | | Side-view | E32-T14LR 2M | 100 | 75 | 80 | 21 |
| Reflective | 3 dia. | Top-view | E32-D32L 2M | 100 | 75 | 50 | 17 |

Flat Models

| Sensing method | Sensing direction | Model | Sensing distance (mm) | | | |
|----------------|-------------------|--------------|-----------------------|---------------|-----------------|-----------------------|
| | | | Giga mode | Standard mode | High-speed mode | Super-high-speed mode |
| Through-beam | Top-view | E32-T15XR 2M | 280 | 190 | 130 | 55 |
| | Side-view | E32-T15YR 2M | 100 | 75 | 80 | 21 |
| | Flat-view | E32-T15ZR 2M | | | | |
| Reflective | Top-view | E32-D15XR 2M | 120 | 90 | 60 | 21 |
| | Side-view | E32-D15YR 2M | 28 | 20 | 13 | 5 |
| | Flat-view | E32-D15ZR 2M | | | | |

Sleeve Models

| Sensing method | Sensing direction | Model | Sensing distance (mm) | | | |
|----------------|-------------------|----------------|-----------------------|---------------|-----------------|-----------------------|
| | | | Giga mode | Standard mode | High-speed mode | Super-high-speed mode |
| Through-beam | Top-view | E32-TC200BR 2M | 280 | 190 | 130 | 55 |
| Reflective | Top-view | E32-DC200BR 2M | 120 | 90 | 60 | 21 |

High-power Beam Models

| Type | Sensing direction | Aperture angle | Models | Sensing distance (mm) | | | |
|--|-------------------|----------------|------------|-----------------------|---------------|-----------------|-----------------------|
| | | | | Giga mode | Standard mode | High-speed mode | Super-high-speed mode |
| Through-beam models with integrated lens | Side-view | 30° | E32-T14 2M | 1800 | 1200 | 820 | 360 |

I/O Circuit Diagrams

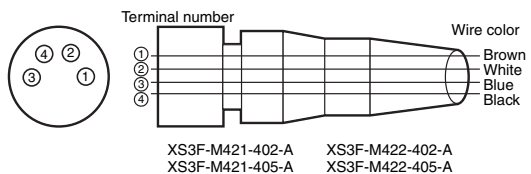
NPN Output

| Model | Operation mode | Timing chart | L/D indicator | Output circuit |
|---|----------------|---|---------------|---------------------------------------|
| E3NX-FA11 E3NX-FA6 E3NX-FA11-5 E3NX-FAH11 E3NX-FAH6 | Light-ON | <p>(Between brown and black leads)</p> | L lit. | |
| | Dark-ON | <p>(Between brown and black leads)</p> | D lit. | |
| E3NX-FA21 | Light-ON | <p>(Between brown and black (orange) leads)</p> | L lit. | |
| | Dark-ON | <p>(Between brown and black (orange) leads)</p> | D lit. | |
| E3NX-FA7 E3NX-FA24 | Light-ON | <p>(Between brown and black leads)</p> | L lit. | <p>• M8 Connector Pin Arrangement</p> |
| | Dark-ON | <p>(Between brown and black leads)</p> | D lit. | |
| E3NX-FA7TW | Light-ON | <p>(Between brown and black (orange) leads)</p> | L lit. | |
| | Dark-ON | <p>(Between brown and black (orange) leads)</p> | D lit. | |
| E3NX-FA11AN | Light-ON | <p>(Between brown and black leads)</p> | L lit. | |
| | Dark-ON | <p>(Between brown and black leads)</p> | D lit. | |

PNP Output

| Model | Operation mode | Timing chart | L/D indicator | Output circuit |
|--|----------------|--------------|---------------|---------------------------------------|
| E3NX-FA41 E3NX-FA8 E3NX-FAH41 E3NX-FAH8 | Light-ON | | L lit. | |
| | Dark-ON | | D lit. | |
| E3NX-FA51 | Light-ON | | L lit. | |
| | Dark-ON | | D lit. | |
| E3NX-FA9 E3NX-FA54 | Light-ON | | L lit. | <p>• M8 Connector Pin Arrangement</p> |
| | Dark-ON | | D lit. | |
| E3NX-FA9TW E3NX-FA54TW | Light-ON | | L lit. | <p>• M8 Connector Pin Arrangement</p> |
| | Dark-ON | | D lit. | |
| E3NX-FA41AN | Light-ON | | L lit. | |
| | Dark-ON | | D lit. | |

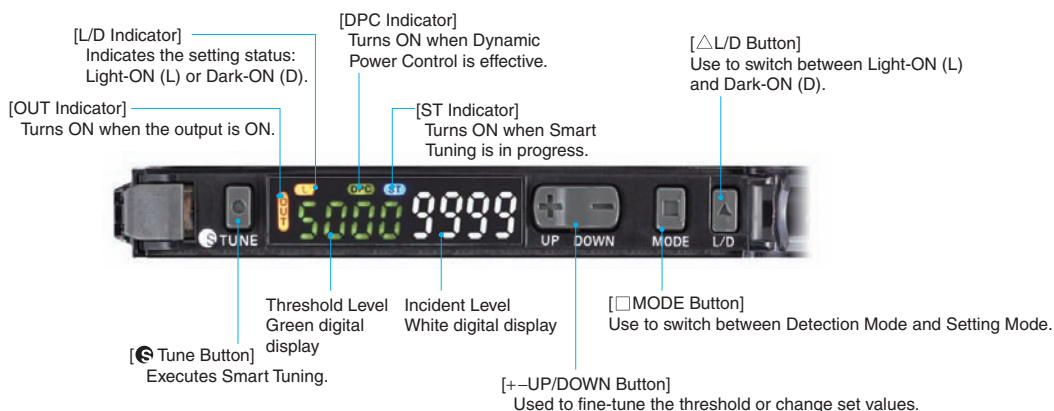
Plug (Sensor I/O Connector)



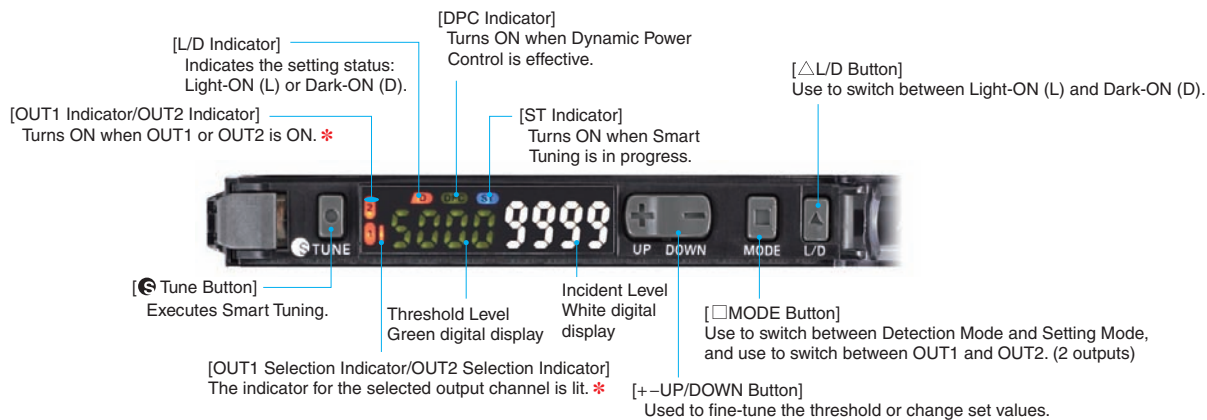
| Wire color | Connection pin | Application |
|------------|----------------|-------------------------|
| Brown | 1 | Power supply (+V) |
| White | 2 | External input / Output |
| Blue | 3 | Power supply (0 V) |
| Black | 4 | Output |

Nomenclature

E3NX-FA11/FA41/FA6/FA8/FA7/FA9/FA24/FA54/
FA11-5/FAH11/FAH41/FAH6/FAH8/FA11AN/FA41AN



E3NX-FA21/FA51/FA7TW/FA9TW/FA54TW/FA10/FA40/FA0/FAH0




* Only OUT1 turns ON for output.




Safety Precautions

Be sure to read the precautions for all models in the website at: <http://www.ia.omron.com/>.

Warning Indications

| | |
|--|---|
|  WARNING | Warning level Indicates a potentially hazardous situation which, if not avoided, will result in minor or moderate injury, or may result in serious injury or death. Additionally, there may be significant property damage. |
| Precautions for Safe Use | Supplementary comments on what to do or avoid doing, to use the product safely. |
| Precautions for Correct Use | Supplementary comments on what to do or avoid doing, to prevent failure to operate, malfunction or undesirable effect on product performance. |

Meaning of Product Safety Symbols

| | |
|---|--|
|  | General prohibition Indicates the instructions of unspecified prohibited action. |
|  | Caution, explosion Indicates the possibility of explosion under specific conditions. |
|  | Caution, fire Indicates the possibility of fire under specific conditions. |

WARNING

This product is not designed or rated for ensuring safety of persons either directly or indirectly. Do not use it for such purposes.



Do not use the product with voltage in excess of the rated voltage. Excess voltage may result in malfunction or fire.



Never use the product with an AC power supply. Otherwise, explosion may result.



Precautions for Safe Use

The following precautions must be observed to ensure safe operation of the Amplifier Unit. Doing so may cause damage or fire.

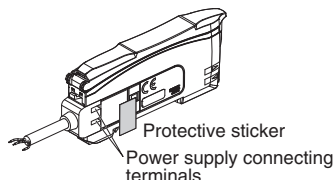
- Do not install the product in the following locations.
 - Locations subject to direct sunlight
 - Locations subject to condensation due to high humidity
 - Locations subject to corrosive gas
 - Locations subject to vibration or mechanical shocks exceeding the rated values
 - Locations subject to exposure to water, oil, chemicals
 - Locations subject to stream
 - Locations subjected to strong magnetic field or electric field
- Do not use the product in environments subject to flammable or explosive gases.
- Do not use the product in any atmosphere or environment that exceeds the ratings.
- To secure the safety of operation and maintenance, do not install the product close to high-voltage devices and power devices.
- High-voltage lines and power lines must be wired separately from the product. Wiring them together or placing them in the same duct may cause induction, resulting in malfunction or damage.
- Do not apply any load exceeding the ratings. Otherwise, damage or fire may result.
- Do not short the load. Otherwise, damage or fire may result.
- Connect the load correctly.
- Do not miswire such as the polarity of the power supply.
- To use this device as connecting with each other, be sure to connect with the same power supply and turn ON the power simultaneously. Using a separate power supply will influence the functions when connecting the devices to use them.
- Do not use the product if the case is damaged.
- Burn injury may occur. The product surface temperature rises depending on application conditions, such as the ambient temperature and the power supply voltage. Attention must be paid during operation or cleaning.
- When setting the sensor, be sure to check safety such as by stopping the equipment.
- Be sure to turn off the power supply before connecting or disconnecting wires.
- Do not attempt to disassemble, repair, or modify the product in any way.
- When disposing of the product, treat it as industrial waste.
- Do not use the Sensor in water, rainfall, or outdoors.
- Use the product in the IP54 enclosure.
- UL Standard Certification (Applicable Models: E3NX-FA11/21/41/51 Only)
Only the sensors with Enhanced UL Certification Mark are certified by UL. They are intended to be supplied by a "Class 2 circuit". When used in United States and Canada, Please use the same Class 2 source for input and output. The overcurrent protection current rating is 2A max. They were evaluated as Open type and shall be installed within a enclosure.

Precautions for Correct Use

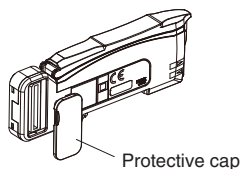
1. Be sure to mount the unit to the DIN track until it clicks.
2. When using the Amplifier Units with Wire-saving Connectors, attach the protective stickers (provided with E3X-CN-series Connectors) on the unused power pins to prevent electrical shock and short circuiting.

When using the Amplifier Units with Connectors for Communications Units, attach the protective caps (provided with E3NW-series Sensor Communications Unit).

Amplifier Unit with Wire-saving Connector



Amplifier Unit with Connector for Communications Unit



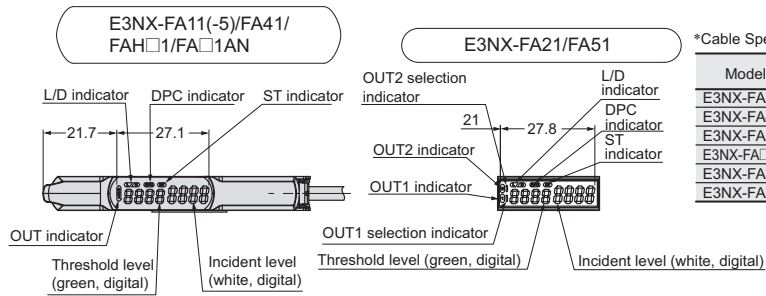
3. The length for the cable extension must be 30 m or less (or less than 10 m for S-mark certified models). Be sure to use a cable of at least 0.3 mm² for extension. The power voltage must be 24 to 30 V when connecting amplifier units with extension cable and wire-saving connector.
4. Do not apply the forces on the cord exceeding the following limits: Pull: 40N; torque: 0.1N·m; pressure: 20N; bending: 29.4N
5. Do not apply excessive force such as tension, compression or torsion to the Amplifier Unit with the Fiber Unit fixed to the Amplifier Unit.
6. Always keep the protective cover in place when using the Amplifier Unit. Not doing so may cause malfunction.
7. It may take time until the received light intensity and measured value become stable immediately after the power is turned on depending on use environment.
8. The product is ready to operate 200 ms after the power supply is turned ON.
9. The Mobile Console E3X-MC11, E3X-MC11-SV2 and E3X-MC11-S cannot be connected.
10. The mutual interference prevention function does not work when in combination with E3C/E2C/E3X.
11. If the unit receives excessive sensor light, the mutual interference prevention function may not work properly, resulting in malfunction of the unit. In such case, increase the threshold.
12. Standard models and Advanced models
The Sensor Communication Unit E3X-DRT21-S, E3X-CRT, E3X-ECT and E3NW cannot be connected.
Model for Sensor Communication Unit (E3NX-FA0)
The Sensor Communication Unit E3NW can be connected.
E3X-DRT21-S, E3X-CRT, E3X-ECT cannot be connected.
13. If you notice an abnormal condition such as a strange odor, extreme heating of the unit, or smoke immediately stop using the product, turn off the power, and consult your dealer.
14. Do not use thinner, benzene, acetone, and lamp oil for cleaning.

Dimensions

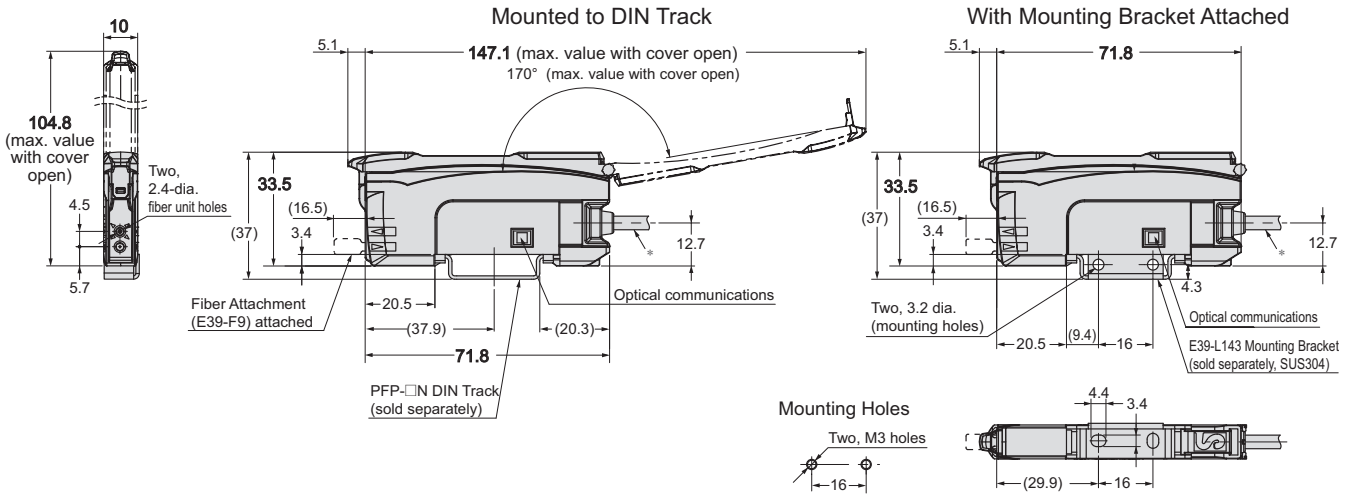
Fiber Amplifier Units

Pre-wired Amplifier Units

- E3NX-FA□1(-5)
- E3NX-FAH□1
- E3NX-FA□1AN

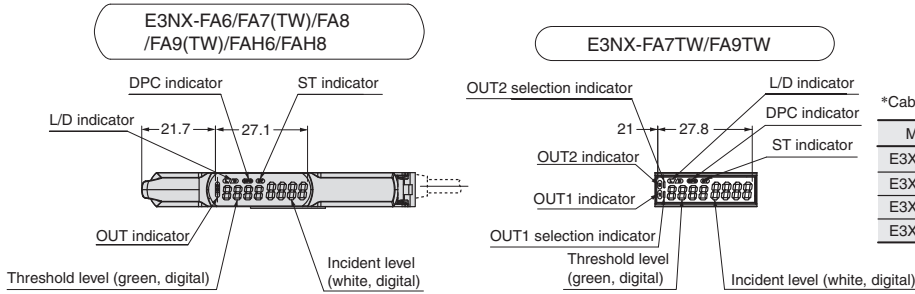


| *Cable Specifications | | | |
|-----------------------|----------------|-------------------|--|
| Model | Outer diameter | No. of conductors | Others |
| E3NX-FA11(-5) | 4.0 dia. | 3 | Conductor cross-section: 0.2 mm ² Insulator dia.: 0.9 mm |
| E3NX-FA41 | | | |
| E3NX-FAH□1 | | | |
| E3NX-FA□1AN | 4.0 dia. | 4 | Standard cable length: 2 m |
| E3NX-FA21 | | | |
| E3NX-FA51 | | | |

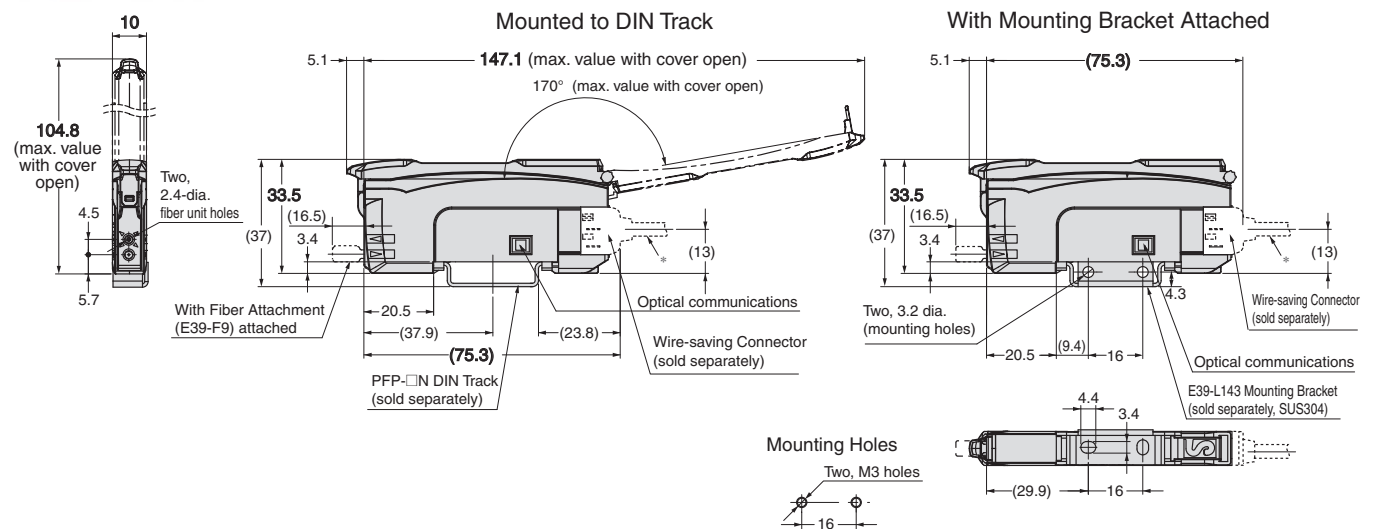


Amplifier Units with Wire-saving Connectors

- E3NX-FA6
- E3NX-FA7(TW)
- E3NX-FA8
- E3NX-FA9(TW)
- E3NX-FAH6
- E3NX-FAH8

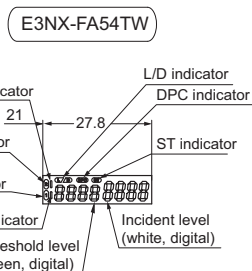
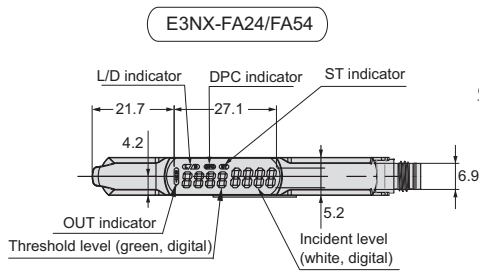


| *Cable Specifications | | |
|-----------------------|----------------|-------------------|
| Model | Outer diameter | No. of conductors |
| E3X-CN12 | 2.6 dia. | 1 |
| E3X-CN22 | 4.0 dia. | 2 |
| E3X-CN11 | | 3 |
| E3X-CN21 | | 4 |

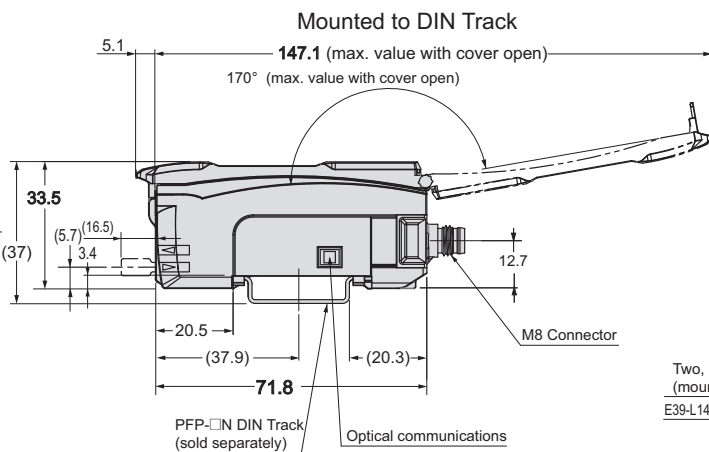
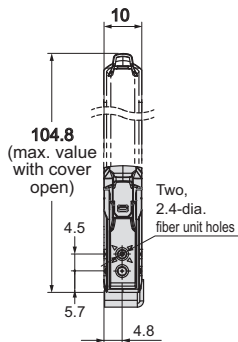
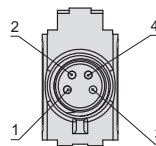


Amplifier Units with M8 Connectors

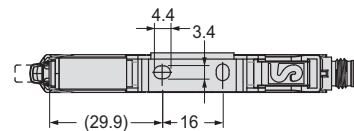
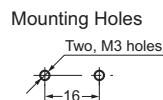
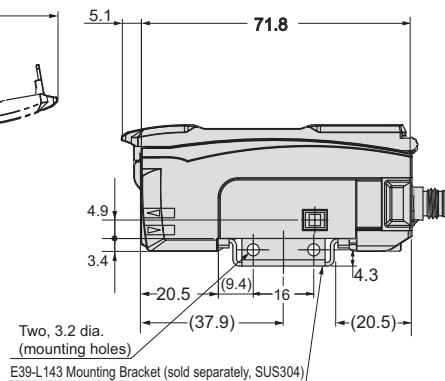
E3NX-FA24
E3NX-FA54
E3NX-FA54TW



Connector pin arrangement

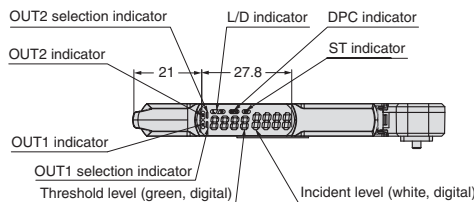


With Mounting Bracket Attached

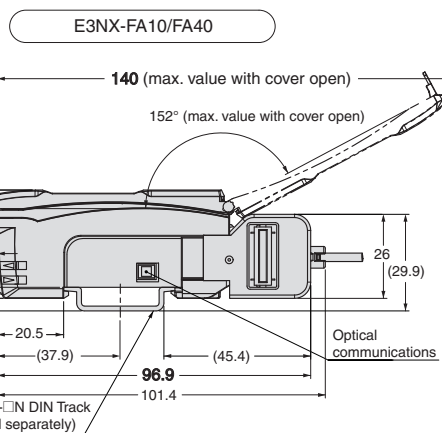
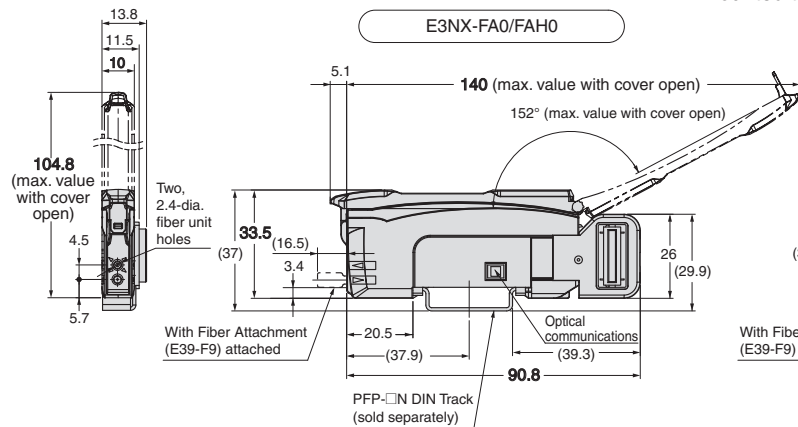


Amplifier Unit with Connector for Sensor Communications Unit

E3NX-FA0/FAH0



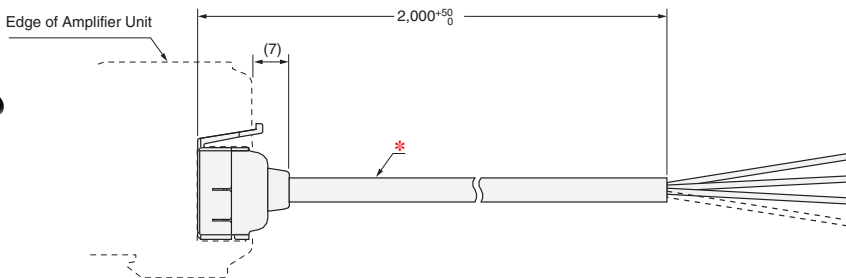
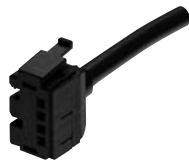
Mounted to DIN Track



Accessories (Sold Separately)

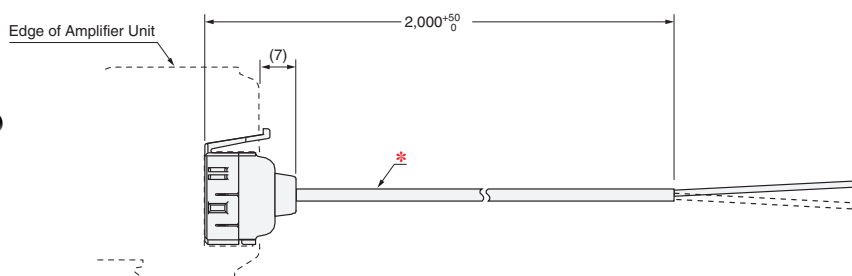
Wire-saving Connectors

Master Connector
E3X-CN11
E3X-CN21



* E3X-CN11: 4-dia. cable with 3 conductors, Standard cable length: 2 m (Conductor cross-section: 0.2 mm² (AWG24), Insulator diameter: 1.1 mm)
E3X-CN21: 4-dia. cable with 4 conductors, Standard cable length: 2 m (Conductor cross-section: 0.2 mm² (AWG24), Insulator diameter: 1.1 mm)

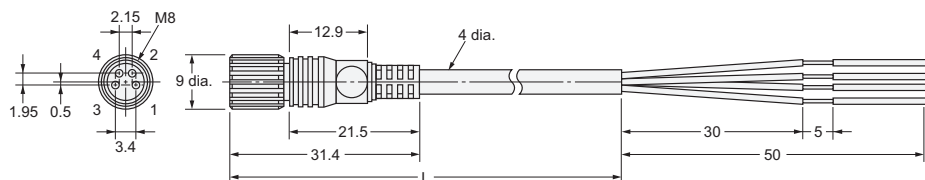
Slave Connector
E3X-CN12
E3X-CN22



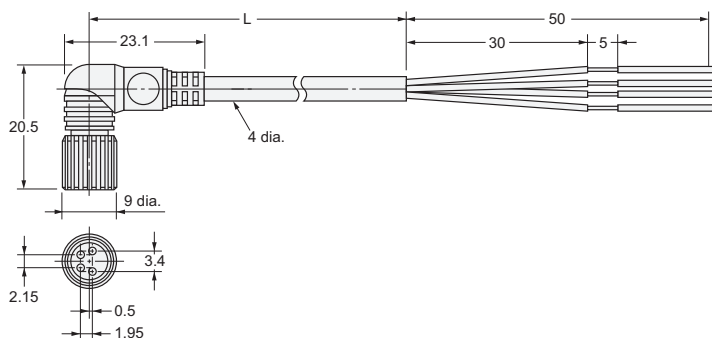
* E3X-CN12: 2.6-dia. cable with 1 conductor, Standard cable length: 2 m (Conductor cross-section: 0.2 mm² (AWG24), Insulator diameter: 1.1 mm)
E3X-CN22: 4-dia. cable with 2 conductors, Standard cable length: 2 m (Conductor cross-section: 0.2 mm² (AWG24), Insulator diameter: 1.1 mm)

Sensor I/O Connectors

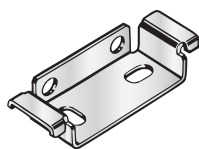
Straight
XS3F-M421-40□-A



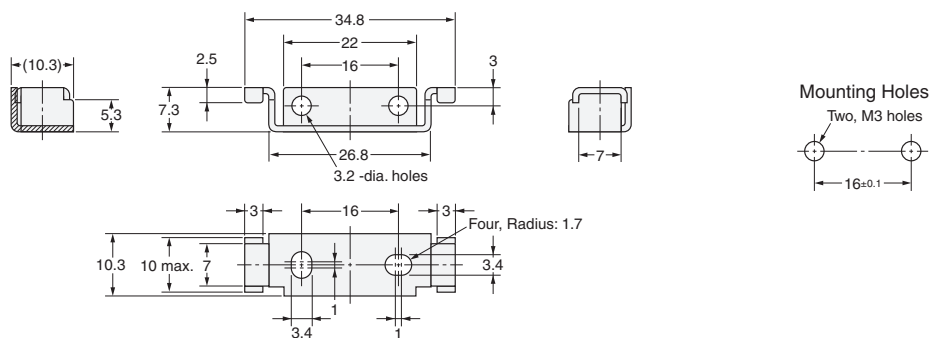
L-shaped
XS3F-M422-40□-A



Mounting Bracket
E39-L143



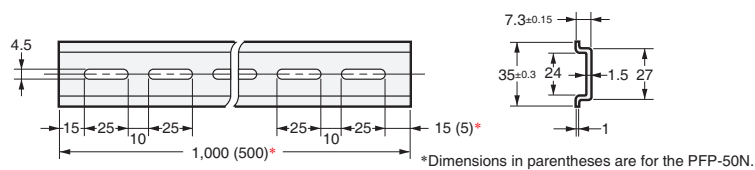
Material: Stainless steel (SUS304)



DIN Track
PFP-100N
PFP-50N



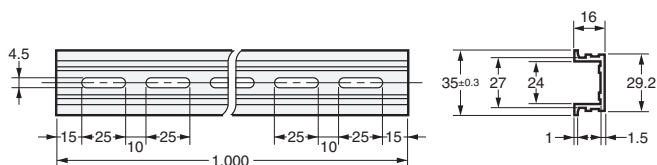
Material: Aluminum



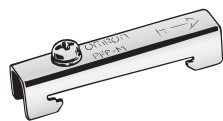
PFP-100N2



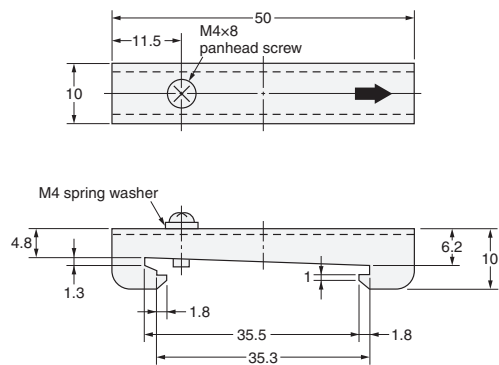
Material: Aluminum



End Plate
PFP-M



Materials: Iron, zinc plating



Terms and Conditions Agreement

Read and understand this catalog.

Please read and understand this catalog before purchasing the products. Please consult your OMRON representative if you have any questions or comments.

Warranties.

(a) Exclusive Warranty. Omron's exclusive warranty is that the Products will be free from defects in materials and workmanship for a period of twelve months from the date of sale by Omron (or such other period expressed in writing by Omron). Omron disclaims all other warranties, express or implied.

(b) Limitations. OMRON MAKES NO WARRANTY OR REPRESENTATION, EXPRESS OR IMPLIED, ABOUT NON-INFRINGEMENT, MERCHANTABILITY OR FITNESS FOR A PARTICULAR PURPOSE OF THE PRODUCTS. BUYER ACKNOWLEDGES THAT IT ALONE HAS DETERMINED THAT THE PRODUCTS WILL SUITABLY MEET THE REQUIREMENTS OF THEIR INTENDED USE.

Omron further disclaims all warranties and responsibility of any type for claims or expenses based on infringement by the Products or otherwise of any intellectual property right. (c) Buyer Remedy. Omron's sole obligation hereunder shall be, at Omron's election, to (i) replace (in the form originally shipped with Buyer responsible for labor charges for removal or replacement thereof) the non-complying Product, (ii) repair the non-complying Product, or (iii) repay or credit Buyer an amount equal to the purchase price of the non-complying Product; provided that in no event shall Omron be responsible for warranty, repair, indemnity or any other claims or expenses regarding the Products unless Omron's analysis confirms that the Products were properly handled, stored, installed and maintained and not subject to contamination, abuse, misuse or inappropriate modification. Return of any Products by Buyer must be approved in writing by Omron before shipment. Omron Companies shall not be liable for the suitability or unsuitability or the results from the use of Products in combination with any electrical or electronic components, circuits, system assemblies or any other materials or substances or environments. Any advice, recommendations or information given orally or in writing, are not to be construed as an amendment or addition to the above warranty.

See <http://www.omron.com/global/> or contact your Omron representative for published information.

Limitation on Liability: Etc.

OMRON COMPANIES SHALL NOT BE LIABLE FOR SPECIAL, INDIRECT, INCIDENTAL, OR CONSEQUENTIAL DAMAGES, LOSS OF PROFITS OR PRODUCTION OR COMMERCIAL LOSS IN ANY WAY CONNECTED WITH THE PRODUCTS, WHETHER SUCH CLAIM IS BASED IN CONTRACT, WARRANTY, NEGLIGENCE OR STRICT LIABILITY.

Further, in no event shall liability of Omron Companies exceed the individual price of the Product on which liability is asserted.

Suitability of Use.

Omron Companies shall not be responsible for conformity with any standards, codes or regulations which apply to the combination of the Product in the Buyer's application or use of the Product. At Buyer's request, Omron will provide applicable third party certification documents identifying ratings and limitations of use which apply to the Product. This information by itself is not sufficient for a complete determination of the suitability of the Product in combination with the end product, machine, system, or other application or use. Buyer shall be solely responsible for determining appropriateness of the particular Product with respect to Buyer's application, product or system. Buyer shall take application responsibility in all cases.

NEVER USE THE PRODUCT FOR AN APPLICATION INVOLVING SERIOUS RISK TO LIFE OR PROPERTY OR IN LARGE QUANTITIES WITHOUT ENSURING THAT THE SYSTEM AS A WHOLE HAS BEEN DESIGNED TO ADDRESS THE RISKS, AND THAT THE OMRON PRODUCT(S) IS PROPERLY RATED AND INSTALLED FOR THE INTENDED USE WITHIN THE OVERALL EQUIPMENT OR SYSTEM.

Programmable Products.

Omron Companies shall not be responsible for the user's programming of a programmable Product, or any consequence thereof.

Performance Data.

Data presented in Omron Company websites, catalogs and other materials is provided as a guide for the user in determining suitability and does not constitute a warranty. It may represent the result of Omron's test conditions, and the user must correlate it to actual application requirements. Actual performance is subject to the Omron's Warranty and Limitations of Liability.

Change in Specifications.

Product specifications and accessories may be changed at any time based on improvements and other reasons. It is our practice to change part numbers when published ratings or features are changed, or when significant construction changes are made. However, some specifications of the Product may be changed without any notice. When in doubt, special part numbers may be assigned to fix or establish key specifications for your application. Please consult with your Omron's representative at any time to confirm actual specifications of purchased Product.

Errors and Omissions.

Information presented by Omron Companies has been checked and is believed to be accurate; however, no responsibility is assumed for clerical, typographical or proofreading errors or omissions.

2024.11

In the interest of product improvement, specifications are subject to change without notice.

OMRON Corporation
Industrial Automation Company

<http://www.ia.omron.com/>

(c)Copyright OMRON Corporation 2024 All Right Reserved.