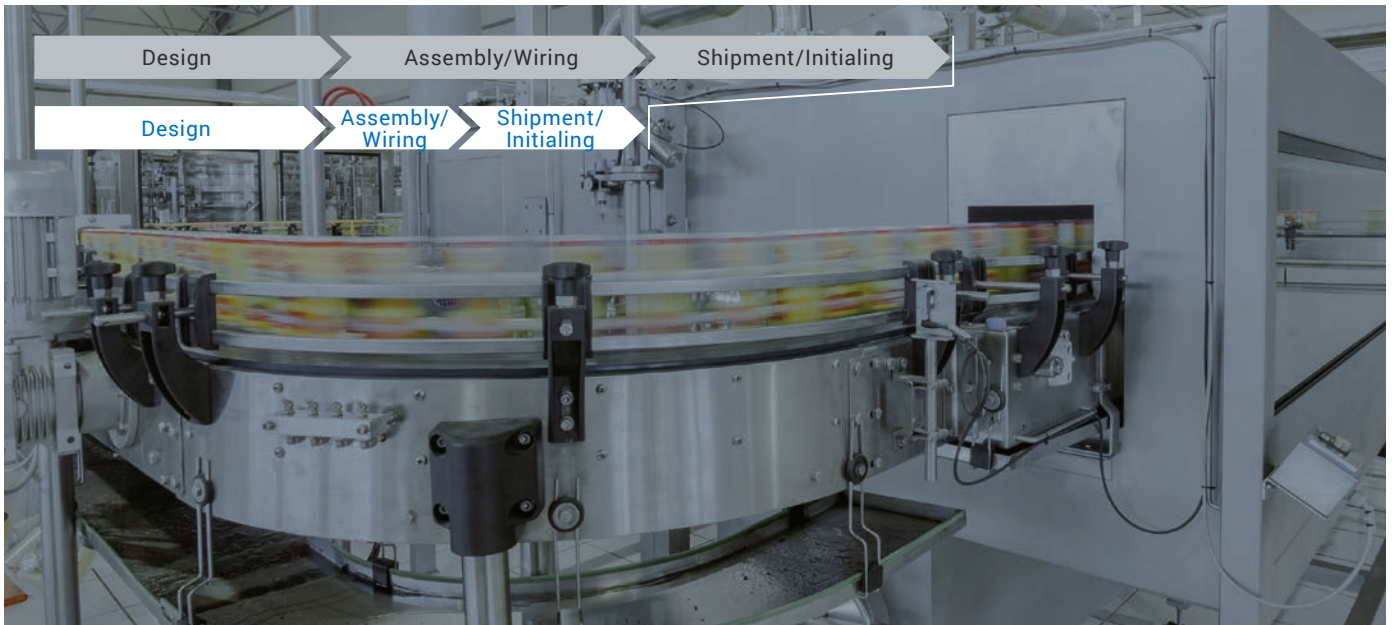


Reduced wiring

Shortening manufacturing/initialing period by streamlining on-site work on large equipment

Large-scale manufacturing lines have several self-standing control panels. More advanced production equipment means more component devices in control panels. This makes wiring increasingly complex, adding to the workload on the manufacturing site. It also takes substantial time to tighten screws following checks before and after equipment shipping and upon its initialing.



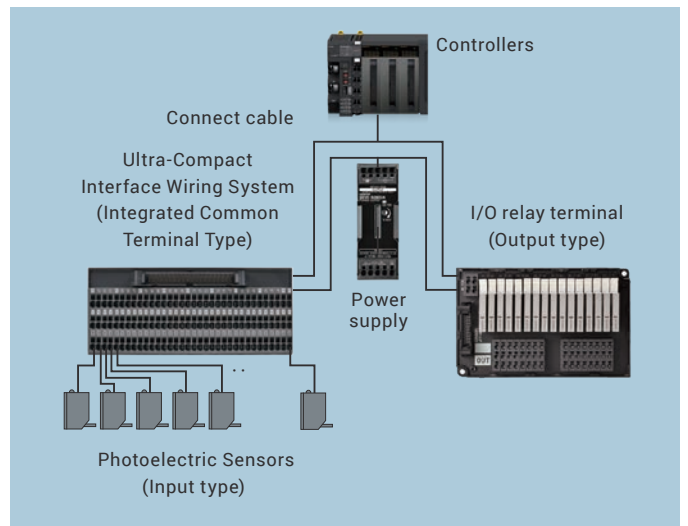
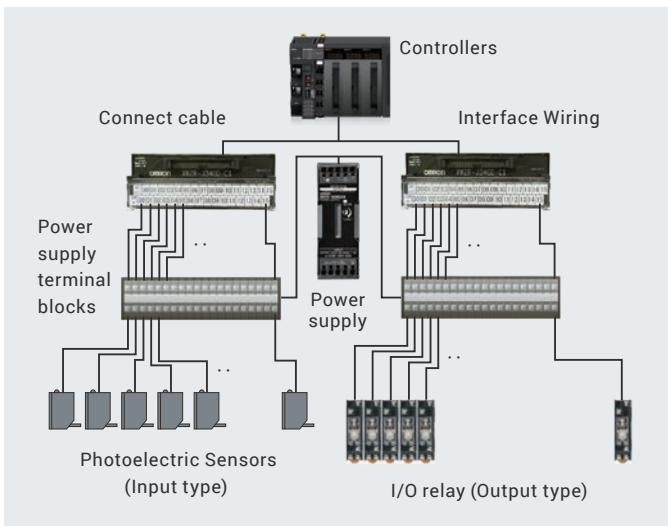
Reduce your workload by simplifying the task of wiring vast numbers of devices

Previous

In previous device configurations, relay terminal block and connector terminal block wiring was required for each and every relay and sensor, which called for massive wiring effort and considerable installation space.



Our G70V I/O Relay Terminals and XW2K Ultra-Compact Interface Wiring Systems eliminate the need for connecting relays, relay terminal blocks, and connector terminal blocks, thereby reducing effort and wiring. Those devices save space as well.



Reduce effort with our unique terminal blocks that enable easy insertion while preventing disconnection


OMRON Push-In Plus technology make wiring fast and easy for anyone

Greatly reducing wiring work

No need for retightening, even when vibration is applied on terminals


Push-In Plus technology requires only a single step, 60%* less wiring effort compared to screw terminals

Previous



1. Remove the screw
2. Connect with the terminal
3. Tighten the screw
4. Put a check mark
5. Retighten the screw


Value Design for Panel




1. Insert the terminal

*Information for Push-In Plus and Screw Terminal Blocks is based on OMRON's actual measurement data


Unique spring mechanism allows wiring to be inserted with little force and maintains firm grip once wire is inserted



No screw tightening or retightening required



No screws to become loose with vibration



Add more value to your control panel with our extensive product lineup

Omron offers an extensive lineup of Value Design for Panel products which require less space, effort, and workload compared to conventional products. By using multiple Value Design products together, you can boost the value of your control panel.

For more information, see our catalog "New Value for Control Panels" (Cat. No. Y218).



Note. "Value Design for Panel" is the concept underlying the specifications of Omron's control panel products. By using multiple Value Design products together, customers can add new value to their control panels.

- Some images are used under license from Shutterstock.com.
- Other company names and product names in this document are the trademarks or registered trademarks of their respective companies.
- The product photographs and figures that are used in this catalog may vary somewhat from the actual products.

Note: Do not use this document to operate the Unit.

OMRON Corporation Industrial Automation Company

Kyoto, JAPAN

Contact : www.ia.omron.com

Regional Headquarters

OMRON EUROPE B.V.
Wegalaan 67-69, 2132 JD Hoofddorp
The Netherlands
Tel: (31) 2356-81-300 Fax: (31) 2356-81-388

OMRON ELECTRONICS LLC
2895 Greenspoint Parkway, Suite 200
Hoffman Estates, IL 60169 U.S.A.
Tel: (1) 847-843-7900 Fax: (1) 847-843-7787

OMRON ASIA PACIFIC PTE. LTD.
438B Alexandra Road, #08-01/02 Alexandra
Technopark, Singapore 119968
Tel: (65) 6835-3011 Fax: (65) 6835-2711

OMRON (CHINA) CO., LTD.
Room 2211, Bank of China Tower,
200 Yin Cheng Zhong Road,
PuDong New Area, Shanghai, 200120, China
Tel: (86) 21-5037-2222 Fax: (86) 21-5037-2200

Authorized Distributor:

©OMRON Corporation 2021-2022 All Rights Reserved.
In the interest of product improvement,
specifications are subject to change without notice.

Cat. No. Y244-E1-03 1222(0621)