

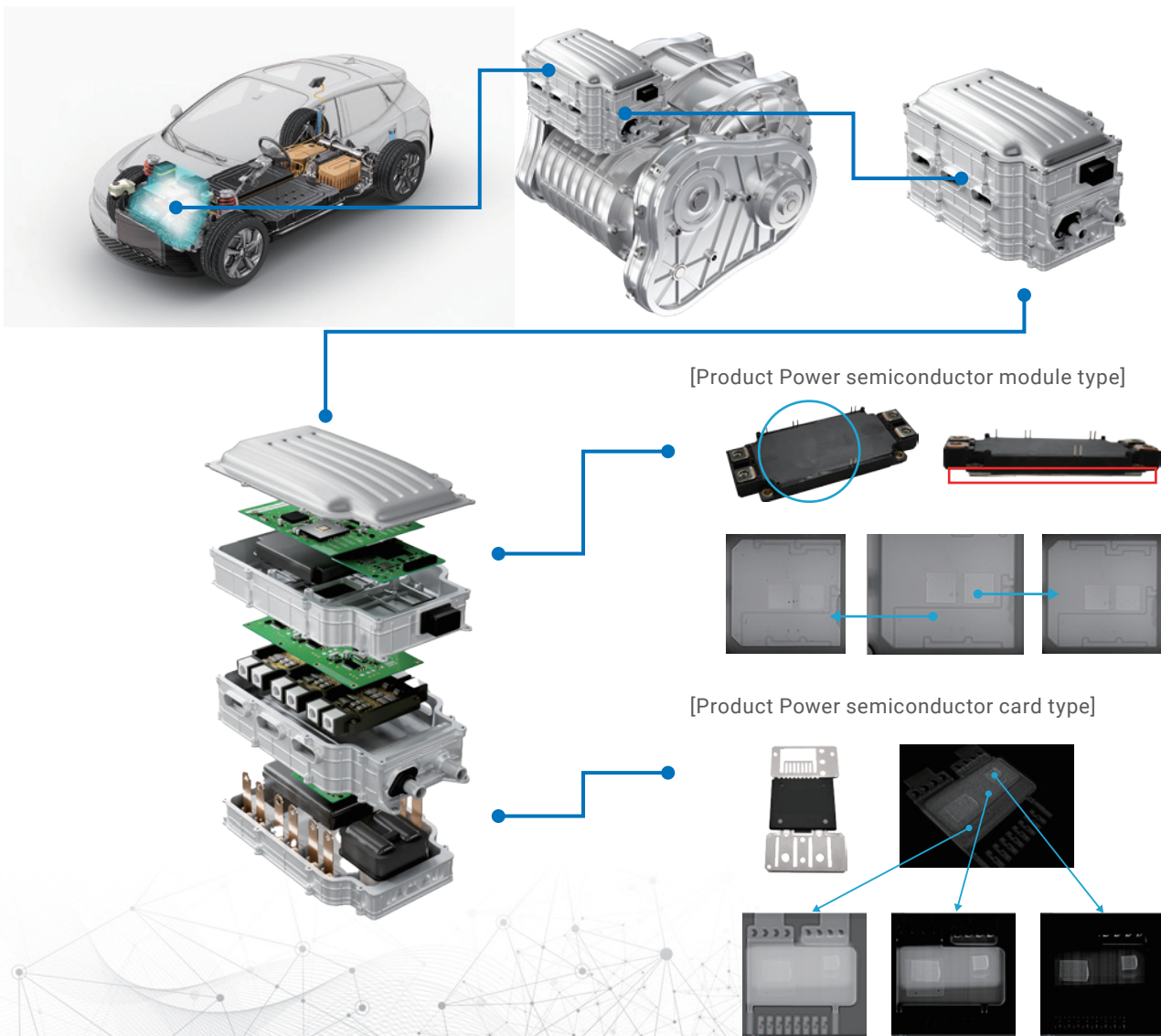
# The automated In-Line Heavy Capacity CT X-Ray inspection system



# Specifically designed to meet the inspection needs of the EV industry

## High Powered X-Ray

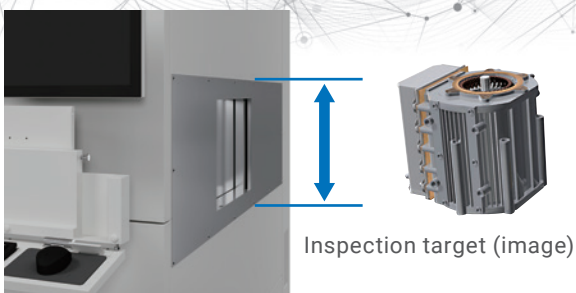
Higher powered closed X-Ray tube enables better contrast and imaging for thick applications such as Insulated Gate Bipolar Transistors (IGBTs), EV Power Modules, and eAxle.



[Product Power semiconductor module type]

[Product Power semiconductor card type]

## Increased Loading Capacity

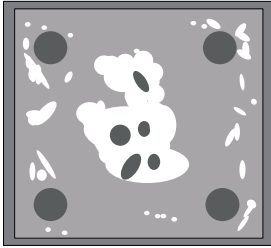


The VT-X850 is built with stronger conveyors, stronger motors, and larger doors to accommodate heavier samples such as Power semiconductor(card type/module type)and eAxle modules.

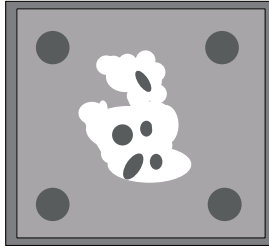
## AI Enhanced Inspection Algorithms

By harnessing advanced AI image analysis techniques, the automated inspection logic effortlessly identifies and highlights defects, enabling operators of varying skill levels to easily comprehend and interpret the results.

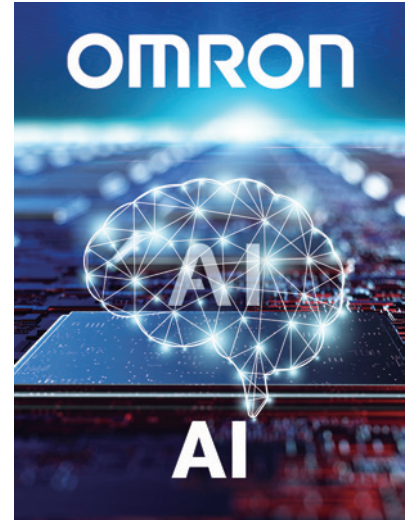
Default Logic



AI Enhanced Logic



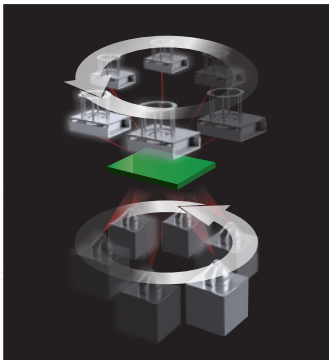
AI clearly separates noise and inspection target (void) and assists human judgment.(image)



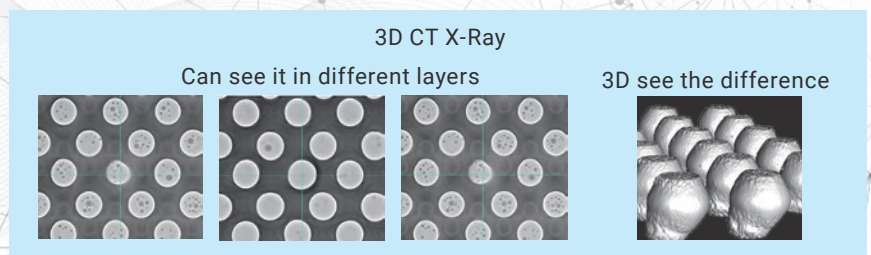
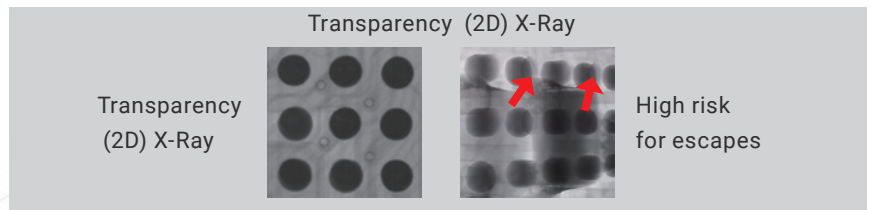
## Benefits of Omron 3D CT X-Ray technology

### The Omron CT Advantage

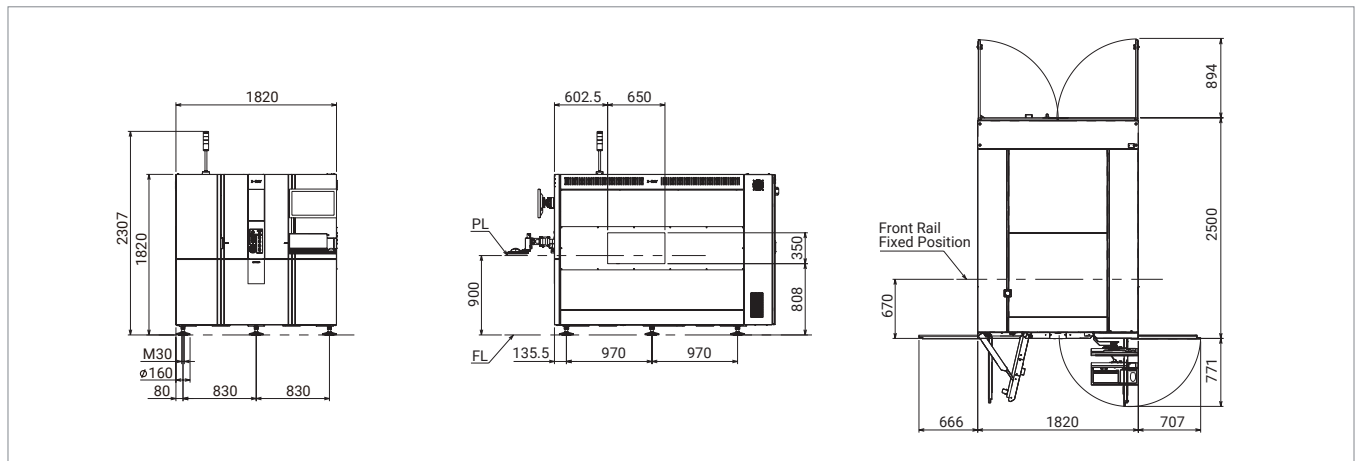
Increasing automated inspection speed and expanding inspection logic enables full, in-line inspection coverage by 3D-CTmethod.



### CT provides industry-leading image quality and defect detection



# Outline dimensional drawing



## Hardware Configuration/Functional Specifications

Item		Description		
Model		VT-X850		
Type		T1	T2	T3
Inspection object		Power devices, etc.	Power device, Inserted components, Press-fit, Connectors, etc.	Inserted components, Press-fit, Connectors, etc.
Inspection items		Voids, bridges, through-hole solder filling, foreign matter/solder scraps, presence/absence of leads, etc. (selectable depending on the object to be inspected)		
Imaging system	Imaging system	3D-slice imaging by using parallel CT		
	Imaging resolution	15,20,25,30µm Selectable by inspection target	25,30µm Selectable by inspection target	
	X-ray source	Micro-focus closed tube		
	X-ray detector	Flat panel detector		
Inspection target	Workpiece size	150×100±0.2 ~ 610×400±0.2mm	150x100±0.2 ~ 610x515±0.2mm	
	Workpiece thickness	1.00mm~5.00mm		
	Workpiece weight	Less than 40.0kg		
	Workpiece height*	90mm	230mm (Optional: 265mm)	335mm
Main body	Dimensions	1,820 (W) × 2,500 (D) × 1,820 (H) mm (excluding protrusions, signal towers, and displays)		
	Weight	Approx. 5,500kg		
	Conveyor height	900mm±20mm		
	Power supply	Single phase 200/208/220/230/240 VAC, 50/60Hz		
	Rated power	3.3kVA		
	X-ray leakage	Less than 0.5 µSv/h		
	Air supply	0.4~0.6MPa		
	Safety standard	CE,UKCA,KC * Acquiring		

\*(including the sum of top and bottom, warp, deflection, and internal board)

- The application examples described in this brochure are for reference only. Please check the functions and safety of the equipment before using it
- When using in conditions or environments not described in this brochure, or for applications such as nuclear energy control systems, railroad systems, aviation systems, vehicles, combustion systems, medical equipment, amusement machines, safety equipment and others that could present a risk to life or property, Omron assumes no guarantee regarding the products except in the case of special product uses identified by Omron or with special agreement.
- When exporting (or providing to non-residents) this product, its parts or technology falling under the categories of export permissions or approved cargo (or technology) stipulated in the Foreign Exchange and Foreign Control Trade Law, an export permission and approval (or permission for service transaction) shall be necessary based on the same law.

## OMRON Corporation

**INDUSTRIAL AUTOMATION COMPANY  
INSPECTION SYSTEMS BUSINESS DIVISION  
SALES DEPARTMENT**  
Shinagawa Front Bldg. Conference 7F  
2-3-13 Kounan Minato-ku Tokyo  
108-0075 JAPAN  
TEL +81-3-6718-3550 FAX:+81-3-6718-3553

### OMRON INDUSTRIAL AUTOMATION (CHINA) CO., LTD.

F20,TowerA,NEO Building,6011ShennanAvenue,  
Futian District, Shenzhen, Guangdong 518048, China  
TEL:+86-755-8359-9028 FAX:+86-755-8359-9628

### Omron AOI Business Europe, Omron Europe B.V.

Zilverenberg 2, 5234 GM 's-Hertogenbosch,  
The Netherlands  
TEL:+31(0)736 481811 FAX:+31(0)736 481879

### OMRON TAIWAN ELECTRONICS INC.

9F-1, No.8, Ziqiang S. RD., Zhubei City, Hsinchu  
County 302, Taiwan R.O.C.  
TEL: +886-3-667-5557 FAX: +886-3-667-5558

### OMRON ELECTRONICS KOREA CO.,LTD.

21F, KyoboTower B Wing, 465, Gangnam-daero,  
Seocho-gu, Seoul, Korea 137-920  
TEL:+82-2-3483-7789 FAX:+82-2-3483-7788

### Omron Asia Pacific Pte Ltd

438B Alexandra Road #08-01/02  
Alexandra Technopark, Singapore 119968  
Tel:(65)6835-3011 Fax:(65)6835-2711

### Omron Automation Pvt. Ltd.

The Qube, 5th Floor, Unit No. 501-504 MV Road,  
Marol, Andheri (East), Mumbai - 400 059, India  
Fax: (91-22) 7115 5602

### OMRON ELECTRONICS LLC

2895 Greenspoint Parkway, Suite 200,  
Hoffman Estates, IL 60169, U.S.A  
TEL:(1) 847-843-7900 FAX:(1) 847-843-7787

Authorized Distributor: