

Improved design for better visibility and clarity



New and improved design for easier use, setting and maintenance

The H7CC series improves overall user experience through better visual feedback and operation, user interface and predictive remaining lifetime of counter.

The improved user interface is intuitive and offers better overall visibility

White LCD display and color universal design offer better visual clarity and visibility

Sharp white text prevents misreading of display information.

6-digit up/down keys for better user-interface



User interface streamlined to accomplish most operations in approximately half the number of button operations¹

Intuitive LED user-interface guide

Examples of LED display LED guides configuration range

Input mode (CNTM)/setting a mode

Startup time (STMR)/setting 3 digits

Prescale value (PSCL)/setting 5 digits

Intuitive interface informs users of mode configuration, number of digits, etc. allowing for easy operation.

Button LED's flash to indicate keys being operated

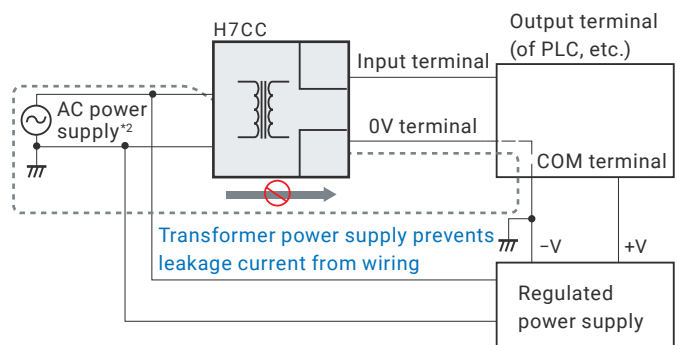
LED flash allows for reliable operation in dark environments

At-a-glance view of count progress

Count progress is displayed in "levels," allowing for visibility even from a distance.

Optimized wiring design

Power supply and input have been isolated, eliminating special considerations for installation or leakage current.

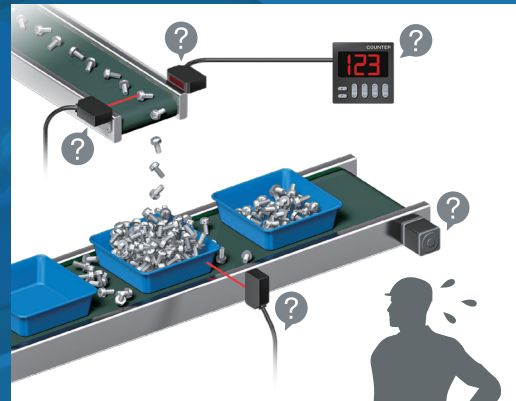


Replacement time notification function notifies the user of potential preventive maintenance

FROM

Have you ever looked at a counter to find that it has stopping functioning properly?

When a counter's service life expires, there are multiple ways it can potentially fail. For example, it may stop suddenly or become incapable of performing certain control functions. Preventative maintenance to avoid such mechanical failures or identifying the cause when such a failure occurs, may require a significant effort and time.



A single error may have several contributing factors

TO

Prevents unexpected downtime by communicating device replacement timing

When an H7CC Series counter reaches its replacement time, it will visually notify the user via its display by flashing the count value and "RPLC" alternately in one second intervals.

Alert message displayed

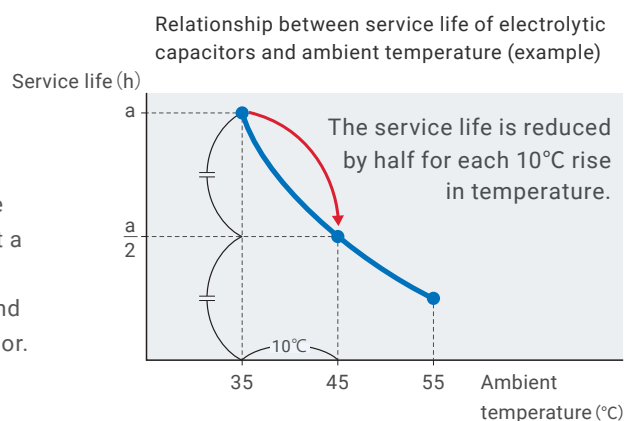


Tool for easily calculating counter replacement time

The rate at which an electrolytic capacitor deteriorates varies according to its use environment. Omron offers a tool that allows you to easily calculate your H7CC counter's replacement time, according to the conditions your using it in. Please refer to our website for more details.

Control devices, including counters, have a limited service life

Each counter has its limited service life. The standard service life of a relay output contact is 100,000 operations. Factoring in the deterioration of the built-in electrolytic capacitors, Omron recommends that a counter be replaced approximately every 7 to 10 years depending on environment. A counter that is used beyond its service life may fail, potentially emitting smoke or odor.



*1. Compared with the previous products

*2. The AC power supply ground is on the commercial power supply side.

List of Models

Type	Classification	Configuration	External connections	Settings	Display digits	Outputs	Power supply voltage	Model	
H7CC-A Series	Preset counter	<ul style="list-style-type: none"> • 1-stage preset counter • Total and preset counter 	8-pin socket	1-stage	6 digits	Contact output(SPST)	100 to 240 VAC	H7CC-A8	
			11-pin socket			Contact output(SPDT)	24 VAC/12 to 48 VDC	H7CC-A8D	
						Transistor output(SPST)		100 to 240 VAC	H7CC-A11
						Contact output(SPDT)		24 VAC/12 to 48 VDC	H7CC-A11D
						Transistor output(SPST)			H7CC-A11SD
						Contact output(SPDT)		100 to 240 VAC	H7CC-A
						Transistor output(SPST)			H7CC-AS
	Contact output(SPDT)	24 VAC/12 to 48 VDC	H7CC-AD						
	Transistor output(SPST)		H7CC-ASD						
	Preset counter/ Tachometer	<ul style="list-style-type: none"> • 1-stage preset counter • 2-stage preset counter • Total and preset counter • Batch counter • Dual counter • Twin counter • Tachometer 	Screw terminals	2-stage		Contact output (SPST+SPDT)	100 to 240 VAC	H7CC-AW	
						Transistor output (DPST)		H7CC-AWS	
						Contact output (SPST+SPDT)	24 VAC/12 to 48 VDC	H7CC-AWD	
						Transistor output (DPST)		H7CC-AWSD	
						Contact output(SPST)+ Transistor output(SPST)	100 to 240 VAC	H7CC-AU	
					24 VAC/12 to 48 VDC	H7CC-AUD			
H7CC-R Series					Tachometer	• Tachometer	11-pin socket	1-stage (1 input and output)	100 to 240 VAC
		24 VAC/12 to 48 VDC	H7CC-R11D						
	1-stage (2 inputs and 2 outputs)	100 to 240 VAC	H7CC-R11W						
		24 VAC/12 to 48 VDC	H7CC-R11WD						

Key protect function

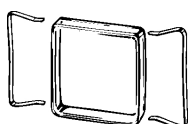
The key protect function prevents failures caused by incorrect operations or settings.

Related catalogs

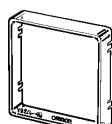
For product details and additional options and information beyond those described in this catalog, please refer to the datasheets for individual products.

Accessories(Order Separately)

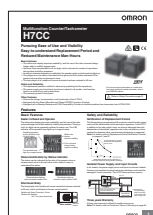
Soft cover
Y92A-48F1



Hard cover
Y92A-48



Cover can be cleaned using alcohol.



H7CC
Datasheet

Cat.M094-E1



H5CX-□-N
Pamphlet

Cat.L113-E1



H5CX-□-N
Datasheet

Cat.L111-E1

OMRON Corporation Industrial Automation Company
Kyoto, JAPAN

Contact: www.ia.omron.com

Regional Headquarters

OMRON EUROPE B.V.
Wegalaan 67-69, 2132 JD Hoofddorp
The Netherlands
Tel: (31)2356-81-300/Fax: (31)2356-81-388

OMRON ASIA PACIFIC PTE. LTD.
No. 438A Alexandra Road # 05-05/08 (Lobby 2),
Alexandra Technopark,
Singapore 119967
Tel: (65) 6835-3011/Fax: (65) 6835-2711

OMRON ELECTRONICS LLC
2895 Greenspoint Parkway, Suite 200
Hoffman Estates, IL 60169 U.S.A.
Tel: (1) 847-843-7900/Fax: (1) 847-843-7787

OMRON (CHINA) CO., LTD.
Room 2211, Bank of China Tower,
200 Yin Cheng Zhong Road,
PuDong New Area, Shanghai, 200120, China
Tel: (86) 21-5037-2222/Fax: (86) 21-5037-2200

Authorized Distributor:

© OMRON Corporation 2020 All Rights Reserved.
In the interest of product improvement,
specifications are subject to change without notice.

Cat. No. M095-E1-01

1120 (1120)